



Quality, Honesty, Service and Innovation



IP

-SERIES

LED POST TOP LIGHT

UP TO **18000 LM**

● POWER: 25W/50W/75W/120W/150W

EXPERTS WITH
PROFESSIONAL SOLUTION

WWW.AOKLEDLIGHT.COM
2019.09-3rd Edition

CONSTRUCTIONS

- Heavy-duty die-cast aluminum housing.
- Clean, smooth design blending harmoniously into outdoor environments.
- UV stabilized polyester powder paint finish for durability and corrosion resistance.
- Multiple mounting options: Post top I&II, side entry and cable suspending installation available.

OPTICAL SYSTEM

- Precision engineered individual lenses made of optical grade Mitsubishi polycarbonate for maximum light intensity, with Tempered Glass Cover to protect the optics.
- Micro-lens systems produce IESNA Type V distributions.
- Delivers improved visual comfort by lower glare and providing a wider smoother and more uniform light output.
- Optical systems maintain an IP66 rating.
- Available in 2700K, 3000K, 4000K, 5000K, 5700K, 6500K CCT.
- Cutoff classification: Cutoff, no up-light pollution.
- Minimum CRI of 70, 80, and 90 optional.

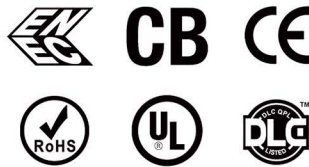
ELECTRICAL

- 1-10V/ PMW/ timer dimming, 3 timer modes, Dim-to-Off with standby power <= 0.5W.
- Constant current Inventronics driver (For North America) or Meanwell driver (For Europe), 100-277Vac, 50-60Hz.
- High efficiency driver: up to 93.5%, minimum efficiency 87.5%.
- Operating temperature rating of -40°F to 122°F (-40°C to 50°C).
- Class I or Class II optional.

FINISH

- Rugged, weather-tight design and 3G vibration ratings ensure durability even in harsh environments.

CERTIFICATES/LISTING

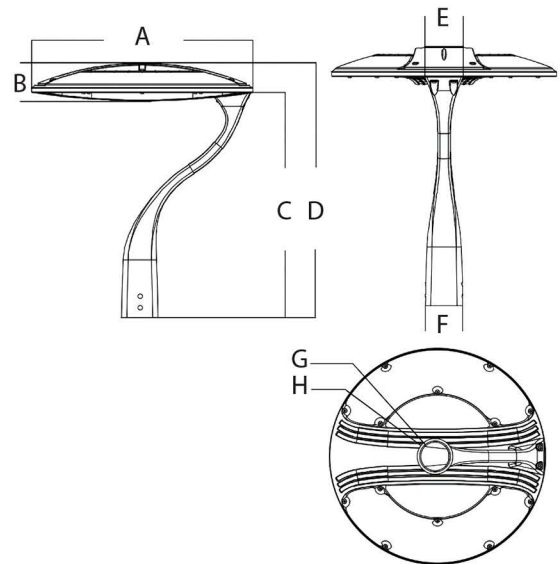


up to 135lm/w

IP SERIES



FIXTURE DIMENSIONS



A	B	C	D
φ 460mm/18.11"	80mm/3.15"	468mm/18.44"	530mm/20.86"
E	F	G	H
78mm/3.08"	76mm/2.99"	φ 66mm/2.6"	φ 76mm/2.99"

ORDERING INFORMATION

<input type="text"/>	-	<input type="text"/>	-	<input type="text"/>	-	<input type="text"/>	-	<input type="text"/>	-	<input type="text"/>	-	<input type="text"/>		
WATTS		VOLTAGE		LED CHIPS		TYPE OF SENSOR		CCT&CRI		DISTRIBUTION		HOUSING		OPTIONS
25WiP 50WiP 75WiP 120WiP 150WiP		NV=100-277V HV=347/480V		L3=LUXEON3030		00=Without Sensor SN=Sensor PH=Photocell DV=Dimmable		2780=2700K 80CRI 3070=3000K 70CRI 4070=4000K 70CRI 5070=5000K 70CRI 5770=5700K 70CRI 3080=3000K 80CRI 4080=4000K 80CRI 5080=5000K 80CRI 5780=5700K 80CRI		T4=TYPE IV T5=TYPE V		SG=Silver Gray BK=Black		10KV SPD 20KV SPD R3= 3 Pin Receptacle R7= 7 Pin Receptacle

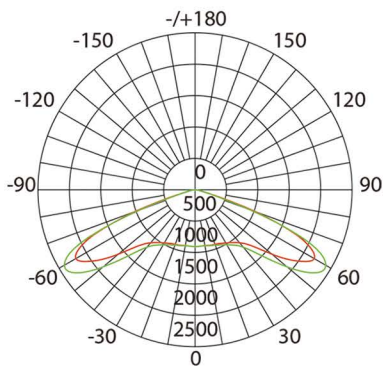
TECHNICAL SPECIFICATIONS (FOR NORTH AMERICAN MARKET)

MODEL	REPLACEMENT	WATTS	LUMINAIRE LUMEN OUTPUT	OPTIC	IP & IK	NW	CERTIFICATION
25WiP	75W	25W	3417	TYPE IV, TYPE V	IP66 & IK09	19.6lbs (8.9kg)	UL cULus DLC Standard
50WiP	150W	50W	6402	TYPE IV, TYPE V	IP66 & IK09	19.6lbs (8.9kg)	
75WiP	200W	75W	9750	TYPE IV, TYPE V	IP66 & IK09	21.8lbs (9.9kg)	
120WiP	350W	120W	13800	TYPE IV, TYPE V	IP66 & IK09	22.5lbs (10.2kg)	
150WiP	400W	150W	18000	TYPE IV, TYPE V	IP66 & IK09	22.5lbs (10.2kg)	

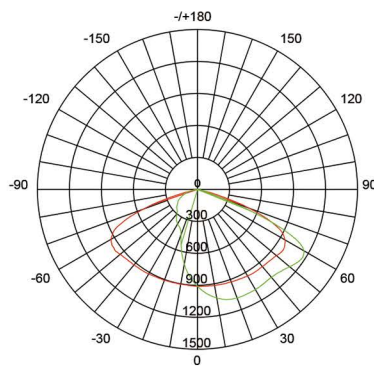
FOR EUROPEAN MARKET

MODEL	REPLACEMENT	WATTS	LUMINAIRE LUMEN OUTPUT	OPTIC	IP & IK	NW	CERTIFICATION
25WiP	75W	25W	3417	TYPE IV, TYPE V	IP66 & IK09	19.6lbs (8.9kg)	ENEC CB CE RoHS
50WiP	150W	50W	6402	TYPE IV, TYPE V	IP66 & IK09	19.6lbs (8.9kg)	
75WiP	200W	75W	9750	TYPE IV, TYPE V	IP66 & IK09	21.8lbs (9.9kg)	
120WiP	350W	120W	13800	TYPE IV, TYPE V	IP66 & IK09	22.5lbs (10.2kg)	
150WiP	400W	150W	18000	TYPE IV, TYPE V	IP66 & IK09	22.5lbs (10.2kg)	

PHOTOMETRY



UNIT:cd
 — C0/180 Ic:905.3 — C90/270 Ic:905.3
 73.0,73.0 72.2,72.2



— C0/180,142.2° Ic:909.4 — C90/270,84.4° Ic:1085

COLOR TEMPERATURE

COLOR TEMPERATURE (CCT)	CRI (NOMINAL)	MULTIPLIER
4000	70	1.00
3000	70	0.91
2700	80	0.89

All published Luminaire photometric testing performed to IESNA LM-79-08 standards by a NVLAP accredited Laboratory.

INSTALLATION OPTIONS



CABLE SUSPENDED



SIDE ENTRY



POST TOP I



POST TOP II