



OFS

-SERIES

**LED FLOOD LIGHT / SPORT LIGHT
STADIUM LIGHT/ HIGH MAST**

UP TO **170LM/W**

1500W MHL REPLACEMENT

● POWER: 300W/400W/460W

**EXPERTS WITH
PROFESSIONAL SOLUTION**

WWW.AOKLEDLIGHT.COM
2019.09-3rd Edition

SPECIFICATIONS

- oFS series is designed for exterior sports lighting, a superior high output, high efficiency LED flood light, featuring a unique optical design that virtually eliminates glare with minimal impact on performance. It is available in a variety of flood distributions for lighting applications such as large areas, port and rail centers, exterior sports.

CONSTRUCTION

- Heavy duty die-cast aluminum housing;
- Driver compartment can be either installed onto or separated from the light fixture;
- Light engine is thermally isolated from driver component;
- UV stabilized polyester powder paint finish;
- Horizontal and vertical aiming.

OPTICAL / ELECTRICAL

- Four distributions to maximize performance: 15°, 30°, 60°, 90°;
- -40 °C ~ 50 °C operating temp range;
- 20KV surge protection device standard;
- 1-10V dimming driver standard;
- 100-277V operation 50/60HZ standard, 200-480V 50/60HZ optional.

ADJUSTABLE BRACKETS

- Vertical and horizontal angle indicator available.

UNIFIED GLARE RATING

- Glare has always been a concern with LED products and it has got increasingly more attention with higher output fixtures. The standard low glare shield blocks lights outside of the main beam, so from other viewing angles the fixture virtually disappears. The low glare shields are also designed to have minimum impact on the total light output.

FINISH

- Rugged, weather-tight design and 3G Vibration ratings ensure durability even in harsh environments.

LED

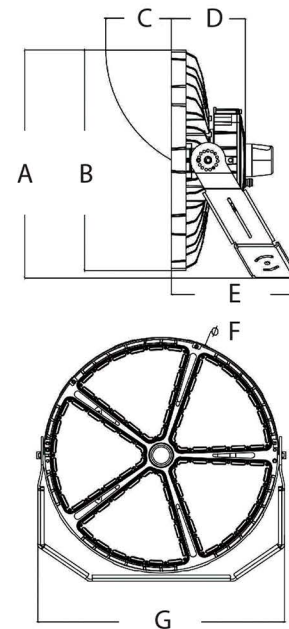
- Modular optical assemblies enable 3 unique performance packages;
- 50K lumens, 300Watts;
- 60K lumens, 400Watts;
- 70K lumens, 460Watts;
- 3000K, 4000K, 5000K, 5700K, 6500K CCT;
- Minimum CRI of 70, 80 and 90 optional.

up to 170lm/w

OFS SERIES



FIXTURE DIMENSIONS



A	B	C	D
57.3cm/23"	φ55.4cm/22"	16.5cm/6"	18.6cm/7"
E		F	
31.3cm/12"		55.6cm/22"	
			G
			58.1cm/23"

CERTIFICATIONS/LISTINGS

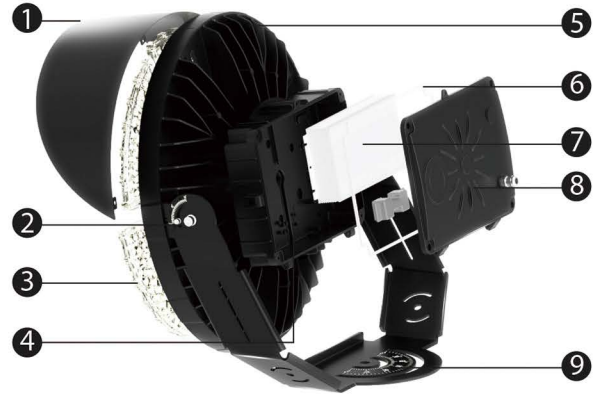


ORDERING INFORMATION

AOK	-	-	-	-	-	-	-	-	-	-
WATTS	VOLTAGE	LED CHIPS	TYPE OF SENSOR	CCT&CRI	DISTRIBUTION	DRIVER	MOUNT	OPTIONS	HOUSING	
300WoFS	NV=100-277V	L5=LUMILEDS5050	00=Without Sensor	3070=3000K 70CRI	15D=15deg	INTEGRAL	UNDER MOUNT YOKE	10KV SPD	BK=Black	
400WoFS	HV=347/480V	O5=OSRAM5050	SN=Motion sensor	4070=4000K 70CRI	30D=30deg	REMOTE		20KV SPD		
460WoFS			PH=Photocell	5070=5000K 70CRI	60D=60deg					
			DV=Dimmable	5770=5700K 70CRI	90D=90deg					
				3080=3000K 80CRI						
				4080=4000K 80CRI						
				5080=5000K 80CRI						
				5780=5700K 80CRI						

CONSTRUCTION FEATURES OF OFS SERIES

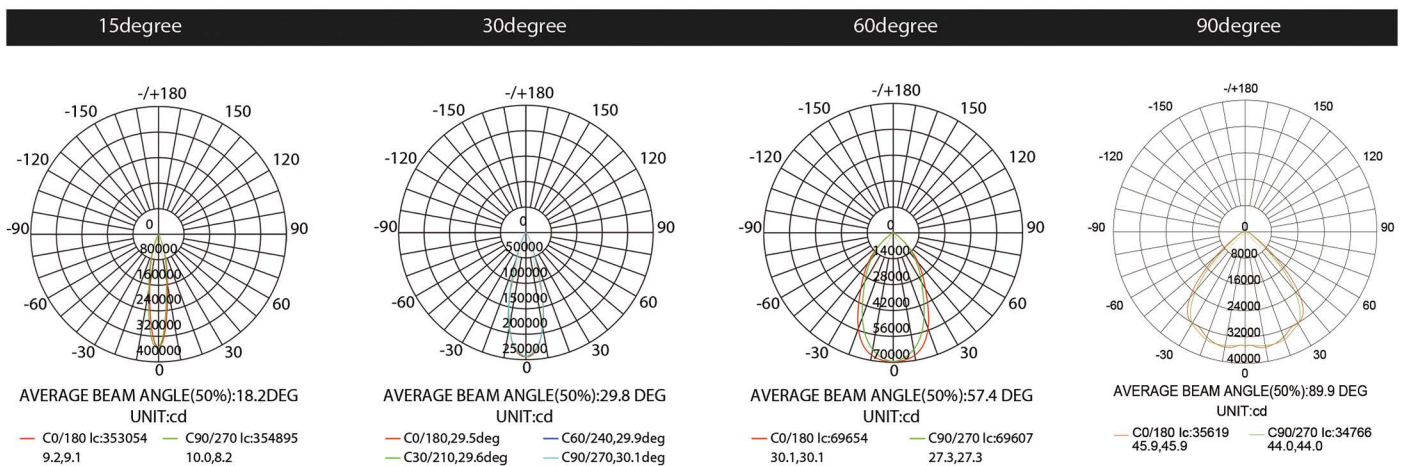
1. Light shield
2. Tilttable arm
3. Light source: top level performance LEDs, system efficacy up to 170lm/w
4. Space reserved for photocell sensor
5. Die casting fixture body
6. Gasket
7. Top level performance driver 1-10V dimmable
8. Driver box cover
9. 0 - ±90° Rotatable bracket



TECHNICAL SPECIFICATIONS @ 5000K

MODEL	WATTS	REPLACE MHL	LUMINAIRE LUMEN OUTPUT / OPTICS	IP & IK	FIXTURE DIMENSION	NW
300WoFS	300	1000W	45925lm / 15° 51536lm / 30° 50487lm / 60° 49687lm / 90°	IP66&IK10	23*12*23" (58*31*58cm)	44lbs(20kgs)
400WoFS	400	1200W	56222lm / 15° 65915lm / 30° 65032lm / 60° 62942lm / 90°	IP66&IK10	23*12*23" (58*31*58cm)	44lbs(20kgs)
460WoFS	460	1500W	61112lm / 15° 73004lm / 30° 74136lm / 60° 70446lm / 90°	IP66&IK10	23*12*23" (58*31*58cm)	44lbs(20kgs)

PHOTOMETRY



SPECIFICATIONS AND DETAILS ARE SUBJECT TO CHANGE WITHOUT NOTIFICATION, CONTACT AOK FOR UP-TO-DAET DETAILS.

LOADING	
WEIGHT(LBS)	44
EPA HORIZONTAL	3.3
EPA 25DEG DOWN	3.05



HIGH MAST LIGHTING

