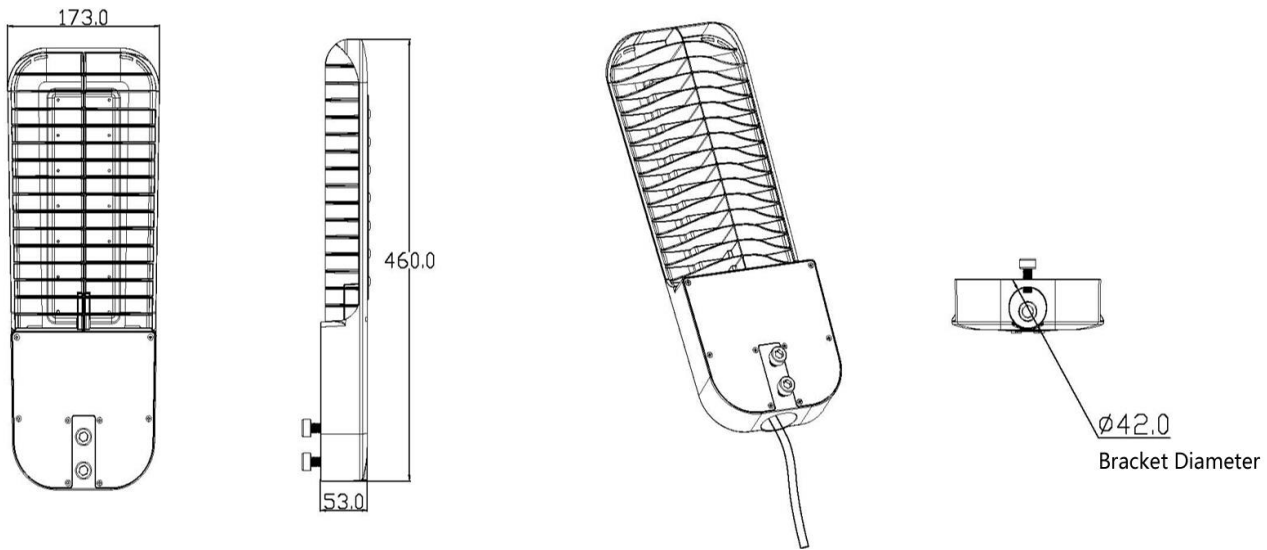


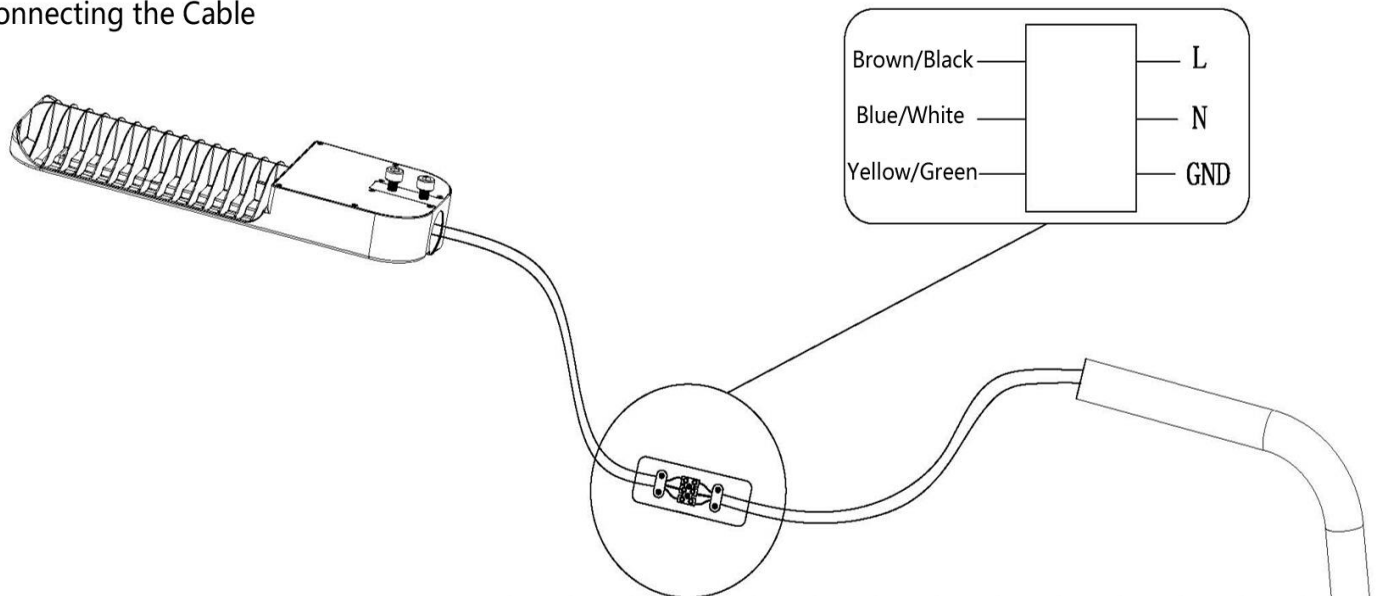
No.	Model Name	Rated Power	Operating Voltage	Color Temperature	CRI	Lifespan	Net Weight
1	AOK-20WiM	20W	AC90-305V 50/60Hz	3000/4000/5000/5700/6500K	Ra≥70	50000h	2.5Kg
2	AOK-30WiM	30W	AC90-305V 50/60Hz	3000/4000/5000/5700/6500K	Ra≥70	50000h	2.5Kg
3	AOK-40WiM	40W	AC90-305V 50/60Hz	3000/4000/5000/5700/6500K	Ra≥70	50000h	2.55Kg
4	AOK-50WiM	50W	AC90-305V 50/60Hz	3000/4000/5000/5700/6500K	Ra≥70	50000h	2.55Kg

Outer Dimension: (mm)

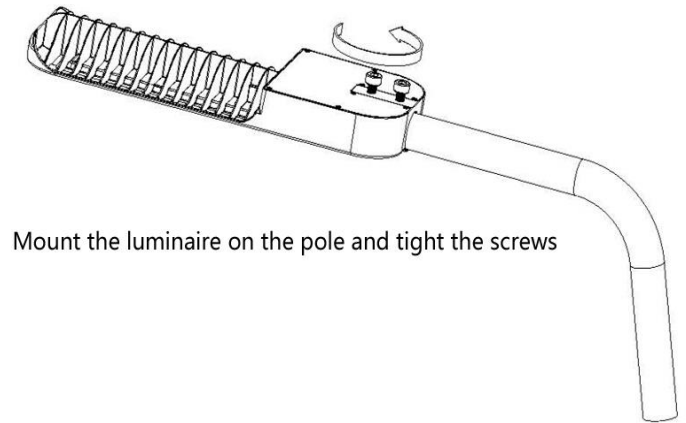
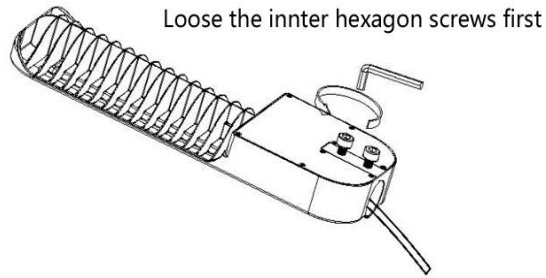


Cable Connecting:

Connecting the Cable



Mounting the Fixture:



Maintenance:

1. The periodically cleaning can maintain the performance of the luminaire. Only clean the fixture with soft cloth;
2. Cut-off the power supply before proceeding maintenance;
3. Only the professional personel can proceed the maintenance;
4. The connector of the power supply has to be water isolated. The luminaire has to connect the ground.