

# AAB Solar Street Light

## AAB-I & AAB-IS series Instruction Manual

### 1.Suit for bellow 20W of AAB-I and AAB-IS series

1.1 Press ON/OFF on controller

1.2 Factory standard lighting mode:

A. 100% if people come close,30% far away for first 0-4hrs after dark.

B. 70% if people come close,30% far away from 5-7hrs after dark.

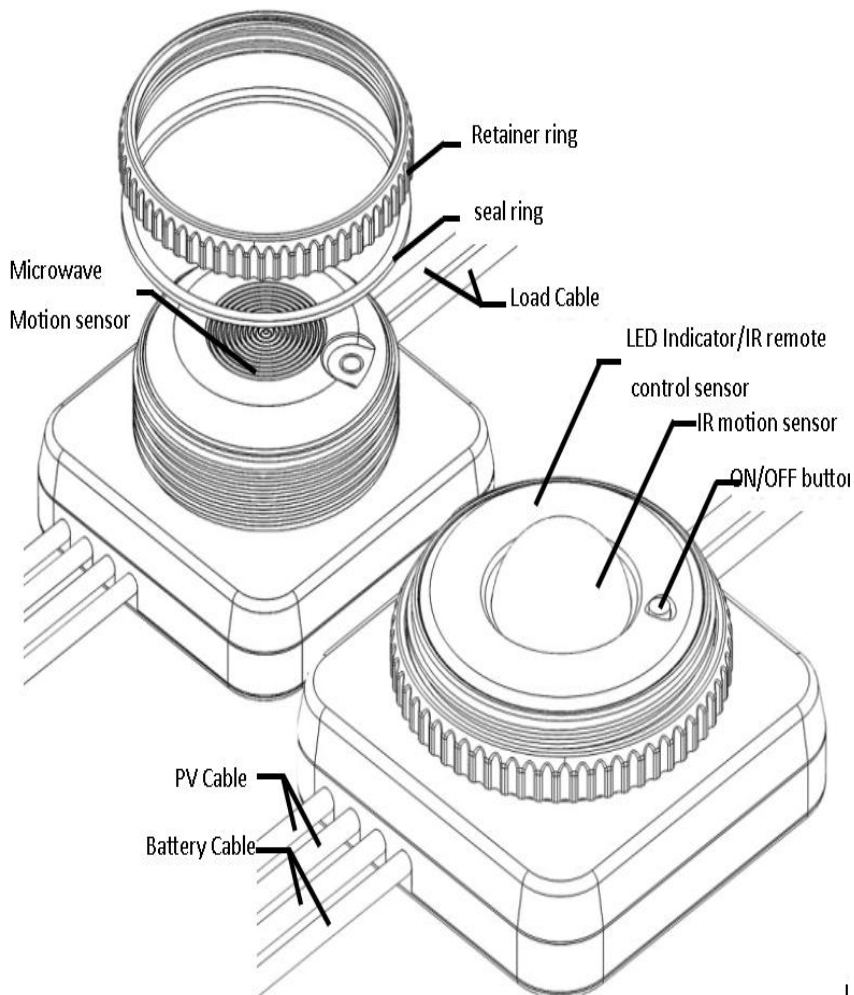
C. 50% if people come close,20% far away from 8-10hrs after dark.

D.30% if people come close,10% far away from 11-12hrs after dark.

Working method 1-12hrs repeat after dark or solar panel been covered.

PS: Smart Control on batteries, power would be adjusted automatically

1.3 Buttons instruction as following picture



## 2.Suit for above 20W of AAB-I and AAB-IS series

2.1 Press ON/OFF on small remote controller

2.2 Factory standard lighting mode:

A. 100% if people come close,30% far away for first 0-4hrs after dark.

B. 70% if people come close,30% far away from 5-7hrs after dark.

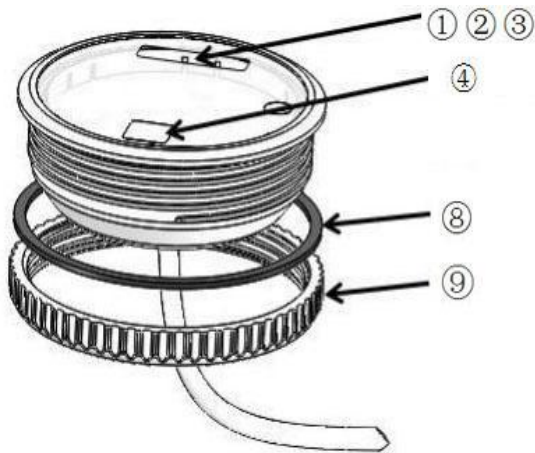
C. 50% if people come close,20% far away from 8-10hrs after dark.

D.30% if people come close,10% far away from 11-12hrs after dark.

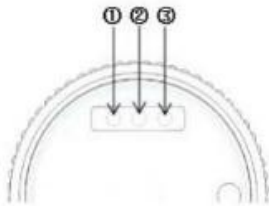
Working method 1-12hrs repeat after dark or solar panel been covered.

PS: Smart Control on batteries, power would be adjusted automatically

2.3 Picture of sensor and remote controller



## 3. LED Indicators



① PV Indicator

Color	Indication	Working State
Green	On Solid	PV is charging Battery
Green	Flash Fast	Battery Over Voltage, refer to Trouble shooting.
---	OFF	PV voltage is low

② Battery Indicator

Color	Indication	Working State
Green	On Solid	Battery is Normal
Green	Flash	Battery is full
Yellow	On Solid	Battery is under voltage
Red	On Solid	Battery is over-discharged, turn off Load auto

③ Load Indicator

Color	Indication	Working State
Yellow	On Solid	Load is ON
--	OFF	Load is off
Yellow	Flash Fast	Load short circuit or open circuit
Yellow	Flast Slow	Load led chaps series number is too low Or overload limited power output

#### 4.Small remote controller manual for power above 20W of AAB-I & AAB-IS

##### 1. OFF:

The ON/OFF lamp button(sleep button),after the lamp is off(in sleep mode),you can press button again to light up the lamp(out of sleep mode to active battery),or the battery can be activated automatically by continuous light from solar panel for 10 minutes.

##### 2. DEMO:

The button of demonstration test uses,after press,it will light up the lamp from the maximum current to the minimum current within 10 seco

#### Work Mode:

##### 3. L button:

Light control mode, woke mode according to the setting current (running current is sensor current,no sensor current NOT work), e.g. the whole night is 12 hours, if the setting time less

than 12 hours,the rest of the time will run with the minimum current as setting in remote control

to finish the whole night, if the setting time over than 12 hour,it will cut off the lamp after 12hours(the day is bright then).

##### 4. T button

Time control+Light control mode: the lamp will be on by light control,and running as the time

that you have set in the all time periods. For the current,it will run as sensor current(no

##### 5. M button

The motion sensor mode, it will work according to the setting for working time and current. In

the whole process, motion sensor is used to detect coming people, when people come,the lamp

will work as setting sensor current,when people left,the lamp will work as setting NO sensor

current,(sensor current will last for 10 seconds when people come as default,during the time,if

another people come again,the time will be recalculated again for another 10s).

##### 6. T+M button

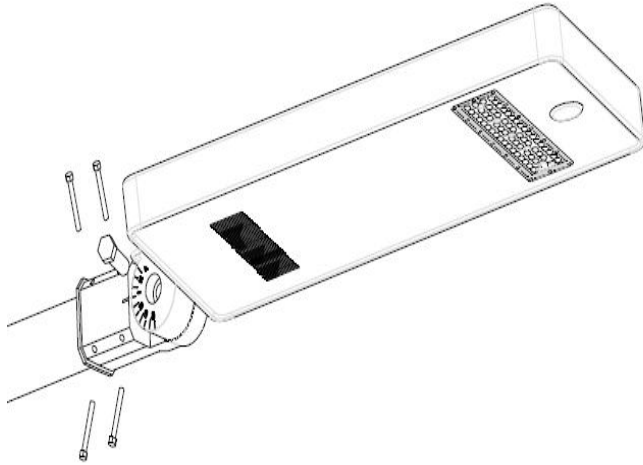
Time control+Motion Sensor mode,the first two time periods(total have 4 time periods),the lamp will be working according to the setting with motion sensor current(NO sensor current will not work in this two periods).

After these two periods finished,enter into Motion sensor work mode, motion sensor is used to detect coming people, when people come,the lamp will work as setting sensor current,when people left,the lamp will work as setting NO sensor current,(sensor current will last for 10seconds when people come as default,during the time,if another people

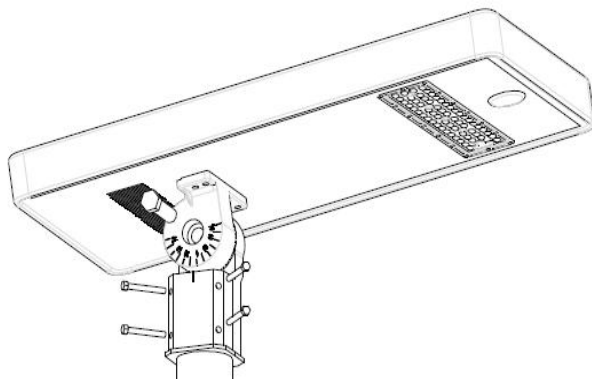


## 5.Installing way

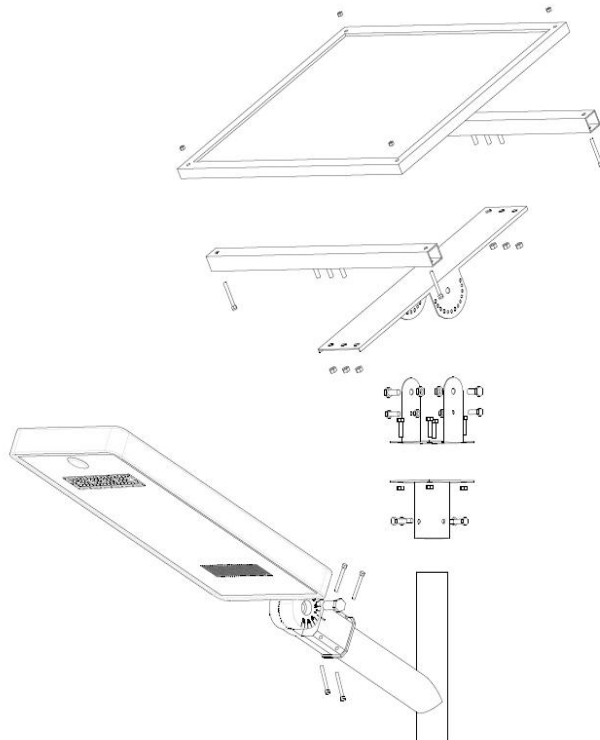
A:AAB-I 10W-40W & AAB-IS 15W-60W Pole dia.:60M



B: Suit for AAB-I 15W-40V'



C: AAB-IS Installing way



## 6.Height of Installing and working condition

6.1 Height of installing around 3M for power below 20W, 5M for power around 25W-60W.

6.2 Working Temperature: -20 to +70degree

AAB 太阳能灯  
AAB-I 10W  
认证：有的认证都写上去

英文

AAB Solar Street Light  
AAB-I 10W  
Certificate:EMC/ROHS/LVD/FCC

中文  
AAB 磷酸铁锂电池  
12.8V 12A

生产日期:

使用寿命2000-5000次

环境温度: 充电0-70度 放电-20-70度

警告: 严禁短路 投入水中 超温使用 防止撞击 不要拆xi及刺穿 以上均可能引起爆炸等危险

英文

AAB Lithium iron phosphate Battery (LiFePO<sub>4</sub>)

12.8V 12A

Manufacture date:

Lifespan:2000-5000times

Ambient Temperature:charge 0-70degree discharge -20-70degree

Warning/Strictly prohibit:

circuit

Put into the water

Overtemperature use

Prevent impact

Do not disassemble and pierce.

All of above may cause explosion and other dangers.

Short