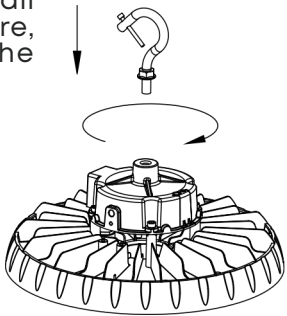


Installation Guide

This procedure is designed as an installation aid. Skilled tradespeople that are familiar with general construction and electrical installation techniques should perform the installation. Licensed electricians should provide electrical installation connections. Installations and connections should be done in accordance with all national and local codes and permits. In no way is this document intended to construe warranty or fitness of use of the products described, nor is it intended to provide safety instruction for those installing the product.

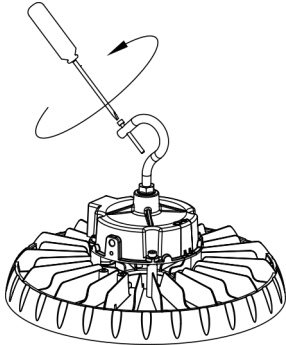
Hook Installation

Open the packaging, install the hook on the light fixture, and install the hook in the power hole



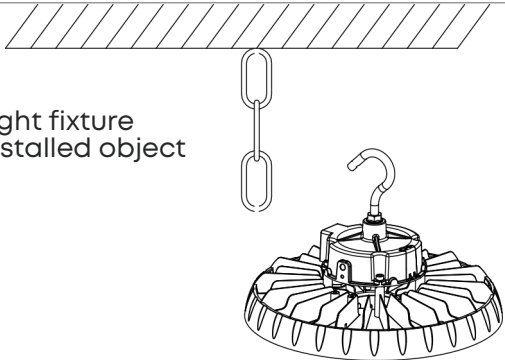
1

Use a screwdriver to remove the M5x40 screw from the hook



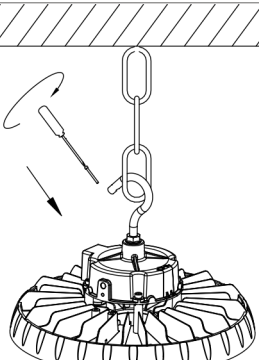
2

Hook the light fixture onto the installed object



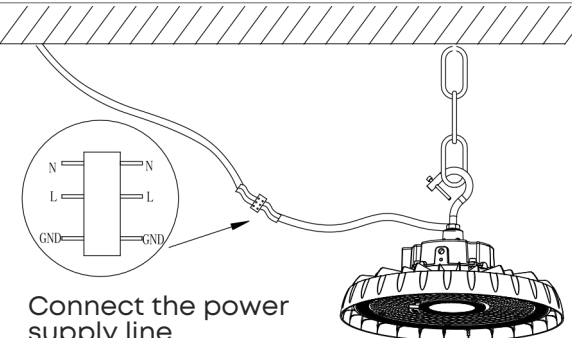
3

Use a screwdriver to secure the M5x40 screw onto the hook to prevent the light fixture from loosening



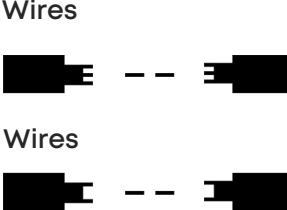
4

Connect the power supply line



5

Wires



Connect the wires

- *AC L (Brown or Black)
- *AC N (Blue or White)
- *AC (Green/Yellow or Black)

Wires

- Signal wires
- *DIM+ (Blue or Purple)
- *DIM- (White or Gray)

6

Before proceeding with installation or service maintenance of this product:

- Disconnect power to reduce electrical shock risk.
- Review the entire Installation Guide.
- Inspect this properly packaged product for any damage that may have occurred during transit.
- Verify product application complies with manufacturer design recommendations.
- Verify the availability of necessary tools and incidental material.
- Verify applicable code requirements. Field assembly and installation are subject to acceptance by local inspection authority.
- Appropriate safety equipment to be determined by end user, per applicable safety standards and precautions.

