

# LED Street Light Installation Guide

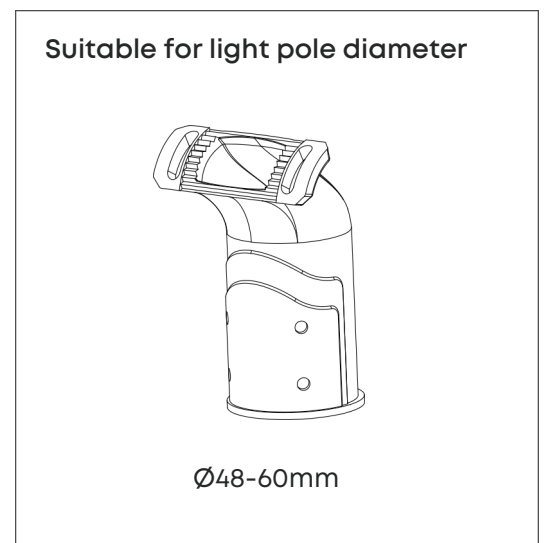
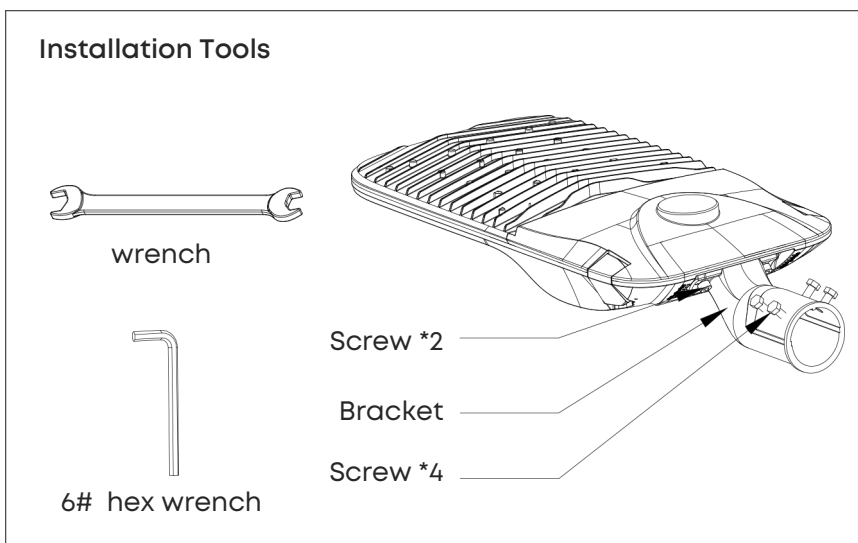
## - Before Installation

This procedure is designed as an installation aid. Skilled tradespeople that are familiar with general construction and electrical installation techniques should perform the installation. Licensed electricians should provide electrical installation connections. Installations and connections should be done in accordance with all national and local codes and permits. In no way is this document intended to construe warranty or fitness of use of the products described, nor is it intended to provide safety instruction for those installing the product.

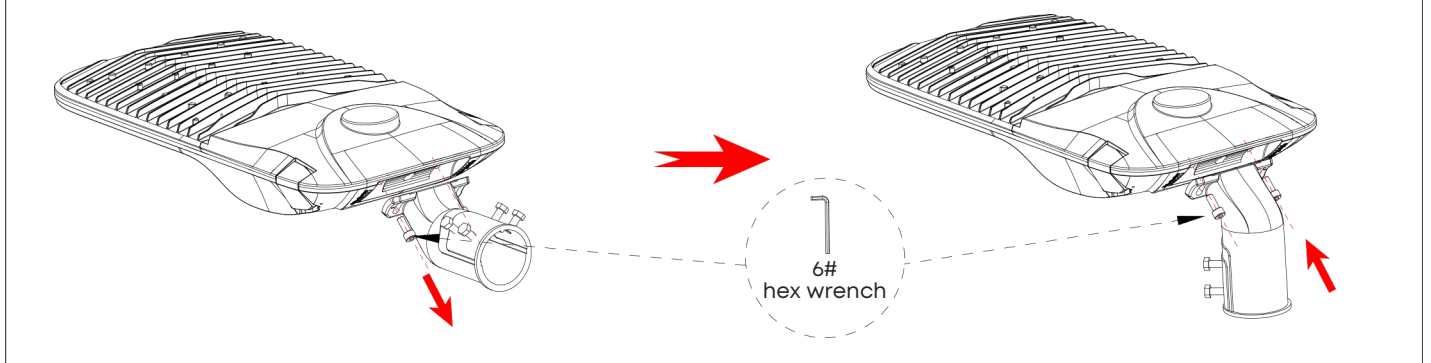
### WARNING

Before proceeding with installation or service maintenance of this product.

- Disconnect power to reduce electrical shock risk.
- Review the entire Installation Guide.
- Inspect this properly packaged product for any damage that may have occurred during transit.
- Verify product application complies with manufacturer design recommendations.
- Verify the availability of necessary tools and incidental material.
- Verify applicable code requirements. Field assembly and installation are subject to acceptance by local inspection authority.
- Appropriate safety equipment to be determined by end user, per applicable safety standards and precautions.

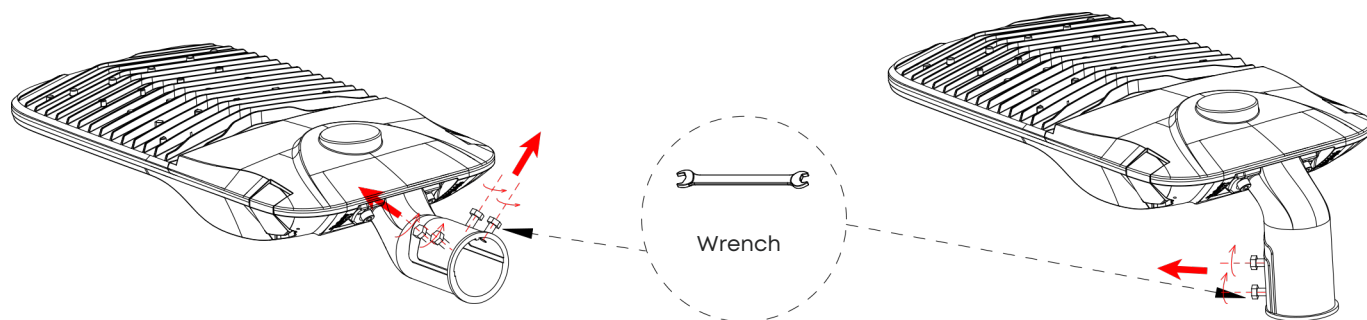


If the fixture is installed by post top, please release the screws on the bracket behind the fixture and remove the bracket first, then turn the bracket in the opposite direction, use a 6# hex wrench to tighten the screws to fix the bracket, as shown below.

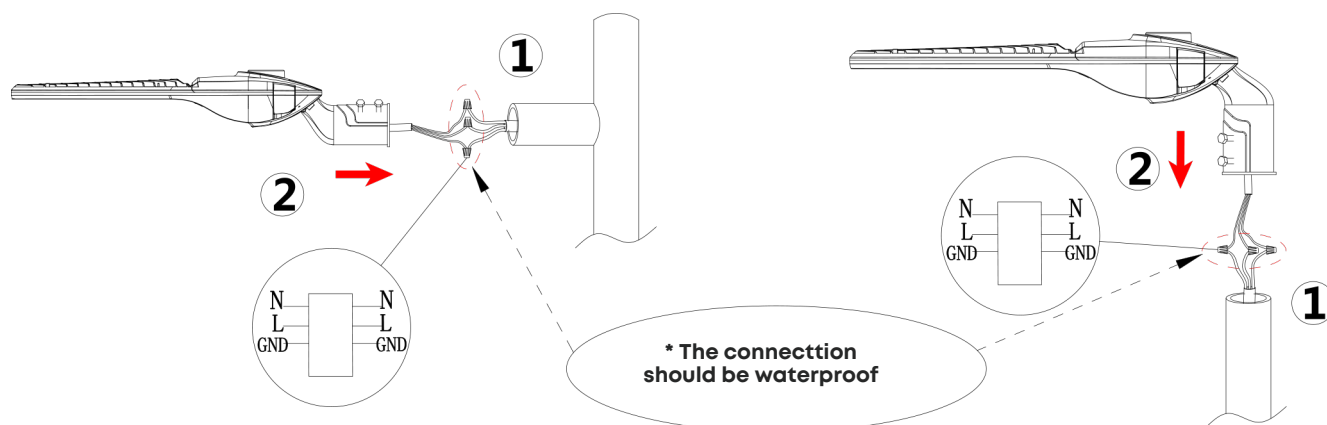


## - Installation Steps

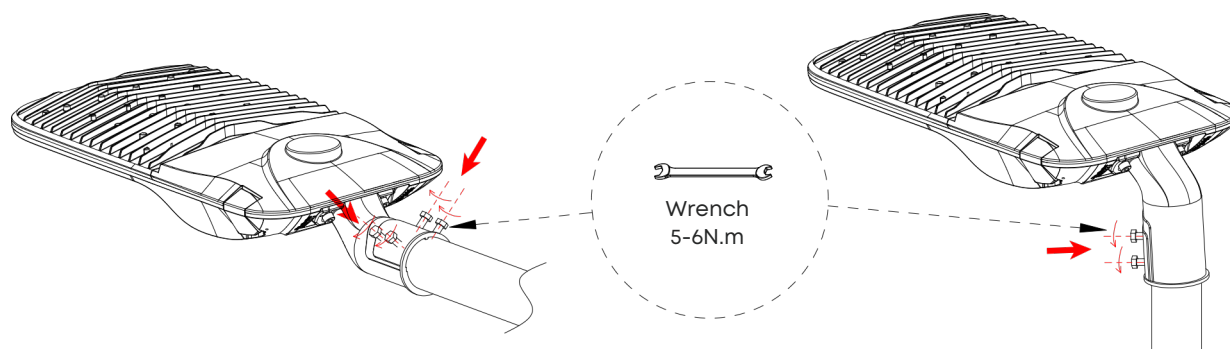
1. Loosen the 2 screws on the bracket without removing them.



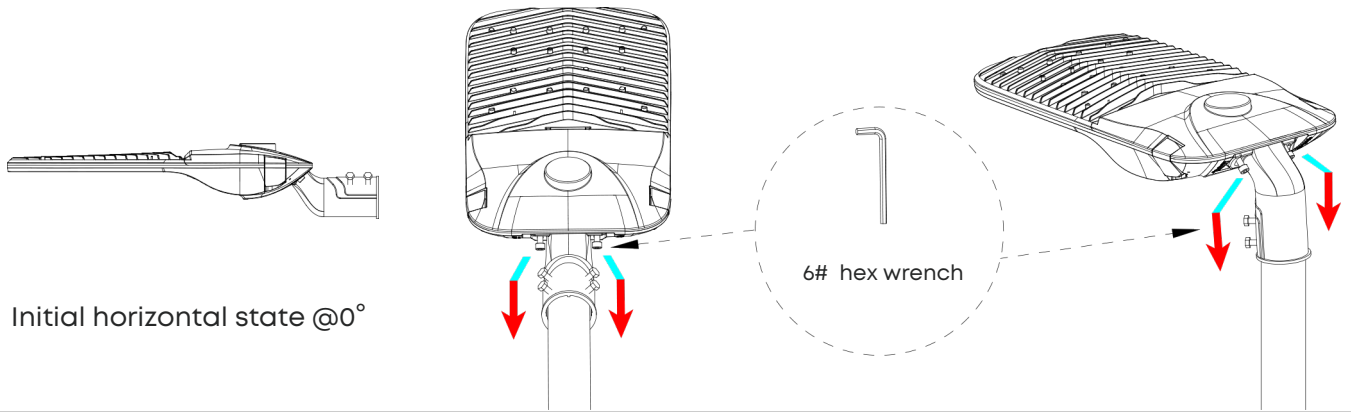
2. Connect the wires between the bracket of the fixture and the lamp pole (connect the L, and N, GND correspond to each) then insert the bracket into the lamp pole according to the arrow direction, as shown below.



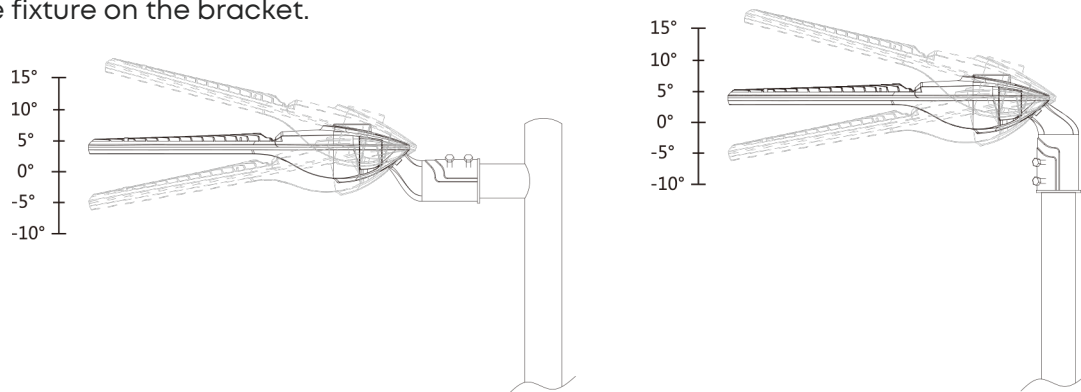
3. Tighten the two screws.



4. If you need to adjust the angle, loosen the two screws by 2-3 turns, but do not fully unscrew them.

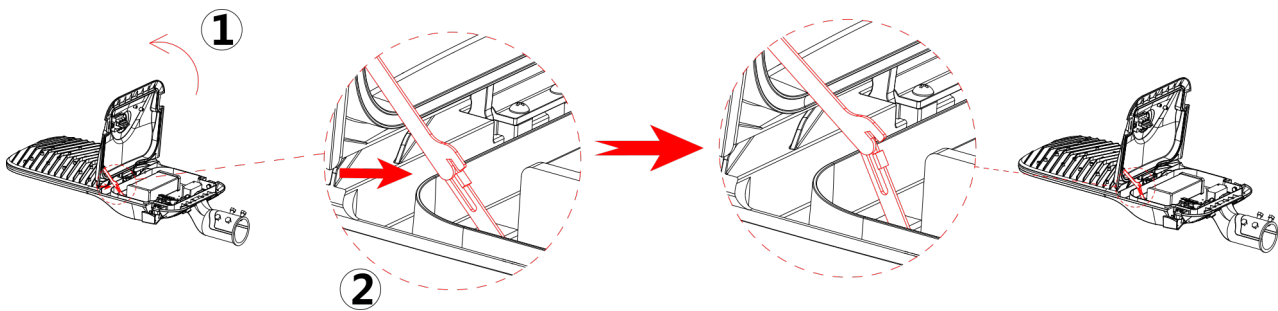


5. Rotate the fixture to the proper angle based on the actual requirement, then tighten two screws behind the fixture on the bracket.

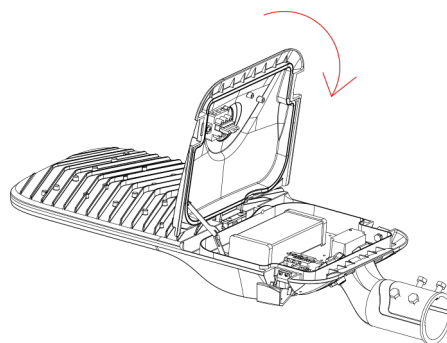


## Attention

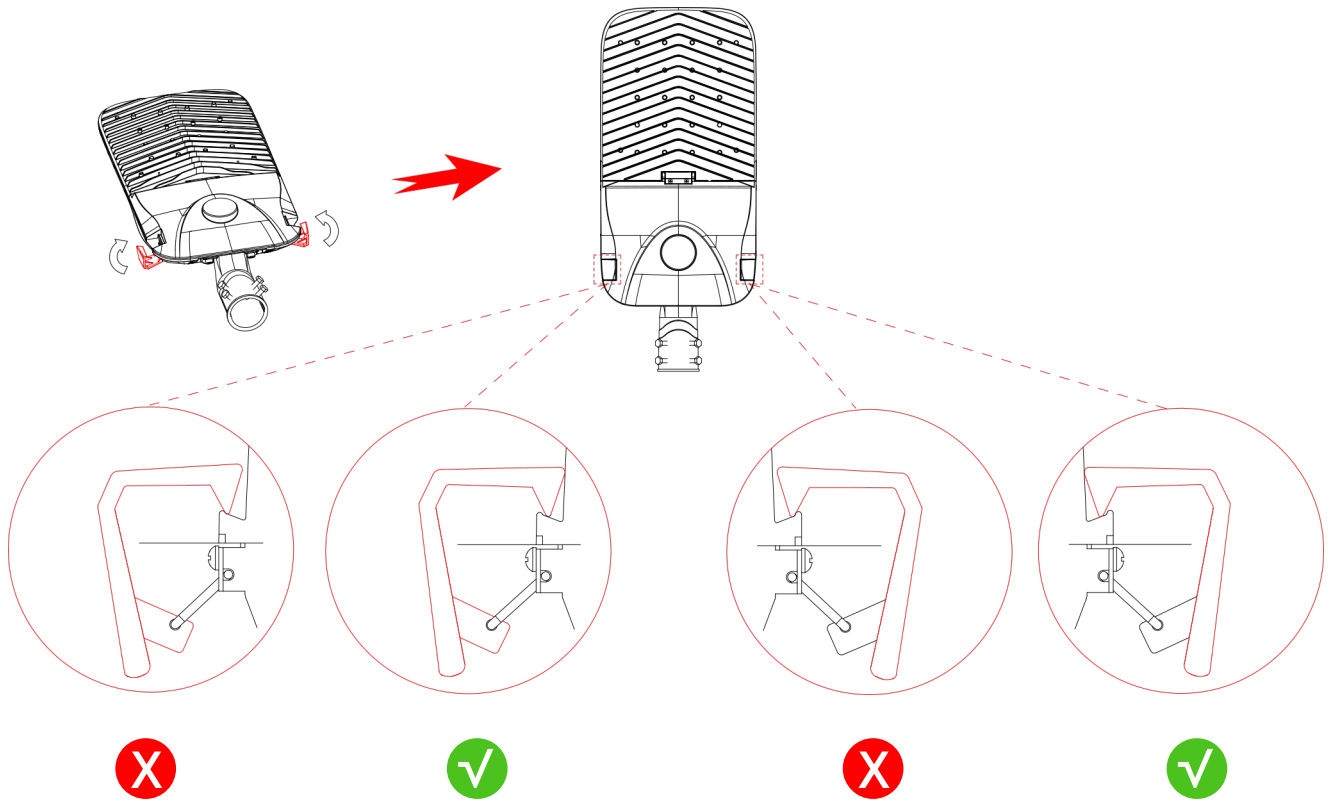
1. Turn the rear cover in the direction of the arrow, then push the support rod in the direction of the arrow.



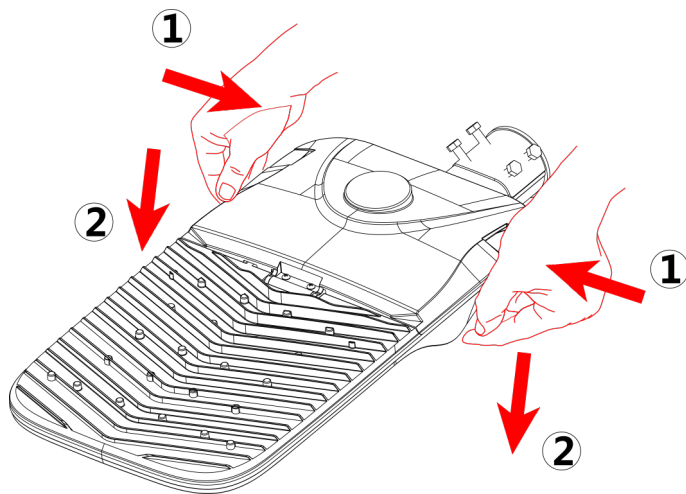
2. Close the rear cover.



3. Place the latch correctly in the groove on the rear cover.



3. Push the latch inward towards the light fixture while simultaneously pressing it downward.



Press the clasp, do not knock.

