

INS Series Installation Guide

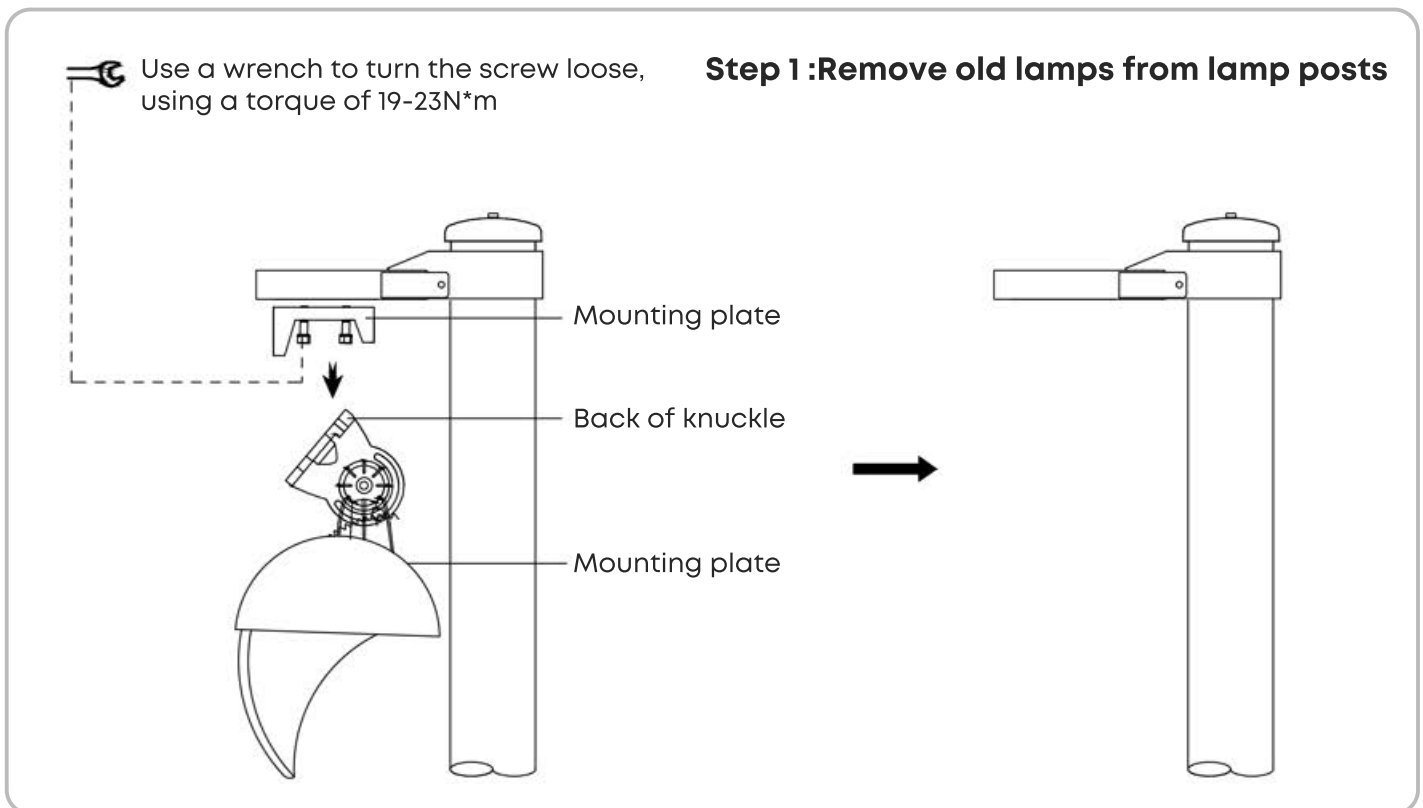
This procedure is designed as an installation aid. Skilled tradespeople that are familiar with general construction and electrical installation techniques should perform the installation. Licensed electricians should provide electrical installation connections. Installations and connections should be done in accordance with all national and local codes and permits. In no way is this document intended to construe warranty or fitness of use of the products described, nor is it intended to provide safety instruction for those installing the product.

⚡ WARNING

Before proceeding with installation or service maintenance of this product:

- Disconnect power to reduce electrical shock risk.
- Review the entire Installation Guide.
- Inspect this properly packaged product for any damage that may have occurred during transit.
- Verify product application complies with manufacturer design recommendations.
- Verify the availability of necessary tools and incidental material.
- Verify applicable code requirements. Field assembly and installation are subject to acceptance by local inspection authority.
- Appropriate safety equipment to be determined by end user, per applicable safety standards and precautions.

Installation steps

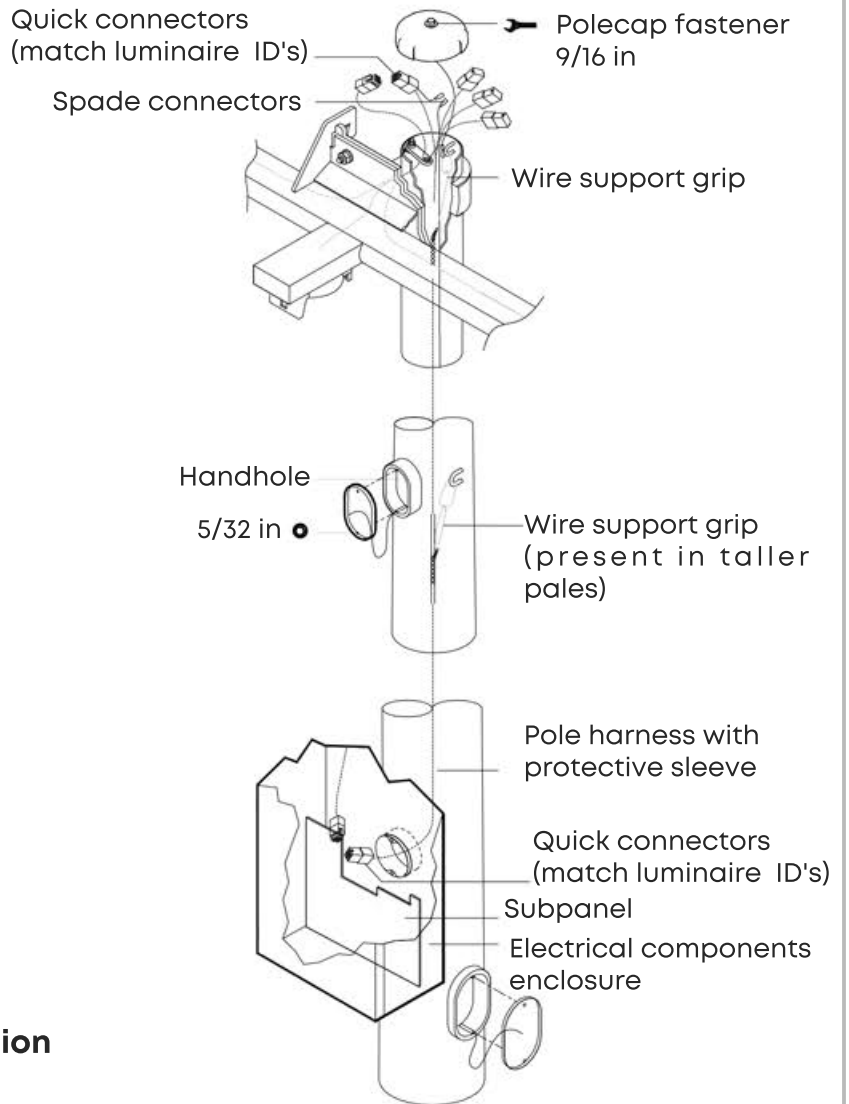


INS Series Installation Guide

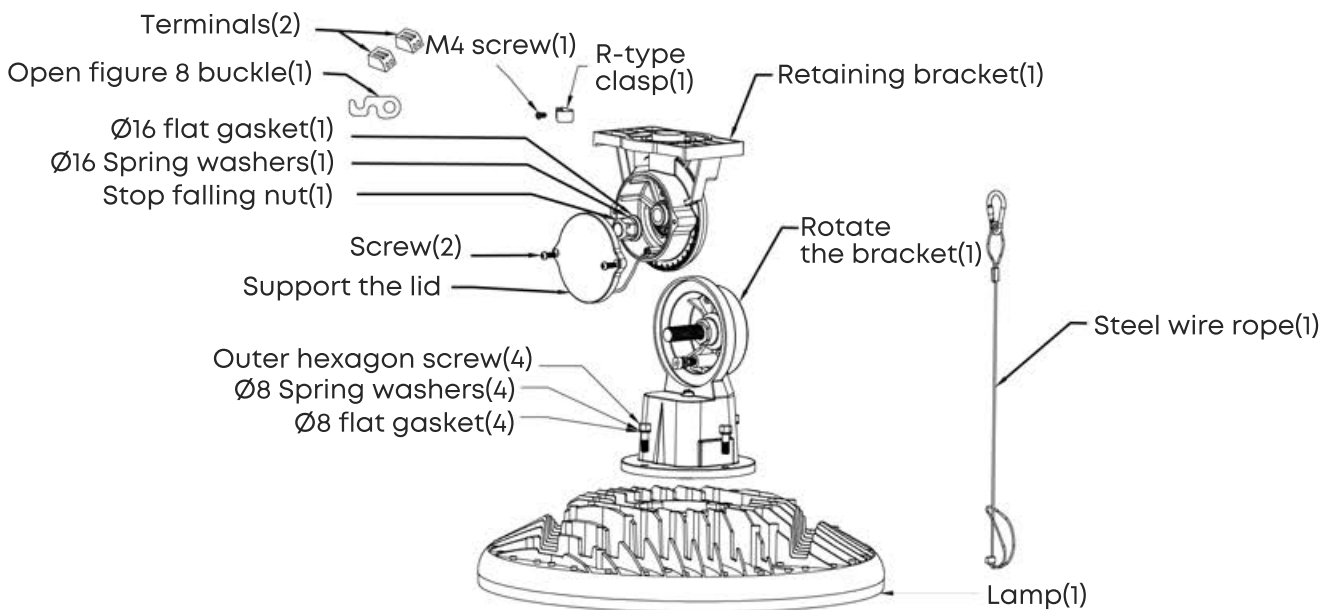
Step 2 :Remove the old lamp body and retain the wire harness on the lamp pos.

Here is an overview of harness safety:

- 1.Shut off the main power.
- 2.Carefully check wiring problems of wiring harness parts and eliminate hidden dangers.
- 3.A sequence of wiring harness routes to prevent cross - over and short - circuit.
- 4.Install the lamps, check all the routes are ok, then turn on the main power.



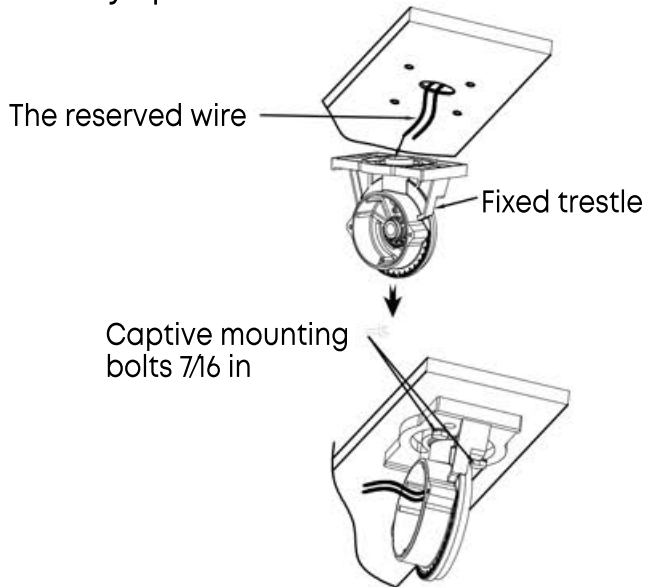
Product parts include introduction



INS Series Installation Guide

Preparation for installation of the high mast lamp

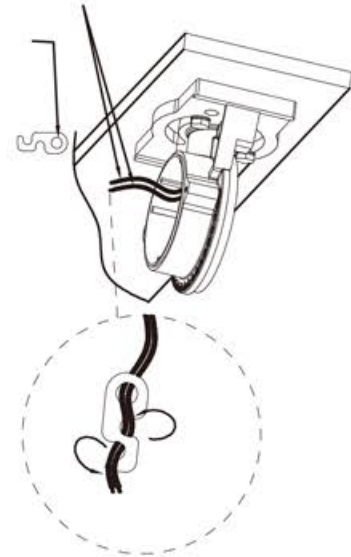
Step 3: Pass the reserved wire through the retaining bracket. Tighten captive mounting bolts. Torque must not exceed 20 ftlb (27 Nm). To avoid over-tightening, use provided 12 inch monkey spanner.



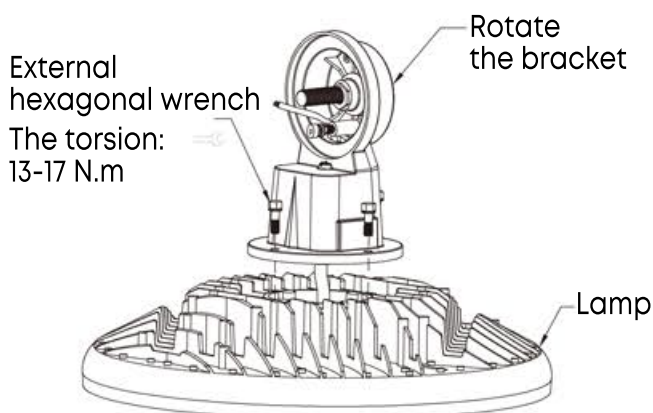
Step 4: Wrap the reserved wire around the open figure 8 buckle.

The reserved wire

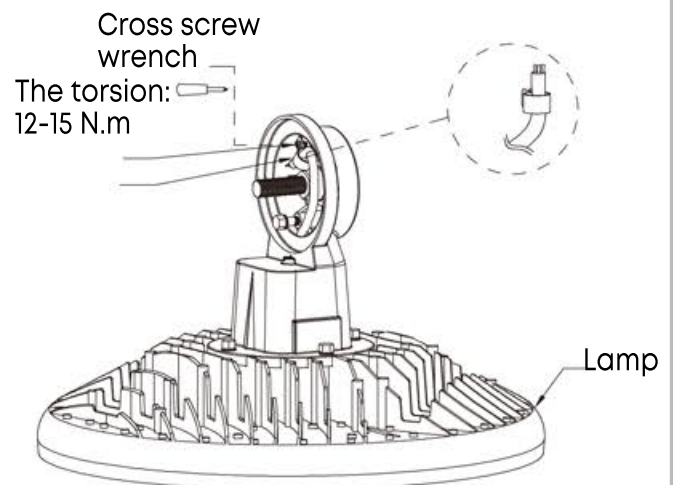
Open figure 8 buckle(1)



Step 5: Put the power cord out of the bracket, then fix the rotating bracket on the lamp body, tighten the screw.



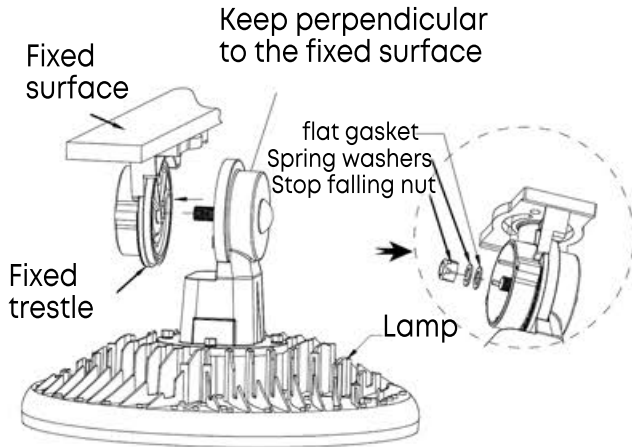
Step 6: Fixed power cord with R-wire clasp, tighten screw to prevent power cord from pulling.



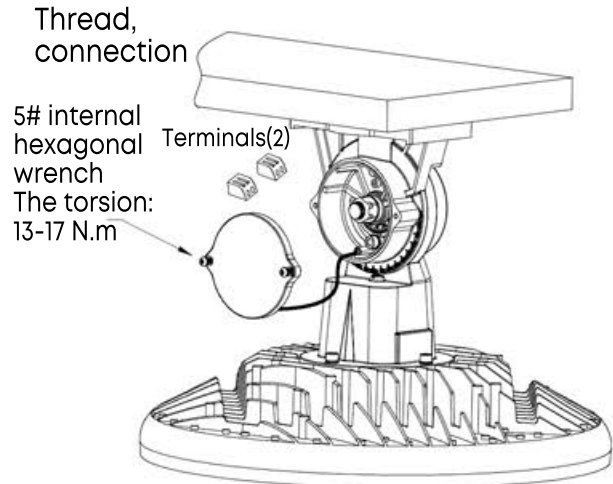
INS Series Installation Guide

Preparation for installation of the high mast lamp

Step 7: Attach the lamp body to the mounting bracket. Fasten the nut to the bolt.

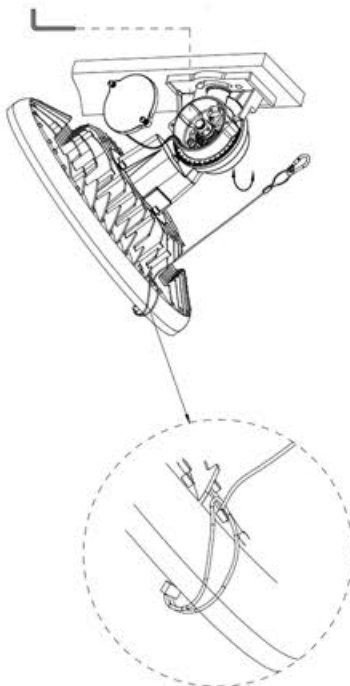


Step 8: Tighten the fixing screw with an inner hexagon wrench. The torsion: 13-17 N*m.

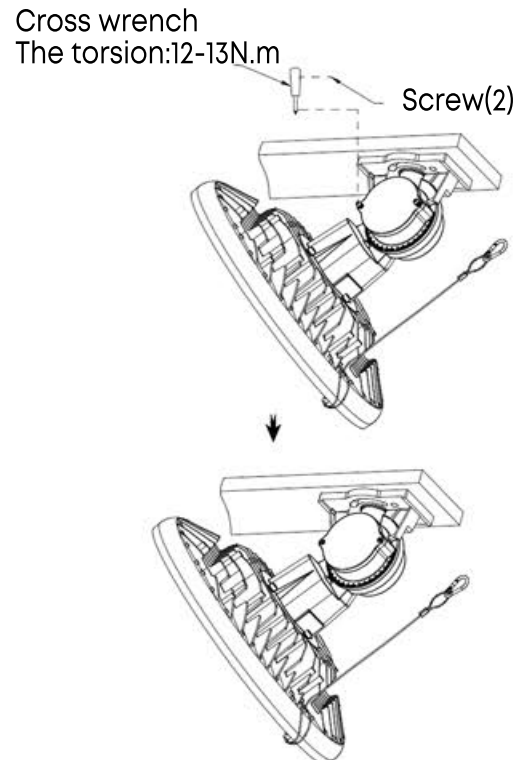


Step 9 : Wiring, connect the L,N,GND wires on the lamp to the corresponding L,N,GND cables on the conduit, - Fasten the safety cord to the lamp body

Turn the lamp body, adjust the Angle, tighten the nut (socket head wrench, force 12-15N *m), screw M8 with a fixed Angle M6 socket wrench, force 15-19N*m



Step 10 : Insert the elbow of the lamp into the lamp post and tighten 4 fixing screws with an inner hexagon wrench. The torsion: 19-22 N*m.



INS Series Installation Guide

Preparation for installation of the high mast lamp

Step 11 : Install the light fixture and connect the power supply to the wire harness

Installed schematic diagram:



Schematic diagram of power chamber:

Pole identification label (on front)

