

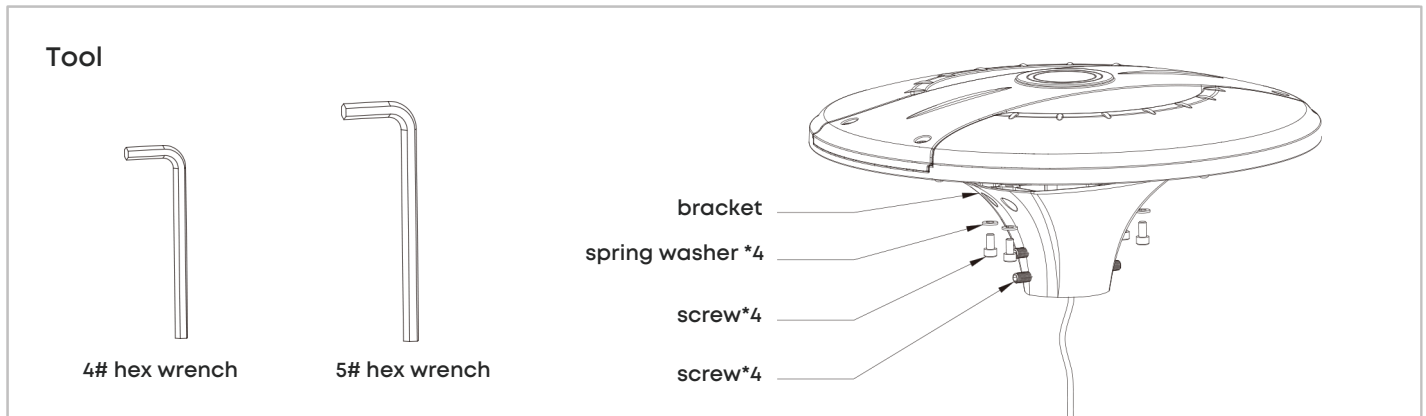
Installation Guide

This procedure is designed as an installation aid. Skilled tradespeople that are familiar with general construction and electrical installation techniques should perform the installation. Licensed electricians should provide electrical installation connections. Installations and connections should be done in accordance with all national and local codes and permits. In no way is this document intended to construe warranty or fitness of use of the products described, nor is it intended to provide safety instruction for those installing the product.

⚡ WARNING

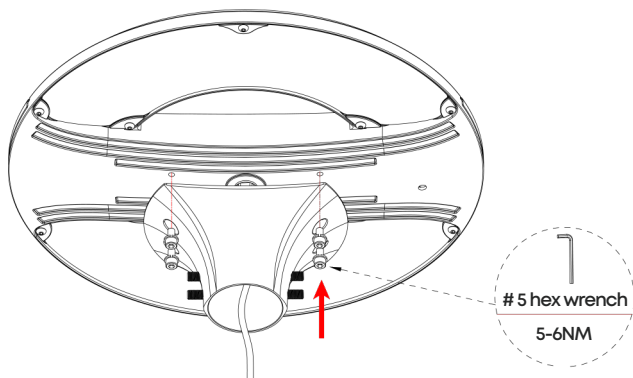
Before proceeding with installation or service maintenance of this product:

- Disconnect power to reduce electrical shock risk.
- Review the entire Installation Guide.
- Inspect this properly packaged product for any damage that may have occurred during transit.
- Verify product application complies with manufacturer design recommendations.
- Verify the availability of necessary tools and incidental material.
- Verify applicable code requirements. Field assembly and installation are subject to acceptance by local inspection authority.
- Appropriate safety equipment to be determined by end user, per applicable safety standards and precautions.

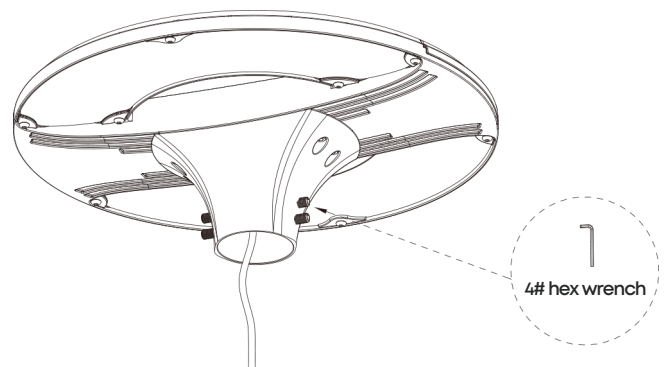


Installation steps

Step 1 : Align the screws and spring washer with the lamp body holes and tighten the screws.

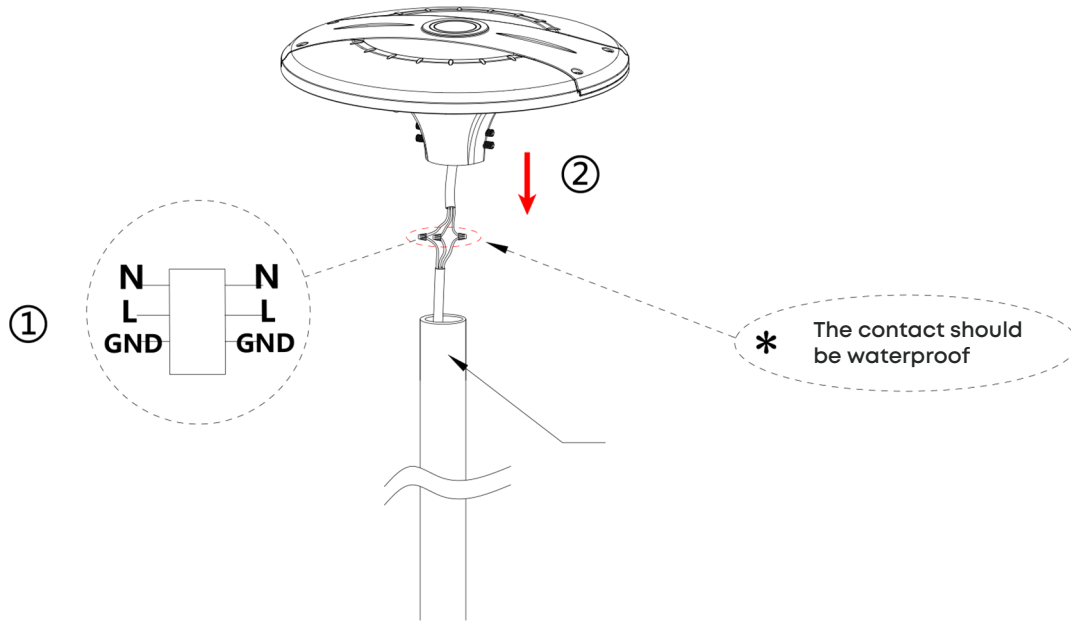


Step 2 : Loosen the four screws without unscrewing them.



Installation Guide

Step 3 : When wiring, connect the L, N and GND wires on the lamp to the corresponding L, N and GND wires on the conduit, and then insert the lamp into the lamp pole in the direction of the arrow.



Step 4 : Tighten the four screws to complete the installation.

