

**200+** Patent Certificates  
**\$1,000,000+** Annual Energy Saving  
**10,000+** Projects Successfully Installed



S (standard) Version

# IL02 LED Street Light

Suitable for European Street

Power: 20W - 300W



Innovative & Tailored  
Lighting Solutions for **Success**  
[www.aokledlight.com](http://www.aokledlight.com)

# Features of **IL02** Series



For other certificates please request

The IL02 series is tailored for street lighting, with a focus on the European market. It features precision-engineered individual lenses crafted from optical-grade polycarbonate to maximize light intensity. The micro-lens systems generate IESNA Type II, Type III, and Type IV distributions. These luminaires ensure 0% total lumens above 90° (BUG Rating, U=0), enhancing visual comfort by minimizing glare and offering a wider, smoother, and more uniform light output.

- 10KV~20KV surge protection
- Powdering/PC + tempered glass
- Buckle design, easy maintenance
- Fin shape radiator, better heat dissipation
- Optical systems maintain an IP66 rating

UP TO <b>160</b> lm/W	<b>L70</b> >100,000HRS @ 25°C	<b>100-277VAC</b> 50 / 60HZ	<b>THD</b> ≤ 10%	<b>CLASS I</b> AND <b>CLASS II</b>
2700K 3000K 4000K 5000K 5700K 6500K	<b>CRI</b> Ra70/80/90	<b>ULR</b> =0%	<b>DIM</b>	<b>∠ AUTO TT CUT-OFF</b> SAFETY PROTECTED (OPTIONAL)
WORKING TEMPERATURE ENVIRONMENT -40°C~55°C (-40°F~131°F)	<b>IP66</b> <b>IK08</b>	<b>3G</b> VIBRATION TESTING PASSED		

## Benefits for choosing IL02

- Auto Cut-off**  
Avoid damage to electrical equipment and protect personal safety.
- Convenient Upgrade**  
Reserve sensor installation port for easy upgrading.
- Efficient Heat Dissipation**  
Rear fin-shaped heat sink design, fast convection, excellent heat dissipation, low temperature.
- Tool-free Maintenance**  
Tool-Free Opening and Replacement of Components for Maintenance
- Exceptional Impact Resistance**  
Polycarbonate lens with 4mm thick tempered glass for IK08 impact rating and 3G shake-proof.
- Professional Optic Design**  
Multiple light distribution options available, professional simulation design.
- Environmental Concept**  
ULOR=0, No Uplight Pollution.
- Multiple Accessories and Options**  
Supports accessories and options such as Photocell (Nema), 3pin/7pin bases, ZigBee, LoRa, Zhaga bases, Dali, Casambi, NB-IoT control, and more.

**5** **10** **WARRANTY**  
5 Year Limited Warranty,  
10 Year Preferred Warranty.  
Please consult with our sales for detailed agreement.

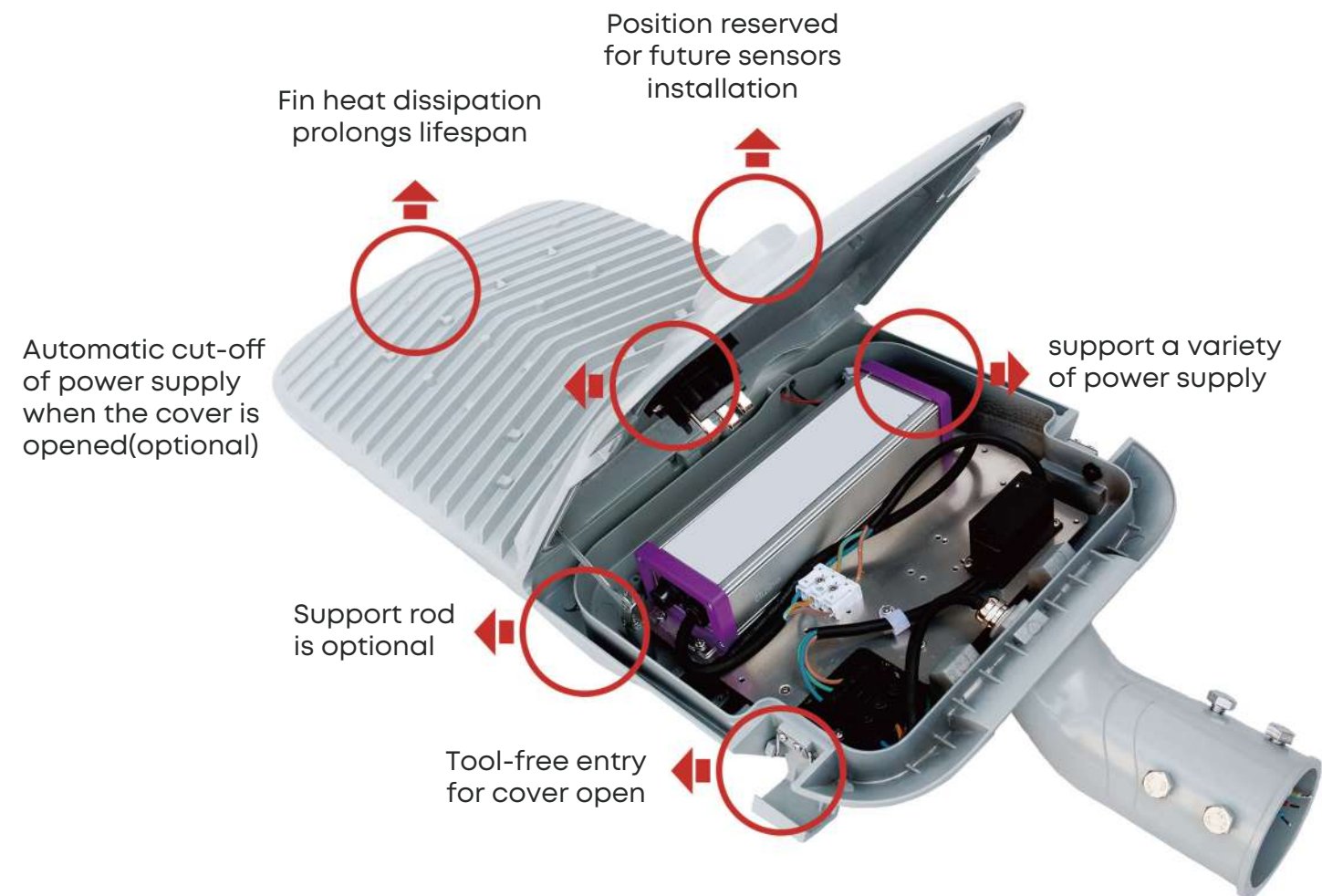
wally@ookledlight.com  
+1 626-986-4050 (US)  
+86 755 2357 9148 (CN)  
©2024 AOK LED LIGHT CO., LTD. All Right Reserved.



# Ingenious Design

## For the sake of adaptability

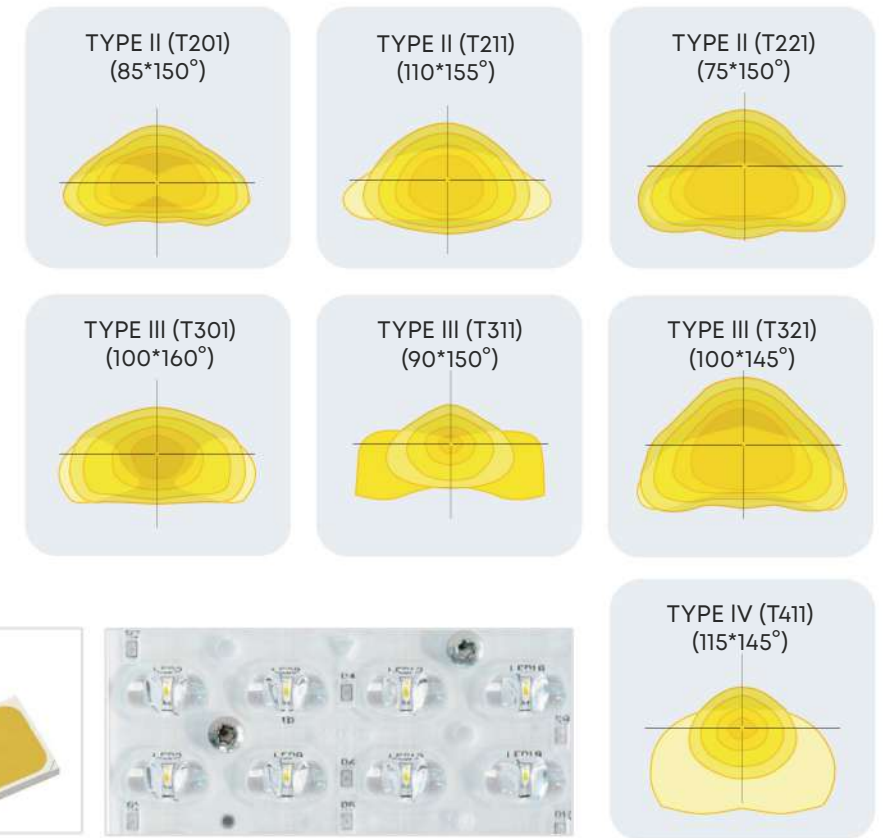
The streamlined design of IL02 series street lights improves wind resistance. Its user-friendly maintenance and replacement design cut fixture maintenance costs, reducing both personnel and financial investments significantly.



## Superior

Animals & Insects Friendly  
**2700K-3000K**  
 CCT available

Choose between LUMILEDS or Seoul LEDs in 3030 or 5050 solutions for uniform street light distribution.  
 \* Customize for common or private mode light distribution as needed.



\* Due to working temperature and CCT/CRI adjustments, actual photometric values may vary slightly. Please consult the measured IES file for accurate data. The above information is for reference purposes only.

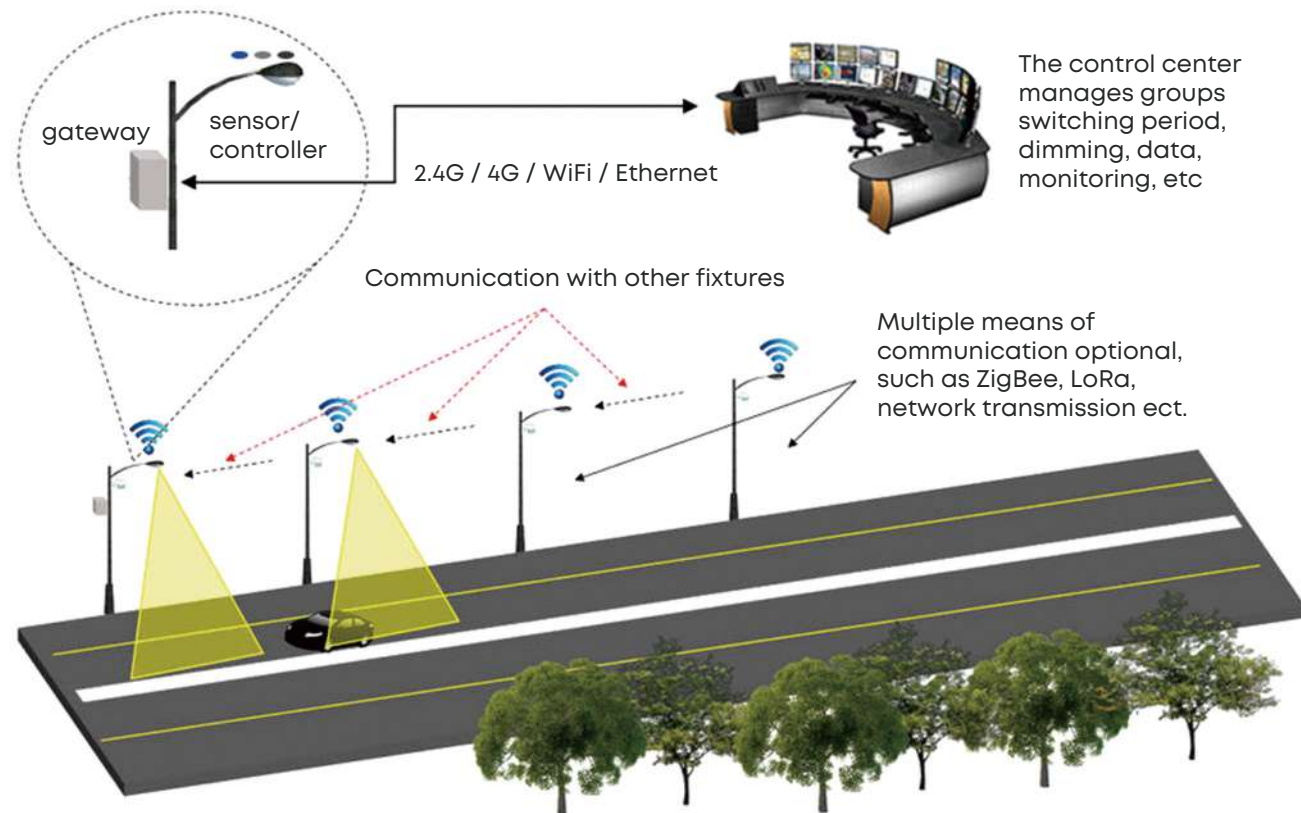
# Smart Control Ready

## For Efficient Management



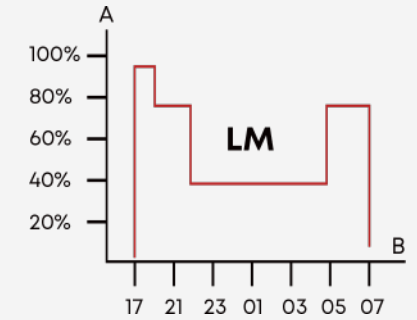
IL02 is **connected-ready** and can operate with various sensors and control systems.

### Typical IoT **Demonstration**



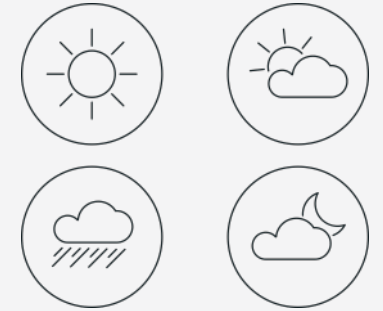
### Custom Dimming Profile

Smart luminaire drivers enable the programming of complex dimming profiles without extra wiring. Customized time intervals and light levels contribute to maximum energy savings, maintaining required lighting levels and uniformity throughout the night.



### Daylight Sensor / Photocell

Photocell or daylight sensors switch the luminaire on as soon natural light falls to a certain level. It can be programmed to switch on during a storm, on a cloudy day (in critical areas) or only at nightfall so as to provide safety and comfort in public spaces.

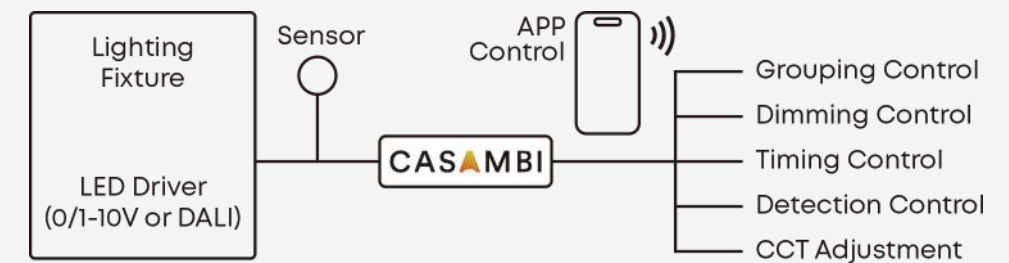


### Smart standards. Smarter lighting.

LoRaWAN® Luminaire Controller Zhaga is a wireless device for remote LED luminaire control with a Zhaga-compliant connector and DALI interface. It's compatible with LoRaWAN®, NB-IoT, and LTE-M networks, featuring a modern, compact design suitable for various street lighting modules.

LoRaWAN® Luminaire Controller NEMA is designed for LED luminaires with an ANSI C136.41 NEMA receptacle. It controls the luminaire through DALI or 0-10V analog interfaces and provides a secure power connection with three robust twist lock contacts.

### Casambi Ready (optional)



# Application Reference

- Road & highway lighting
- Urban road & street lighting
- Residential area lighting
- Parks & perimeter lighting
- Parking lot lighting
- Riverside & jogging track



# Comparison of Project Remodeling



# Parameter Table

## Electrical Data

Model	AOK-20W/L02S	AOK-30W/L02S	AOK-40W/L02S	AOK-50W/L02S	AOK-60W/L02S	AOK-70W/L02S
Input voltage	100-277VAC					
THD (220Vac)	≤10%					
PF(220Vac)	≥0.95					
Driver	Inventronics / Sosen / Class 1 .OSRAM/Philips/MOSO Class 1/ Class 2, EU					
Operating temperature	-40°C to 55°C (-40 °F to 131 °F)					
Control Option	DALI, 1-10V/ PWM / timer dimming, Nema, Presence detection sensor. Dim-to-Off with standby power <= 0.5W.					
Surge Protection	10kV / 20kV optional					

## Photometric Data

Efficacy(lm/W) (CRI 70Ra, 5000K) (Std Dev ±5%)	T201-12in1	150lm/W	141lm/W	150lm/W	145lm/W	141lm/W	134lm/W
	T211-12in1	150lm/W	141lm/W	150lm/W	145lm/W	141lm/W	134lm/W
	T221-16in1	154lm/W	148lm/W	154lm/W	151lm/W	148lm/W	139lm/W
	T301-12in1	145lm/W	136lm/W	145lm/W	140lm/W	136lm/W	130lm/W
	T311-12in1	150lm/W	141lm/W	150lm/W	145lm/W	141lm/W	134lm/W
	T321-16in1	154lm/W	148lm/W	154lm/W	151lm/W	148lm/W	139lm/W
	T411-12in1	150lm/W	141lm/W	150lm/W	145lm/W	141lm/W	134lm/W
Luminous flux (lm) (CRI 70Ra, 5000K) (Std Dev ±5%)	T201-12in1	3000lm	4230lm	6000lm	7250lm	8460lm	9380lm
	T211-12in1	3000lm	4230lm	6000lm	7250lm	8460lm	9380lm
	T221-16in1	3080lm	4440lm	6160lm	7550lm	8880lm	9730lm
	T301-12in1	2900lm	4080lm	5800lm	7000lm	8160lm	9380lm
	T311-12in1	3000lm	4230lm	6000lm	7250lm	8460lm	9100lm
	T321-16in1	3080lm	4440lm	6160lm	7550lm	8880lm	9730lm
	T411-12in1	3000lm	4230lm	6000lm	7250lm	8460lm	9380lm
ULR	=0%, @ Luminaire inclination 0°						
CCT	2700K, 3000K, 4000K, 5000K, 5700K, 6500K						
CRI	70Ra, 80Ra, 90Ra optional						
Beam angle	Type-II (85°*150°, 110°*155°, 75°*150°) / Type III (100°*160°, 90°*150°, 100°*145°) / Type IV (115°*145°)						
LED Manufacturer	LUMILEDS/Seoul						
LED model	Lumileds 3030, 5050/Seoul3030, 5050						
Lens	Polycarbonate+tempered glass(4 mm thick)						

## Mechanical Data

IP/IK	IP66/IK08, according to standard EN 60529 and EN 62262					
Vibration resistance	3G, conform to standard IEC 68-2-6.					
SCx	Front: 0.0152 m²; Side: 0.0272 m²					
Materials	Heavy-duty die-cast aluminum (EN AC-46100)					
Painting	Black, Silver, Gray, Customized color					
Surface treatment	Anti-UV thermosetting polyester / 80 micron epoxy primer + Anti-UV thermosetting polyester (for extremely corrosive environments).					
Cable	Pre-wired with a roughly 50 cm cable (Other lengths on request)					
Mounting	Side Entry/Post Top					

## Others

Lifespan	L70 > 100000hrs, @Ta 25°C					
Warranty	5 years in standard, 10 years optional					
Product Size	512*179*118mm / 20.2*7.0*4.6 inches					
Carton size	570*230*170mm / 22.4*9.1*6.7 inches					
Net Weight	2.9kg / 6.39 lbs					
Gross weight	3.7kg / 8.16 lbs					
Recommend installation height	General 4-12m, based on actual project requirements					
Accessories(standard)	Power failure protector, 10KV SPD. Breathing apparatus					
Accessories(optional)	Photocell (with Nema socket)					
Application field	Road & highway, urban road & street, residential area, parks, parking lot, riverside & jogging track					
Important note!	The provided information is solely for reference; the official measurement report holds higher authority.					

## Electrical Data

Model	AOK-20W/L02	AOK-30W/L02	AOK-40W/L02	AOK-50W/L02	AOK-60W/L02	AOK-70W/L02	AOK-80W/L02	AOK-90W/L02	AOK-100W/L02	AOK-120W/L02
Input voltage	100-277VAC						100-277VAC			
THD (220Vac)	≤10%						≤10%			
PF(220Vac)	≥0.95						≥0.95			
Driver	Inventronics / Sosen / Philips. Class 1/ Class 2, EU									
Operating temperature	-40°C to 55°C (-40 °F to 131 °F)									
Storage temperature	-40°C to 80°C (-40 °F to 176 °F)									
Control Option	DALI, 1-10V/ PWM / timer dimming, Nema, Presence detection sensor. Dim-to-Off with standby power <= 0.5W.									
Surge Protection	10kV / 20kV optional									

## Photometric Data

Efficacy(lm/W) (CRI 70Ra, 5000K) (Std Dev ±5%)	T201	156lm/W	155lm/W	150lm/W	148lm/W	146lm/W	144lm/W	144lm/W	143lm/W	141lm/W	137lm/W
	T211	155lm/W	154lm/W	147lm/W	145lm/W	143lm/W	141lm/W	143lm/W	142lm/W	140lm/W	136lm/W
	T221	158lm/W	156lm/W	154lm/W	152lm/W	150lm/W	148lm/W	154lm/W	152lm/W	150lm/W	145lm/W
	T301	152lm/W	153lm/W	145lm/W	143lm/W	141lm/W	139lm/W	141lm/W	140lm/W	138lm/W	134lm/W
	T311	155lm/W	154lm/W	147lm/W	145lm/W	143lm/W	141lm/W	143lm/W	142lm/W	140lm/W	136lm/W
	T321	158lm/W	156lm/W	154lm/W	152lm/W	150lm/W	148lm/W	154lm/W	152lm/W	150lm/W	145lm/W
	T411	155lm/W	154lm/W	147lm/W	145lm/W	143lm/W	141lm/W	143lm/W	142lm/W	140lm/W	136lm/W
Luminous flux (lm) (CRI 70Ra, 5000K) (Std Dev ±5%)	T201	3120lm	4650lm	6000lm	7400lm	8760lm	10080lm	11520lm	12870lm	14100lm	16440lm
	T211	3100lm	4620lm	5880lm	7250lm	8580lm	9870lm	11440lm	12780lm	14000lm	16320lm
	T221	3160lm	4680lm	6160lm	7600lm	9000lm	10360lm	12320lm	13680lm	15000lm	17400lm
	T301	3040lm	4590lm	5800lm	7150lm	8460lm	9730lm	11280lm	12600lm	13800lm	16080lm
	T311	3100lm	4620lm	5880lm	7250lm	8580lm	9870lm	11440lm	12780lm	14000lm	16320lm
	T321	3160lm	4680lm	6160lm	7600lm	9000lm	10360lm	12320lm	13680lm	15000lm	17400lm
	T411	3100lm	4620lm	5880lm	7250lm	8580lm	9870lm	11440lm	12780lm	14000lm	16320lm
ULR	=0%, @ Luminaire inclination 0°										
CCT	2700K, 3000K, 4000K, 5000K, 5700K, 6500K										
CRI	70Ra, 80Ra, 90Ra optional										
Beam angle	Type-II (85°*150°, 110°*155°, 75°*150°) / Type III (100°*160°, 90°*150°, 100°*145°) / Type IV (115°*145°)										
LED Manufacturer	LUMILEDS/Seoul										
LED model	Lumileds 3030, 5050/Seoul3030, 5050										
Lens	Polycarbonate+tempered glass(5 mm thick)					Polycarbonate+tempered glass(4 mm thick)					

## Mechanical Data

IP/IK	IP66/IK09, according to standard EN 60529 and EN 62262					IP66/IK08, according to standard EN 60529 and EN 62262				
Vibration resistance	3G, conform to standard IEC 68-2-6.									
SCx	Front: 0.014 m²; Side: 0.0214 m²					Front: 0.0219 m²; Side: 0.035 m²				
Materials	Heavy-duty die-cast aluminum (EN AC-46100)									
Painting	Black, Silver, Gray, Customized color									
Surface treatment	Anti-UV thermosetting polyester / 80 micron epoxy primer + Anti-UV thermosetting polyester (for extremely corrosive environments).									
Cable	Pre-wired with a roughly 50 cm cable (Other lengths on request)									
Mounting	Side Entry					Side Entry/Post Top				

## Others

Lifespan	L70 > 100000hrs, @Ta 25°C									
Warranty	5 years in standard, 10 years optional									
Product Size	470*230*79mm / 18.5*9.1*3.1 inches					25.4*9.4*5.4 inches / 646*240*137mm				
Carton size	520*270*135mm / 20.5*10.6*5.3 inches					28.1*11.4*7.9 inches / 715*290*200mm				
Net Weight	3.1kg / 6.83 lbs					5.4kg / 11.90 lbs				
Gross weight	4.0kg / 8.82 lbs					6.1kg / 13.45 lbs				
Recommend installation height	General 4-12m, based on actual project requirements									
Accessories(standard)	10KV SPD, breathing apparatus					Support rod, power failure protector, 10KV SPD, breathing apparatus				
Accessories(optional)	Photocell (with Nema socket)									
Application field	Road & highway, urban road & street, residential area, parks, parking lot, riverside & jogging track									
Important note!	The provided information is solely for reference; the official measurement report holds higher authority.									

## IL02 Series Specification Sheet

\*Due to the constant improvements in product development, individual parameters might change. Please refer to our sales or R&D team for most up-to-date content as specifications are subject to change without notice.

wally@aokledlight.com  
+1 626-986-4050 (US)  
+86 755 2357 9148 (CN)

©2024 AOK LED LIGHT CO., LTD. All Right Reserved.



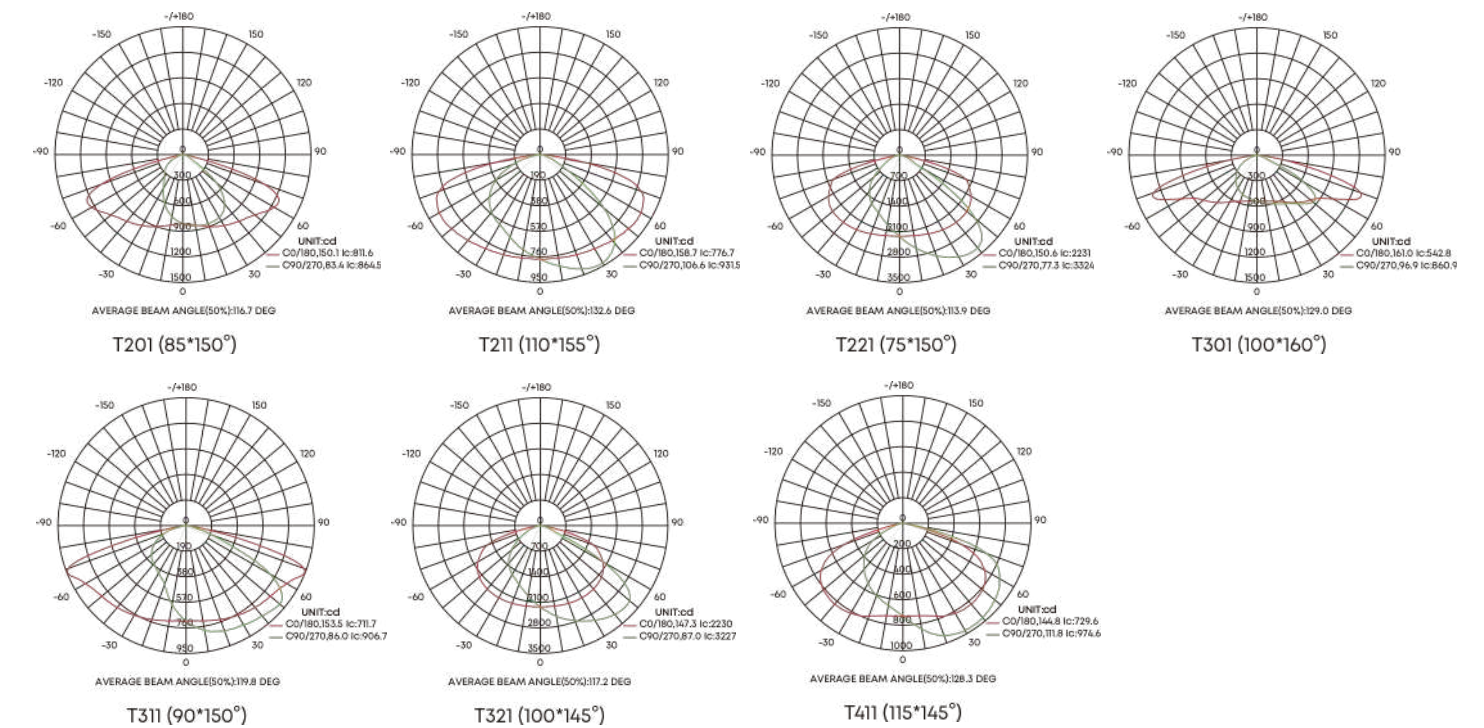
# Parameter Table

Electrical Data											
Model	AOK-130W/L02	AOK-140W/L02	AOK-150W/L02	AOK-160W/L02	AOK-170W/L02	AOK-180W/L02	AOK-200W/L02	AOK-220W/L02	AOK-230W/L02	AOK-300W/L02	
Input voltage	100-277VAC					100-277VAC				100-277VAC	
THD (220Vac)	≤10%					≤10%				≤10%	
PF(220Vac)	≥0.95					≥0.96				≥0.95	
Driver	Inventronics / Sosen / Philips. Class 1/ Class 2, EU										
Operating temperature	-40°C to 55°C (-40 °F to 131 °F)					-40°C to 50°C (-40 °F to 122 °F)				-40°C to 50°C (-40 °F to 122 °F)	
Storage temperature	-40°C to 80°C (-40 °F to 176 °F)										
Control Option	DALI, 1-10V/ PWM / timer dimming, Nema, Presence detection sensor. Dim-to-Off with standby power <= 0.5W.										
Surge Protection	10kV / 20kV optional										
Photometric Data											
Efficacy(lm/W) (CRI 70Ra, 5000K) (Std Dev ±5%)	T201	135lm/W	130lm/W	128lm/W	145lm/W	143lm/W	141lm/W	137lm/W	141lm/W	139lm/W	132lm/W
	T211	134lm/W	129lm/W	127lm/W	144lm/W	142lm/W	140lm/W	136lm/W	140lm/W	138lm/W	132lm/W
	T221	143lm/W	141lm/W	139lm/W	152lm/W	150lm/W	148lm/W	145lm/W	148lm/W	146lm/W	140lm/W
	T301	132lm/W	127lm/W	125lm/W	141lm/W	139lm/W	137lm/W	133lm/W	137lm/W	135lm/W	130lm/W
	T311	134lm/W	129lm/W	127lm/W	144lm/W	142lm/W	140lm/W	136lm/W	140lm/W	138lm/W	131lm/W
	T321	143lm/W	141lm/W	139lm/W	152lm/W	150lm/W	148lm/W	145lm/W	148lm/W	146lm/W	140lm/W
	T411	134lm/W	129lm/W	127lm/W	144lm/W	142lm/W	140lm/W	136lm/W	140lm/W	138lm/W	132lm/W
Luminous flux (lm) (CRI 70Ra, 5000K) (Std Dev ±5%)	T201	17550lm	18200lm	19200lm	23200lm	24310lm	25380lm	27400lm	31020lm	31970lm	39600lm
	T211	17420lm	18060lm	19050lm	23040lm	24140lm	25200lm	27200lm	30800lm	31740lm	39600lm
	T221	18590lm	19740lm	20850lm	24320lm	25500lm	26640lm	29000lm	32560lm	33580lm	42000lm
	T301	17160lm	17780lm	18750lm	22560lm	23630lm	24660lm	26600lm	30140lm	31050lm	39000lm
	T311	17420lm	18060lm	19050lm	23040lm	24140lm	25200lm	27200lm	30800lm	31740lm	39300lm
	T321	18590lm	19740lm	20850lm	24320lm	25500lm	26640lm	29000lm	32560lm	33580lm	42000lm
T411	17420lm	18060lm	19050lm	23040lm	24140lm	25200lm	27200lm	30800lm	31740lm	39600lm	
ULR	= 0%, @ Luminaire inclination 0°										
CCT	2700K, 3000K, 4000K, 5000K, 5700K, 6500K										
CRI	70Ra, 80Ra, 90Ra optional										
Beam angle	Type-II (85°*150°, 110°*155°, 75°*150°) / Type III (100°*160°, 90°*150°, 100°*145°) / Type IV (115°*145°)										
LED Manufacturer	LUMILEDS/Seoul										
LED model	Lumileds 3030, 5050/Seoul3030, 5050										
Lens	Polycarbonate+tempered glass(4 mm thick)										
Mechanical Data											
IP/IK	IP66/IK08, according to standard EN 60529 and EN 62262										
Vibration resistance	3G, conform to standard IEC 68-2-6.										
SCx	Front: 0.0263 m²; Side: 0.0363 m²			Front: 0.0285 m²; Side: 0.0412 m²				Front: 0.0291 m²; Side: 0.433 m²			
Materials	Heavy-duty die-cast aluminum (EN AC-46100)										
Painting	Black, Silver, Gray, Customized color										
Surface treatment	Anti-UV thermosetting polyester / 80 micron epoxy primer + Anti-UV thermosetting polyester (for extremely corrosive environments).										
Cable	Pre-wired with a roughly 50 cm cable (Other lengths on request)										
Mounting	Side Entry/Post Top										
Others											
Lifespan	L70 > 100000hrs, @Ta 25°C										
Warranty	5 years in standard, 10 years optional										
Product Size	676*290*137mm / 26.6*11.4*5.4 inches					756*308*138mm / 29.8*12.1*5.4 inches				756*308*138mm / 29.8*12.1*5.4 inches	
Carton size	745*340*200mm / 29.3*13.4*7.9 inches					825*360*200mm / 32.5*14.2*7.9 inches				825*360*200mm / 32.5*14.2*7.9 inches	
Net Weight	6.0kg / 13.23 lbs					6.8kg / 14.99 lbs				8.2kg / 18.08 lbs	
Gross weight	7.2kg / 15.87 lbs					8.3kg / 18.30 lbs				9.7kg / 21.38 lbs	
Recommend installation height	General 4-12m, based on actual project requirements										
Accessories(standard)	Support rod, power failure protector, 10KV SPD, breathing apparatus										
Accessories(optional)	Photocell (with Nema socket)										
Application field	Road & highway, urban road & street, residential area, parks, parking lot, riverside & jogging track										
Important note!	The provided information is solely for reference; the official measurement report holds higher authority.										

# Ordering Information

AOK	WATTS	VOLTAGE	LED CHIPS	TYPE OF SENSOR	CCT&CRI	DISTRIBUTION	HOUSING	OPTION
20W/L02(S)	NV=100-277V	L3=LUMILED 3030	00=Without Sensor	2770=2700K 70CRI	T201 (85°*150°)	BK=Black	10KV SPD	
30W/L02(S)		L5=LUMILED 5050	PH=Photocell	3070=3000K 70CRI	T211 (110°*155°)	SI=Silver	20KV SPD	
40W/L02(S)		S3=Seoul 3030	DV=Dimmable	4070=4000K 70CRI	T221 (75°*150°)	GR=Gray	Custom request	
50W/L02(S)		S5=Seoul 5050		5070=5000K 70CRI	T301 (100°*160°)			
60W/L02(S)				5770=5700K 70CRI	T311 (90°*150°)			
70W/L02(S)				6570=6500K 70CRI	T321 (100°*145°)			
80W/L02				2780=2700K 80CRI	T411 (115°*145°)			
90W/L02				3080=3000K 80CRI				
100W/L02				4080=4000K 80CRI				
120W/L02				5080=5000K 80CRI				
130W/L02				5780=5700K 80CRI				
140W/L02				6580=6500K 80CRI				
150W/L02								
160W/L02								
170W/L02								
180W/L02								
200W/L02								
220W/L02								
230W/L02								
300W/L02								

# Photometry



## IL02 Series Specification Sheet

\*Due to the constant improvements in product development, individual parameters might change. Please refer to our sales or R&D team for most up-to-date content as specifications are subject to change without notice.

wally@ookledlight.com

+1 626-986-4050 (US)

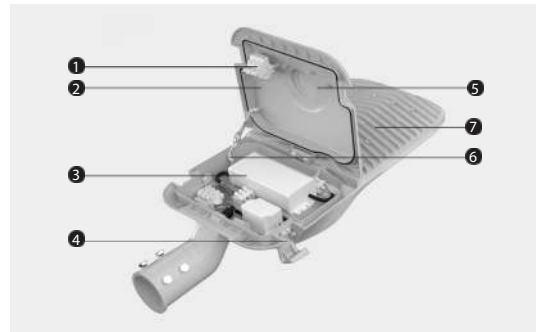
+86 755 2357 9148 (CN)

©2024 AOK LED LIGHT CO., LTD. All Right Reserved.





## Construction Features



1. Auto power cutoff protector, tool free electrical gear tray;
2. Heavy-duty die-cast aluminum housing, UV stabilized polyester powder paint;
3. Class I /Class II Dimmable driver;
4. Buckle design. Tool-less entry for easy maintenance;
5. Reserve a position for installing the sensor;
6. Supporting rod;
7. Fin shape radiator design, better heat dissipation to protect lifespan of fixture.

### ELECTRICAL

- 1-10V/ PWM/ Timer dimming, 3 Timer Modes, Power Factor (PF)  $\geq 0.95$ .
- Constant current Class II driver, 100-277Vac, 50-60Hz, Class I optional.
- High efficiency driver: up to 90%, minimum efficiency 85%.
- Input Surge Protection: 6kV line-line, 10kV line-earth, 20KV SPD available.
- Operating temperature rating:  $-40^{\circ}\text{F}$  to  $131^{\circ}\text{F}$  ( $-40^{\circ}\text{C}$  to  $55^{\circ}\text{C}$ ).
- Photocell, Zhaga Base, Zigbee or Lora Lighting Controller available.
- Surge Protective Device 10KV~20KV.

### CONSTRUCTION

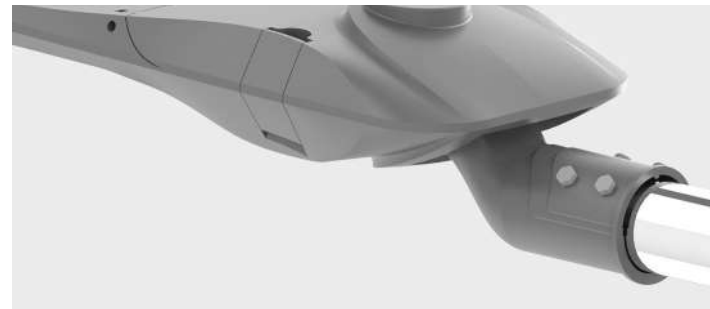
- Tool-less entry hinged removable door for easy maintenance.
- Auto-electrical disconnection: Built-in circuit breaker, tool free electrical gear tray.
- UV stabilized polyester powder paint finish for durability and corrosion resistance.
- Multiple Mounting options: Post top and side entry installation available.
- Mounting has leveling adjustment from  $-10^{\circ}$  to  $+15^{\circ}$ .
- 3G vibration rated.

## Accessories

### Mounting Options



Post Top



Side Entry

### Control Options



Photocell

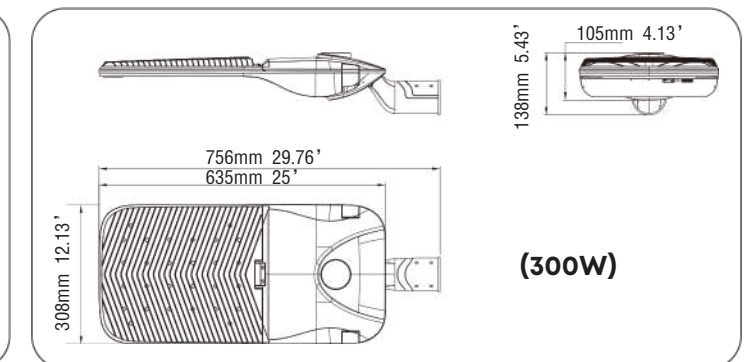
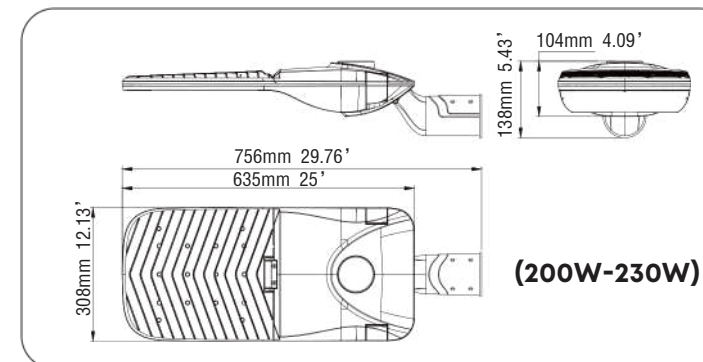
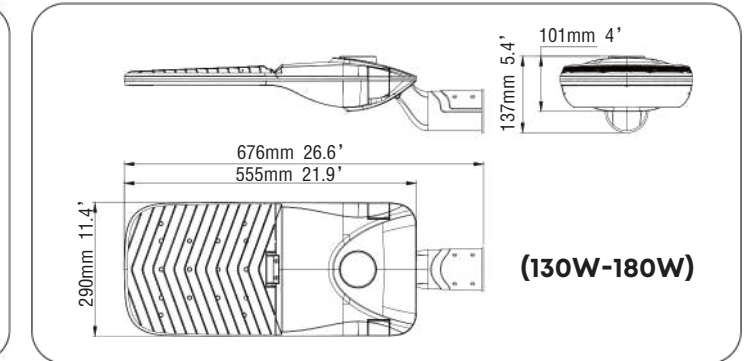
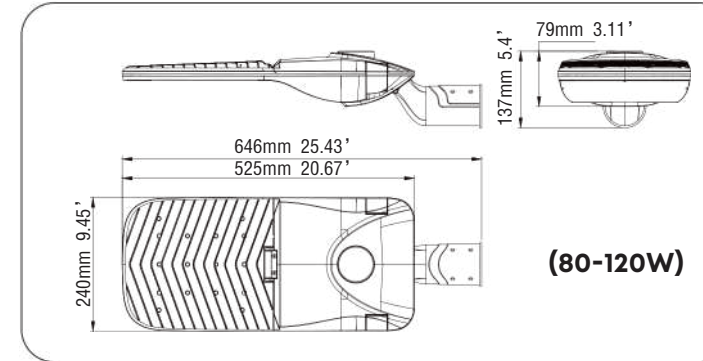
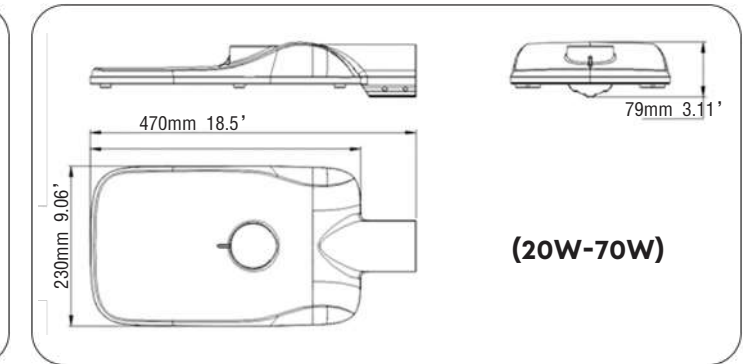
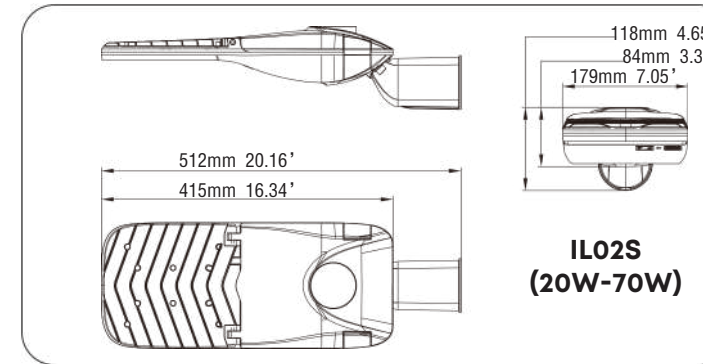
Shorting Cap

3 Pin/7 Pin Receptacle



\*As the products are upgraded, the accessories may differ from those described in the pictures. Please consult with our sales team for updated details and order separately.

## Fixture Dimensions



## IL02 Series Specification Sheet

\*Due to the constant improvements in product development, individual parameters might change. Please refer to our sales or R&D team for most up-to-date content as specifications are subject to change without notice.

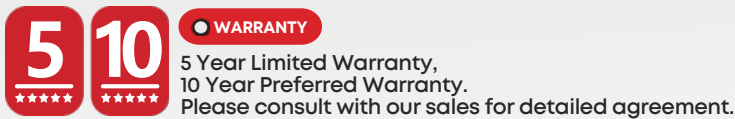
wally@aokledlight.com  
+1 626-986-4050 (US)  
+86 755 2357 9148 (CN)

©2024 AOK LED LIGHT CO., LTD. All Right Reserved.





# Innovative & Tailored Lighting Solutions for **Success**



wally@aokledlight.com  
www.aokledlight.com  
+1 626-986-4050 (US)  
+86 755 2357 9148 (CN)

Manufacturing: Building 1 & 4, St. George's Science and Technology Industrial Park, Shajing Street,  
Shenzhen, China, 518124.  
Fuzhou HQ: Room 301, Yujing Business Center Zone 1, No. 12 Baihuazhou road, Cangshan district,  
Fuzhou, China, 350007  
North America HQ: 17531 Railroad St, Suite F, City of industry CA91748 USA

Copyright ©2024 AOK LED LIGHT CO., LTD. All Right Reserved.