



**IPLA** *PARKING LOT LIGHT*  
75W-230W



**100+** Patent Certificates  
**\$1,000,000+** Annual Energy Saving  
**10,000+** Projects Successfully Installed

**Better Performance**  
**Starts From Better Lighting**  
[www.aokledlight.com](http://www.aokledlight.com)



For other certificates please request

## > Features of PLA Series

PLA series is an economical energy-saving and flexible application scenarios area light with high-cost performance. It is designed for commercial and industrial applications, providing cooler operating temperatures, brighter light and longer LED span.

- CCT & power adjustable (75W/100W/150W).
- Light engine is thermally isolated from driver components for better heat dissipation, industrial-level design standard.
- Micro-lens systems produce IESNA Type III, Type IV and Type V distributions, full cutoff type, no uplight pollution.
- Luminaries produces 0% total lumens above 90°(BUG Rating, U=0), provides uniform light output with a lower glare.
- Optical systems maintain an IP66 rating.
- The top spot of the fixture is reserved for the sensor in the case of future installation.

<b>UP TO</b> <b>150</b> lm/W	<b>L90B10</b> >100000hrs @ 25°C	<b>100-277V</b> 277-480V 50/60HZ	<b>THD</b> <10.5%	<b>Working Temperature Environment</b> -40°C~50°C (-40°F~+122°F)	<b>IP66</b> <b>IK09</b>
<b>Adjustable</b> • 3000K • 4000K • 5000K	<b>CRI</b> 70/80	<b>ULR</b> =0	<b>DIM</b>	<b>3G</b> VIBRATION TESTING	

Note: Normal Voltage=100-277VAC, High Voltage=277-480VAC, please evaluate before choosing. For the power supply in the United States and Canada, in case the input voltage fluctuation ≥240V the High Voltage solution is highly recommended for performance stability. Improper selection will cause damage to the driver or the light.



## Change at the flip of a switch

- REDUCE SKUS
- INCREASE TURNS
- DRIVE PROFITABILITY

With the simple push of a button, adjustable CCT LEDs are able to change between different temperatures of white light. This feature allows one fixture to have multiple white tones, ranging from warm, to daylight, to cool. Instead of ordering multiple lights with different color temperatures, order one adjustable CCT product that carries multiple options within itself. Install the fixture, and change the color temperature until it's right. This versatility enables contractors to lower their SKUs, while still offering variety and adapting to client needs. It gives business owners and designers the ability to independently change tones to create a certain atmosphere and easily coordinate fixtures.

**5** **10** **WARRANTY**  
5 Year Limited Warranty,  
10 Year Preferred Warranty.  
Please consult with our sales for detailed agreement.

wally@akledlight.com  
+1 626-986-4050 (US)  
+86 755 2357 9148 (CN)  
©2023 AOK LED LIGHT CO., LTD. All Right Reserved.

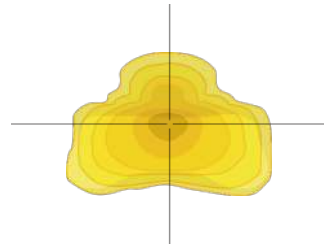


# > Photometric Design

- Optimized, premium optical grade Mitsubishi polycarbonate lens, the efficient design of the modules make each light engine highly customizable, allowing the light distribution to be aimed toward the application.
- Optical systems allow for versatility, tight cutoffs, and flexible control for a wide variety of applications.
- We deliver innovation and customization, further expanding the flexibility of the project. Exceptional uniformity and low glare for maximum comfort and neighbor-friendly.

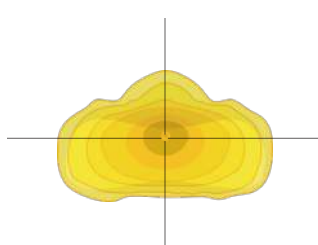
## Distribution Type

T301 (70W-150W)



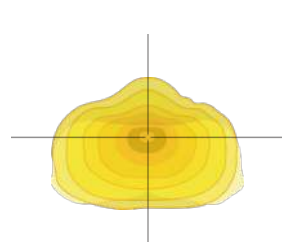
Asymmetric, Type III can be used in wide road parking areas, or at corner areas.

T302 (70W-150W)



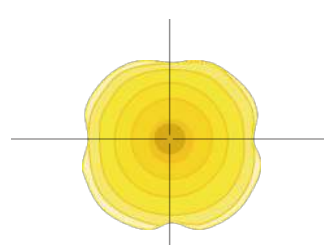
Asymmetric, Type III can be used in wide road parking areas, or at corner areas.

T402 (70W-150W)



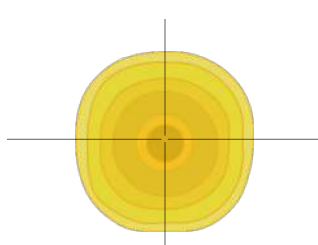
Asymmetric, Type IV can be used in wide road parking areas, or at corner areas.

T501 (70W-150W)



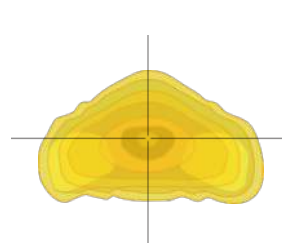
Symmetrical, T5 is suitable for use in the central area of the car park, or in road intersection areas

T502 (70W-150W)

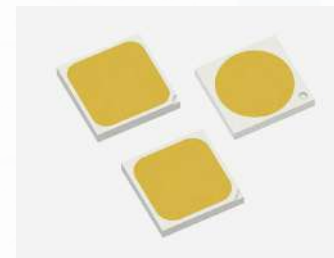


Symmetrical, T5 is suitable for use in the central area of the car park, or in road intersection areas

T301 (200W-230W)



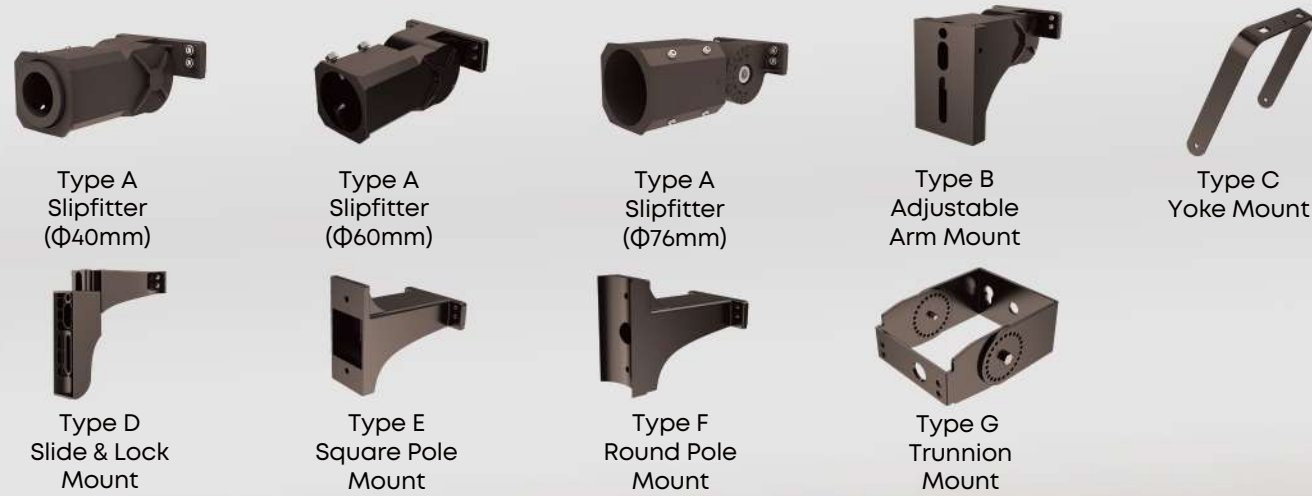
Asymmetric, Type III can be used in wide road parking areas, or at corner areas.



- The photometric engine takes advantage of the latest generation of mid/high-power LEDs and dedicated optics for professional applications.
- With 3030 or 5050 LED chips, it provides an alternative solution for those who are looking for very cost-effective yet efficient lighting while keeping the same luminaire design.

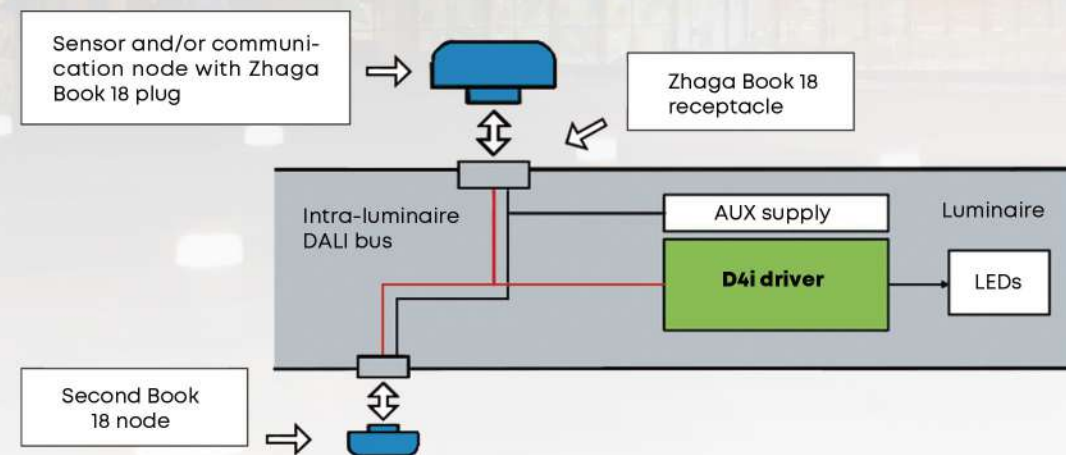
## > Flexible Installation

• Up to 7 installation methods (brackets) can be suitable for different installation scenarios, quickly adapt to the needs of the project. Convenient and **Flexible**.



A sensor mounting hole is reserved on the top to facilitate future installation.

### Outdoor luminaire with Zhaga receptacles (optional)

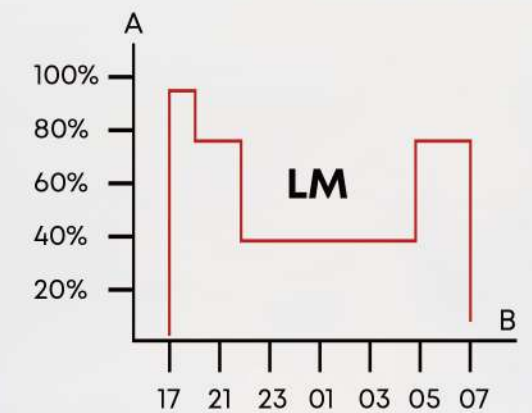


## > Control Systems

### Custom Dimming Profile

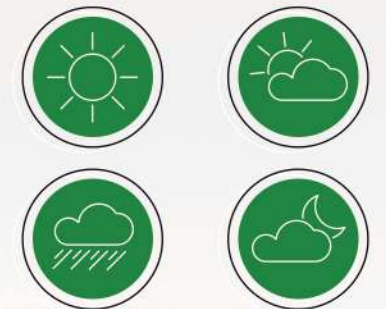
Intelligent luminaire drivers can be programmed with complex dimming profiles. With customized combinations of time intervals and light levels are possible. This feature does not require any extra wiring.

The period between switching on and switching off is used to activate the preset dimming profile. The customised dimming system generates maximum energy savings while respecting the required lighting levels and uniformity throughout the night.



### Daylight Sensor / Photocell

Photocell or daylight sensors switch the luminaire on as soon natural light falls to a certain level. It can be programmed to switch on during a storm, on a cloudy day (in critical areas) or only at nightfall so as to provide safety and comfort in public spaces.



### Motion Detection

In places with little nocturnal activity, lighting can be dimmed to a minimum most of the time. By using passive infrared (PIR) or Microwave sensors, the level of light can be raised as soon as a pedestrian or a slow vehicle is detected in the area.

Each luminaire level can be configured individually with several parameters such as minimum and maximum light output, delay period and ON/OFF duration time. Motion sensors can be used in an autonomous or interoperable network.



# > Application Reference

- Urban & residential streets
- Bridges
- Bike & pedestrian paths
- Railway stations & metros
- Car parks
- Squares & pedestrian areas
- Roads & motorways



# Parameter Table

Electrical Data					
Model	AOK-75WPLA	AOK-100WPLA	AOK-150WPLA	AOK-200WPLA	AOK-230WPLA
Power(w)	75W	100W	150W	200W	230W
Input voltage	Normal Voltage=100-277VAC, High Voltage=277-480VAC, please read *Note-1 before choosing.				
THD	<10.5%				
PF	> 0.95	> 0.95	> 0.95	> 0.95	> 0.95
Driver Efficiency	90%	91%	92%	92%	93%
Maximum Current	AC0.85A	AC1.13A	AC1.7A	AC2.26A	AC2.6A
Control option	Driver includes wiring for 0-10V dimming systems. Dim as low as 10%.				
Operating temperature	-40°C to 50°C (-40 °F to 122 °F)				
Surge Protection	10kV / 20kV optional				
Photometric Data					
Efficacy (lm/w, Std Dev ±5%)@CRI 70Ra, 5000K-2835-T301	150lm/W	150lm/W	145lm/W	150lm/W	145lm/W
Luminous flux(lm, Std Dev ±5%) @CRI 70Ra, 5000K-2835-T301	11250lm	15000lm	21750lm	30000lm	33350lm
CCT	2700K, 3000K, 4000K, 5000K, 5700K, 6500K				
CRI	Ra70,Ra80,Ra90				
LED model	2835 ,3030, 5050		2835 ,3030		
Lens	Polycarbonate				
Beam angle	Type III/ Type V(2835, 3030) / Type III / Type IV/Type V (5050)		Type III		
Mechanical Data					
IP/IK rating	IP66/IK09, according to standard EN 60529 and EN 62262				
Vibration resistance	3G, conform to standard IEC 68-2-6				
EPA(SCx), fixture body	Side: 1.86ft <sup>2</sup> (0.1728m <sup>2</sup> ); Top: 11.90ft <sup>2</sup> (1.1055m <sup>2</sup> )		Side: 2.31ft <sup>2</sup> (0.2144m <sup>2</sup> ); Top: 16.97ft <sup>2</sup> (1.5764m <sup>2</sup> )		
Housing	Heavy-duty die-cast aluminum (EN AC-46100)				
Heat radiator	Aluminum alloy				
Surface treatment	Anti-UV thermosetting polyester / Anti-UV thermosetting polyester (for extremely corrosive environments).				
Painting	Black, Customized color				
Cable	Pre-wired with a 30 cm cable (Other lengths on request)				
Mounting	Slipfitter, Adjustable Arm, Square/Round Pole, Trunnion, Yoke				
Other Data					
Lifespan	L90B10 - 100000 hrs, @Tq 25°C				
Warranty	5 years in standard, 10 years optional				
Certification	UL,DLC5.1,FCC				
Product Size	A-Slipfitter	L573.2*W256*H79.2mm / 22.57*10.08*3.12 inches		L668.5*W295*H79.4mm / 26.32*11.61*3.13 inches	
	B-Adjustable Arm	L590*W256*H159.3mm / 23.23*10.08*6.27 inches		L685.3*W295*H159.5mm / 26.98*11.61*6.28 inches	
	C-Yoke Mount	L443.7*W256*H59.2mm / 17.47*10.08*2.33 inches		L540*W295*H60.2mm / 21.26*11.61*2.37 inches	
	D-Slide Lock Mount	L549.3*W256*H162.5mm / 21.62*10.08*6.4 inches		L644.6*W295*H162.7mm / 25.38*11.61*6.41 inches	
	E-Square Pole	L558.3*W256*H150mm / 21.98*10.08*5.91 inches		L653.6*W295*H150mm / 25.73*11.61*5.91 inches	
	F-Round Pole	L580.7*W256*H150mm / 22.86*10.08*5.91 inches		L676.1*W295*H150mm / 26.62*11.61*5.91 inches	
	G-Trunnion Mount	L567.3*W256*H70mm / 22.33*10.08*2.76 inches		L662.6*W295*H70mm / 26.09*11.61*2.76 inches	
Net Weight	A-Slipfitter	4.41kg / 9.72 lbs	4.41kg / 9.72 lbs	4.54kg / 10.01 lbs	6.25kg / 13.78 lbs
	B-Adjustable Arm	5kg / 11.02 lbs	5kg / 11.02 lbs	5.12kg / 11.29 lbs	6.8kg / 15.0 lbs
	C-Yoke Mount	4.17kg / 9.19 lbs	4.17kg / 9.19 lbs	4.3kg / 9.48 lbs	6.08kg / 13.4 lbs
	D-Slide Lock Mount	4.57kg / 10.08 lbs	4.57kg / 10.08 lbs	4.7kg / 10.36 lbs	6.2kg / 13.67 lbs
	E-Square Pole	4.22kg / 9.30 lbs	4.22kg / 9.30 lbs	4.35kg / 9.59 lbs	6.08kg / 13.4 lbs
	F-Round Pole	4.77kg / 10.52 lbs	4.77kg / 10.52 lbs	4.9kg / 10.80 lbs	6.4kg / 14.11 lbs
	G-Trunnion Mount	4.73kg / 10.43 lbs	4.73kg / 10.43 lbs	4.86kg / 10.71 lbs	6.54kg / 14.42 lbs
Carton Size	A-Slipfitter	L660*W280*H90mm / 25.98*11*3.54 inches		L775*W320*H90mm / 30.5*12.6*3.54 inches	
	B-Adjustable Arm	L678*W228*H180mm / 26.69*8.97*7.08 inches		L775*W320*H175mm / 30.5*12.6*6.88 inches	
	C-Yoke Mount	L546*W296*H90mm / 21.49*11.65*3.54 inches		L642*W335*H90mm / 25.27*13.18*3.54 inches	
	D-Slide Lock Mount	L644*W228*H180mm / 25.35*8.97*7.08 inches		L740*W320*H175mm / 29.1*12.6*6.88 inches	
	E-Square Pole	L665*W280*H180mm / 26.18*10.8*7.08 inches		L760*W320*H180mm / 29.92*12.6*7.08 inches	
	F-Round Pole	L665*W280*H180mm / 26.18*10.8*7.08 inches		L760*W320*H180mm / 29.92*12.6*7.08 inches	
	G-Trunnion Mount	L660*W280*H97mm / 25.98*11.02*3.81 inches		L760*W320*H100mm / 29.9*12.6*3.93 inches	
Gross Weight	A-Slipfitter	4.77kg / 10.52 lbs	4.77kg / 10.52 lbs	4.9kg / 10.80 lbs	6.62kg / 14.59 lbs
	B-Adjustable Arm	5.7kg / 12.57 lbs	5.7kg / 12.57 lbs	6.03kg / 13.29 lbs	7.8kg / 17.20 lbs
	C-Yoke Mount	4.54kg / 10.01 lbs	4.54kg / 10.01 lbs	4.67kg / 10.30 lbs	6.84kg / 15.08 lbs
	D-Slide Lock Mount	5.37kg / 11.84 lbs	5.37kg / 11.84 lbs	5.5kg / 12.13 lbs	7.2kg / 15.87 lbs
	E-Square Pole	5.22kg / 11.51 lbs	5.22kg / 11.51 lbs	5.35kg / 11.79 lbs	7.08kg / 15.61 lbs
	F-Round Pole	5.6kg / 12.35 lbs	5.6kg / 12.35 lbs	5.72kg / 12.61 lbs	7.4kg / 16.31 lbs
	G-Trunnion Mount	5.13kg / 11.31 lbs	5.13kg / 11.31 lbs	5.26kg / 11.60 lbs	6.94kg / 15.30 lbs

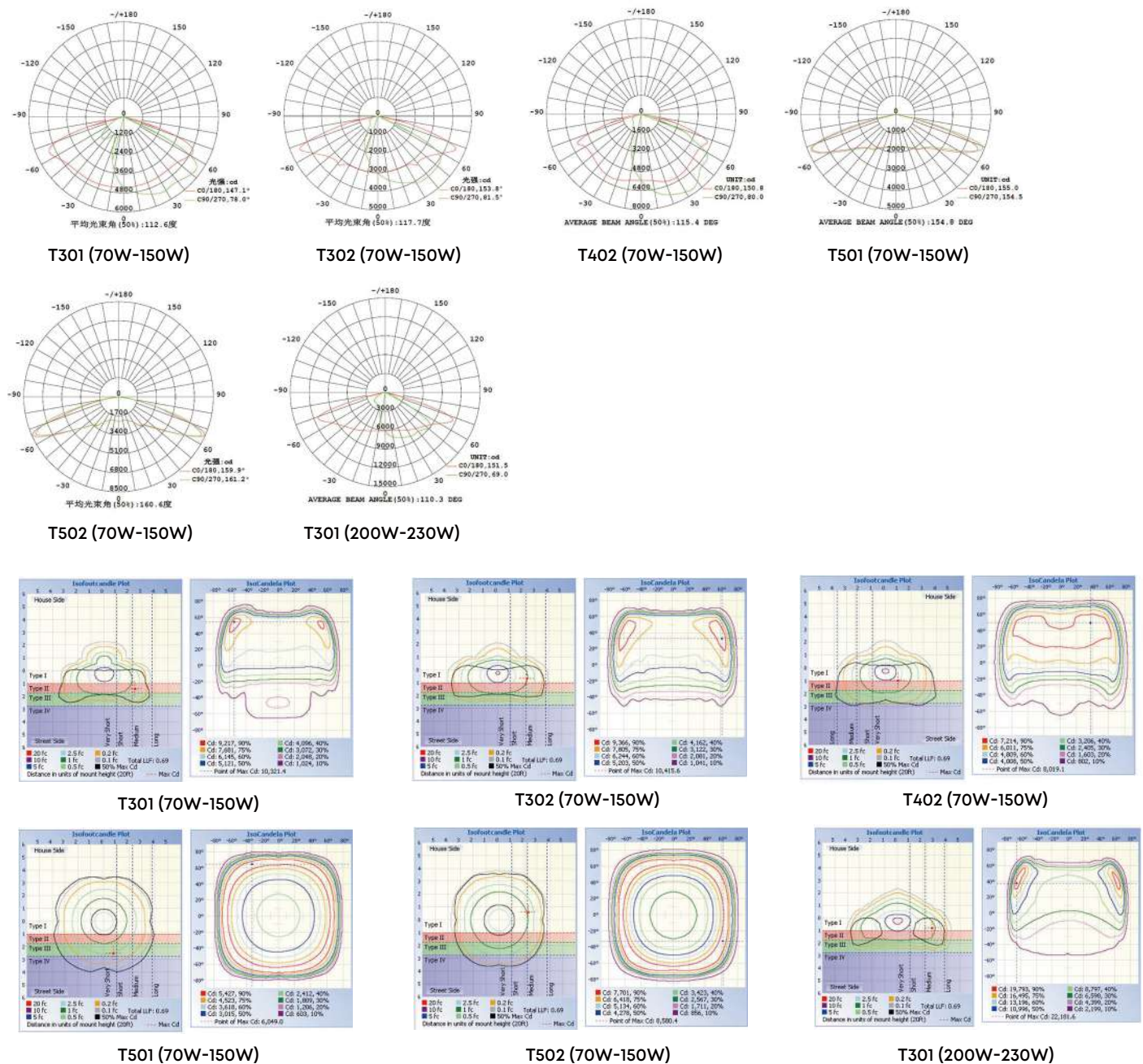
\* Note-1: For the power supply in the United States and Canada, in case the input voltage fluctuation ≥240V the High Voltage solution is highly recommended for performance stability. Improper selection will cause damage to the driver or the light.

# Ordering Information

AOK	VOLTAGE	LED CHIPS	TYPE OF SENSOR	CCT&CRI	DISTRIBUTION	MOUNT	HOUSING	OPTIONS
WATTS	NV=100-277V HV=277-480V	L2=2835 L3=3030 L5=5050	00=Without Sensor PH=Photocell DV=Dimmable PIR=PIR sensor	*3457=3000K-5000K 70CRI *3458=3000K-5000K 80CRI 2770=2700K 70CRI 4070=4000K 70CRI 5070=5000K 70CRI 5770=5700K 70CRI 6570=6500K 70CRI 2780=2700K 80CRI 3080=3000K 80CRI 4080=4000K 80CRI 5080=5000K 80CRI 5780=5700K 80CRI 6580=6500K 80CRI	T3=Type III T4=Type IV T5=Type V	A=Slipfitter B=Adjustable C=Yoke D= Slide & Lock E= Square Pole F= Round Pole G= Trunnion	BK=Black BZ=Bronze WH=White SI=Silver RD=Red BL=Blue	10KV SPD 20KV SPD DIP Switch

Note: \*3457/3458 is for CCT adjustable solution; Please refer to the parameter table to order accordingly.

# Photometry & Illuminance Diagram



## PLA Series Specification Sheet

\*Due to the constant improvements in product development, individual parameters might change. Please refer to our sales or R&D team for most up-to-date content as specifications are subject to change without notice.

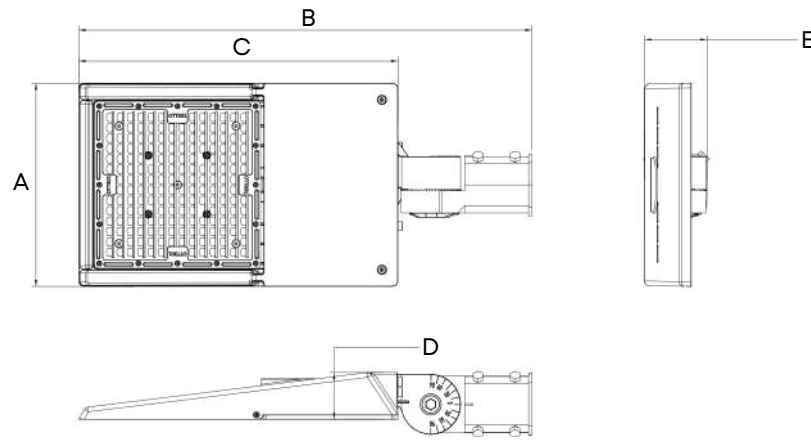
wally@ookledlight.com  
+1 626-986-4050 (US)  
+86 755 2357 9148 (CN)

©2023 AOK LED LIGHT CO., LTD. All Right Reserved.



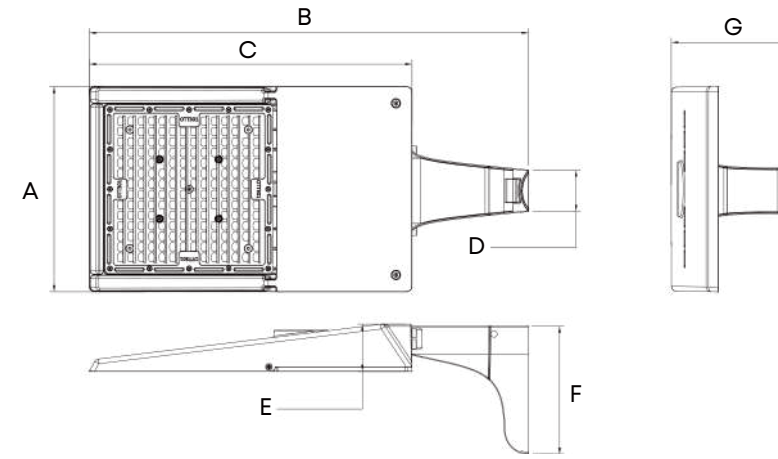
# Dimensions

## Type-A Slip Fitter



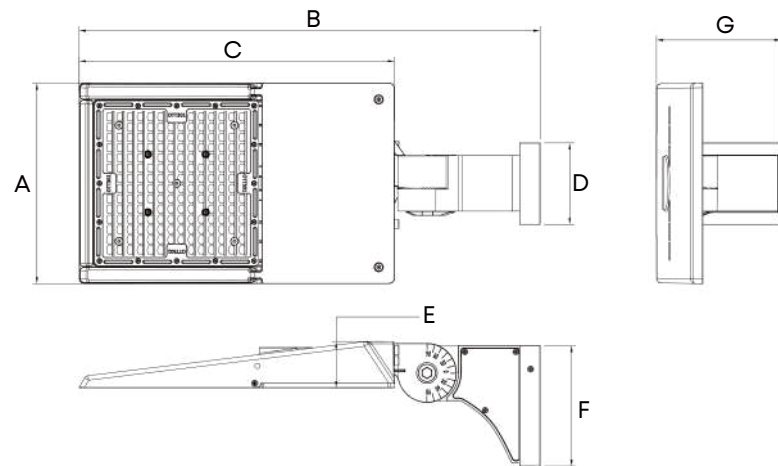
	A	B	C
<b>75W-150W</b>	255.96mm 10.08"	573.16mm 22.57"	403.6mm 15.89"
<b>200W-230W</b>	294.97mm 11.61"	668.54mm 26.32"	498.97mm 19.64"
	D	E	
<b>75W-150W</b>	59.21mm 2.33"	79.19mm 3.12"	
<b>200W-230W</b>	60.16mm 2.37"	79.39mm 3.13"	

## Type-D Slide Lock Mount



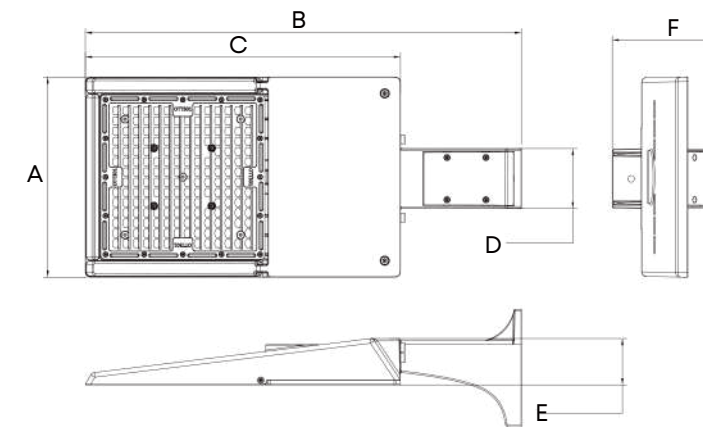
	A	B	C	
<b>75W-150W</b>	255.96mm 10.08"	549.25mm 21.62"	403.6mm 15.89"	
<b>200W-230W</b>	294.97mm 11.61"	644.6mm 25.38"	498.97mm 19.64"	
	D	E	F	G
<b>75W-150W</b>	51.87mm 2.04"	59.21mm 2.33"	160mm 6.3"	162.46mm 6.4"
<b>200W-230W</b>	51.87mm 2.04"	60.16mm 2.37"	160mm 6.3"	162.7mm 6.41"

## Type-B Adjustable Arm



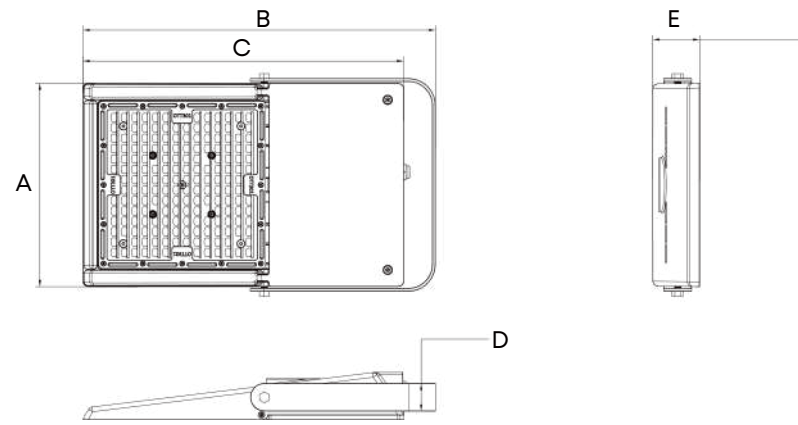
	A	B	C	
<b>75W-150W</b>	255.96mm 10.08"	589.99mm 23.23"	403.6mm 15.89"	
<b>200W-230W</b>	294.97mm 11.61"	685.34mm 26.98"	498.97mm 19.64"	
	D	E	F	G
<b>75W-150W</b>	104mm 4.09"	59.21mm 2.33"	154mm 6.06"	154mm 6.27"
<b>200W-230W</b>	104mm 4.09"	60.16mm 2.37"	154mm 6.06"	159.45mm 6.28"

## Type-E Square Pole



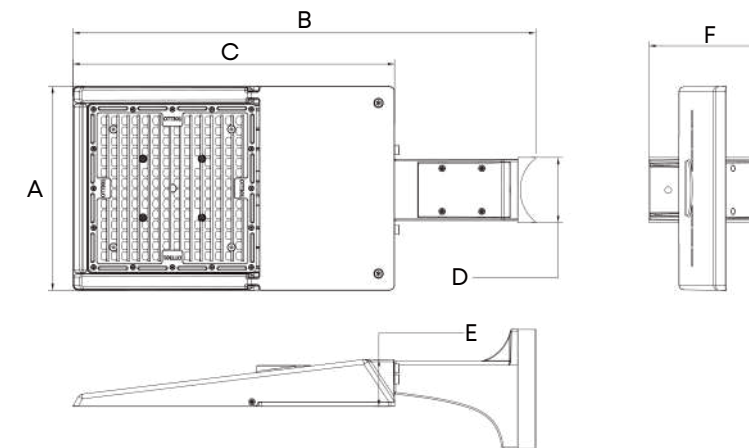
	A	B	C
<b>75W-150W</b>	255.96mm 10.08"	558.25mm 21.98"	403.6mm 15.89"
<b>200W-230W</b>	294.97mm 11.61"	653.6mm 25.73"	498.97mm 19.64"
	D	E	F
<b>75W-150W</b>	77mm 3.03"	59.21mm 2.33"	150mm 5.91"
<b>200W-230W</b>	77mm 3.03"	60.16mm 2.37"	150mm 5.91"

## Type-C Yoke



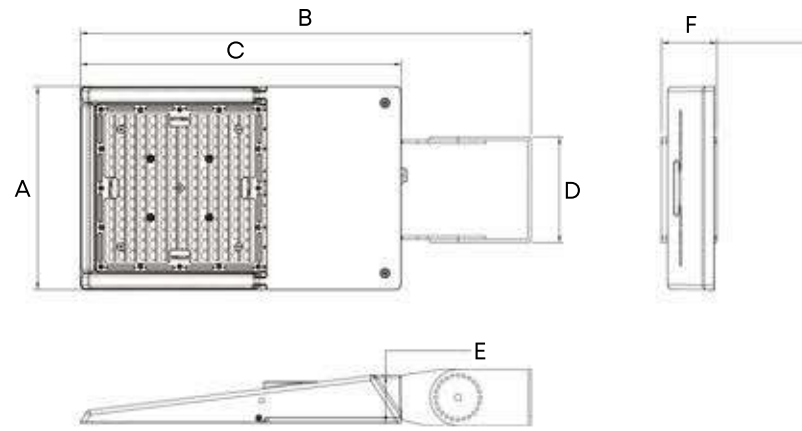
	A	B	C
<b>75W-150W</b>	255.96mm 10.08"	443.65mm 17.47"	403.6mm 15.89"
<b>200W-300W</b>	294.97mm 11.61"	539.98mm 21.26"	498.97mm 19.64"
	D	E	
<b>75W-150W</b>	35mm 1.38"	59.19mm 2.33"	
<b>200W-230W</b>	35mm 1.38"	60.16mm 2.37"	

## Type-F Round Pole



	A	B	C
<b>75W-150W</b>	255.96mm 10.08"	580.72mm 22.86"	403.6mm 15.89"
<b>200W-230W</b>	294.97mm 11.61"	676.06mm 26.62"	498.97mm 19.64"
	D	E	F
<b>75W-150W</b>	81.65mm 3.21"	59.21mm 2.33"	150mm 5.91"
<b>200W-230W</b>	81.65mm 3.21"	60.16mm 2.37"	150mm 5.91"

## Type-G Trunnion



	A	B	C
<b>75W-150W</b>	255.96mm 10.08"	567.25mm 22.33"	403.6mm 15.89"
<b>200W-300W</b>	294.97mm 11.61"	662.58mm 26.09"	498.97mm 19.64"
	D	E	F
<b>75W-150W</b>	133mm 3.03"	59.21mm 2.33"	70mm 2.76"
<b>200W-300W</b>	133mm 3.03"	60.16mm 2.37"	70mm 2.76"

## Accessories



## Mounting Options



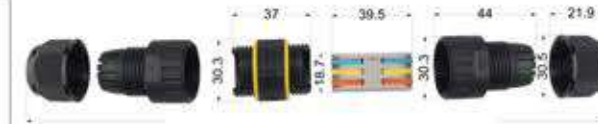
## Other Accessories

### Quick connection terminal



Ratings per IEC/EN  
 Ratings per EN 60664  
 Nominal voltage (II/2): 400V  
 Rated surge voltage (II/2): 4 kV  
 Ambient temperature (operation): +40 °C  
 Continuous operating temperature: 85 °C  
 Rated current: 32A  
 Legend (ratings): (II / 2) Overvoltage category II / Pollution degree 2

### Tool-free Waterproof Connector (2-pin/3-pin/4-pin optional)



IP rating: IP68  
 Rated voltage/current: 400V/24A  
 Test voltage: 2500VAC  
 Square number of applicable line: 0.5-2.5mm<sup>2</sup>  
 Working temperature: -40~+105°C

Unit: mm. Total length of assembly: 108 (REF)

### Thread clamp silicone



Wiring range  
 A=Ø14, cable Ø: 10~14mm  
 A=Ø12, cable Ø: 9~12mm  
 A=Ø8.5, cable Ø: 5~9mm

\*As the products are upgraded, the accessories may differ from those described in the pictures. Please consult with our sales team for updated details and order separately.





# Illuminate Your Future

**5** **10** **WARRANTY**  
5 Year Limited Warranty,  
10 Year Preferred Warranty.  
Please consult with our sales for detailed agreement.

wally@aokledlight.com  
www.aokledlight.com  
+1 626-986-4050 (US)  
+86 755 2357 9148 (CN)

Manufacturing: Building 1 & 4, St. George's Science and Technology Industrial Park, Shajing Street, Shenzhen, China, 518124.  
Fuzhou HQ: Room 301, Yujing Business Center Zone 1, No. 12 Baihuazhou road, Cangshan district, Fuzhou, China, 350007  
NorthAmerica HQ: 18541 E Gale Ave, City of Industry, CA91748 USA

Copyright ©2023 AOK LED LIGHT CO., LTD. All Right Reserved.