



**SL** SOLAR STREET LIGHT  
20W-100W

**Better Performance  
Starts From Better Lighting**  
[www.aokledlight.com](http://www.aokledlight.com)

## > Features of SL Series

Outdoor solar lighting systems employ solar cells that transform sunlight into electricity, which is subsequently stored in batteries for nocturnal usage. Their utilization doesn't lead to an escalation in your electricity costs.

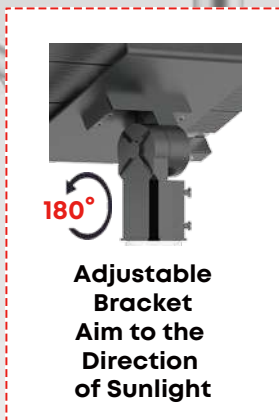
- The SL Solar LED Street Light embodies a conventional street light design, powered by solar energy, characterized by a discreet profile. It includes dimming capabilities and offers intelligent IOT control functionality.
- Deep cycle battery, charge and discharge over 2000 times.
- Continuously work 2-3 rainy days in intelligent mode.
- Die-cast aluminum fixture housing ;
- UV stabilized polyester powder paint finish for durability and corrosion resistance;
- Mounting options: side entry installation;
- Streamlined design to reduce wind resistance;
- Reserved sensor location for ZigBee;
- Powdering / PC + Tempered glass cover.

UP TO <b>177</b> lm/W	<b>CRI</b> 70/80/90	<b>IoT-4G</b> Zigbee Internet	<b>IP65</b>	<b>GRID HYBRID</b> POWER OPTIONS
<b>L90B10</b> >100000hrs @ 25°C	• 3000K • 4000K • 5000K • 5700K • 6500K	Working Temperature <b>Environment</b> -10°C~50°C (14°F ~ 122°F)	<b>DIM</b>	<b>SAFETY PROTECTION</b> <b>AUTO TURN-OFF</b>



### KEY ADVANTAGES

- **Monocrystalline Silicon Solar Panel**  
25 years lifespan ensures durability
- **Solar Panel Integrated with Battery Box**  
Combining design for seamless integration, facilitating straightforward maintenance.
- **High Lumen Output**  
High-performance LEDs efficacy >177lm/W
- **Adjustable & Reinforced Bracket**  
Robust shock resistance and the flexibility for panel alignment with sunlight through free adjustments.
- **Long Lifespan Li-ion Battery & MPPT**  
Intelligent temperature control guarantees prolonged operation and safeguards battery lifespan
- **Grid Hybrid Solution Optional**  
Grid Hybrid Power optional, increased adaptability to fulfill project demands
- **Intelligent Lighting Control**  
Smart time-based lighting control, aligning with lighting requirements flexibly.



# > Photometrics Design

Lumen efficiency >177lm/W  
achieve higher illumination



Lumileds 3030/5050 LED chip creates a first-class light source. By choosing it, single lumen efficacy >177lm/W, with the aluminum lamp base and sealed lens, with its excellent heat dissipation, it is as if the LED chip has been placed in a sealed unit. Thus it maintains high brightness levels with very little fading. The sealed lenses are made of strong UV-protected PC and are aging and shock-resistant; The well-optimized light distribution makes for a more uniform and wider lighting area.

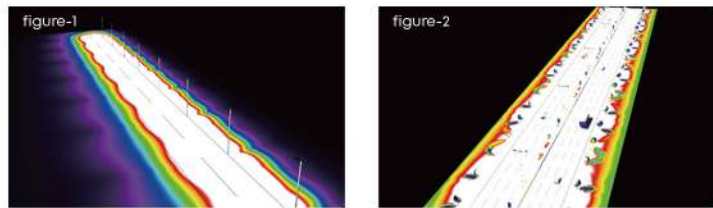
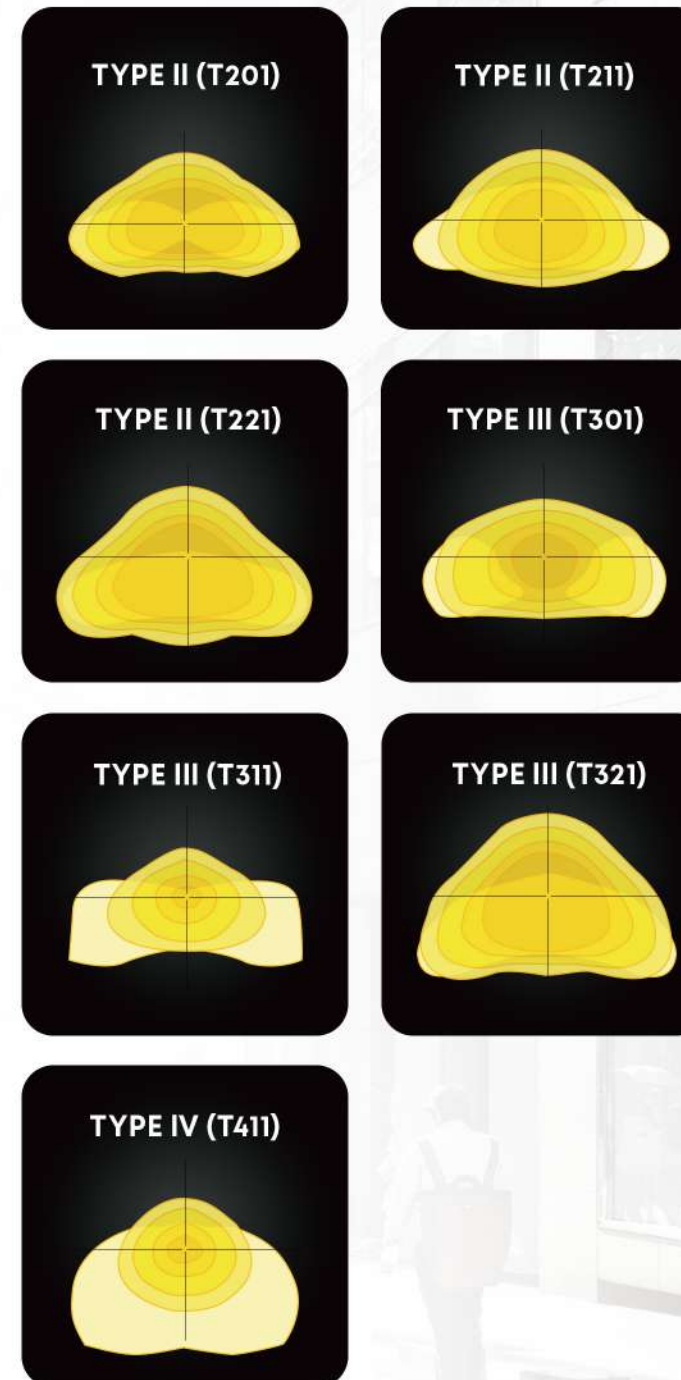


Figure-1: Example of rural branch road  
Figure-2: Example of main road or avenue

Planning and analysis of street lights can be done by using lighting simulation & design software, which allows the lighting effect a more intuitive display. It uses rendering, the process of generating an image from a model, by means of computer programs resulting in different tools for measuring the simulated light levels.

## Distribution



## > Application Reference

- Road & street lighting
- Residential area lighting
- Garden, parks & perimeter lighting
- Parking lot lighting
- Industrial and commercial park lighting
- Railway & station side lighting
- Riverside & jogging track lighting



# ► Application Reference

- Road & street lighting
- Residential area lighting
- Garden, parks & perimeter lighting
- Parking lot lighting
- Industrial and commercial park lighting
- Railway & station side lighting
- Riverside & jogging track lighting



## > Application of Typical Networking of Smart Street Light(optional)



### Single lamp control

Control street light switch, brightness adjustment, current acquisition. Voltage acquisition, power calculation and power factor functions.



### Wireless network

From the device to the cloud, NB-IoT, GPRS, LTE and other cellular networks are used, without cabling.



### Fault management

The street light can automatically report fault information, troubleshoot faults through the platform, and query historical faults.



### Energy management

Supports online monitoring and storage of energy consumption and configuring energy saving policies.



### Intelligent monitoring

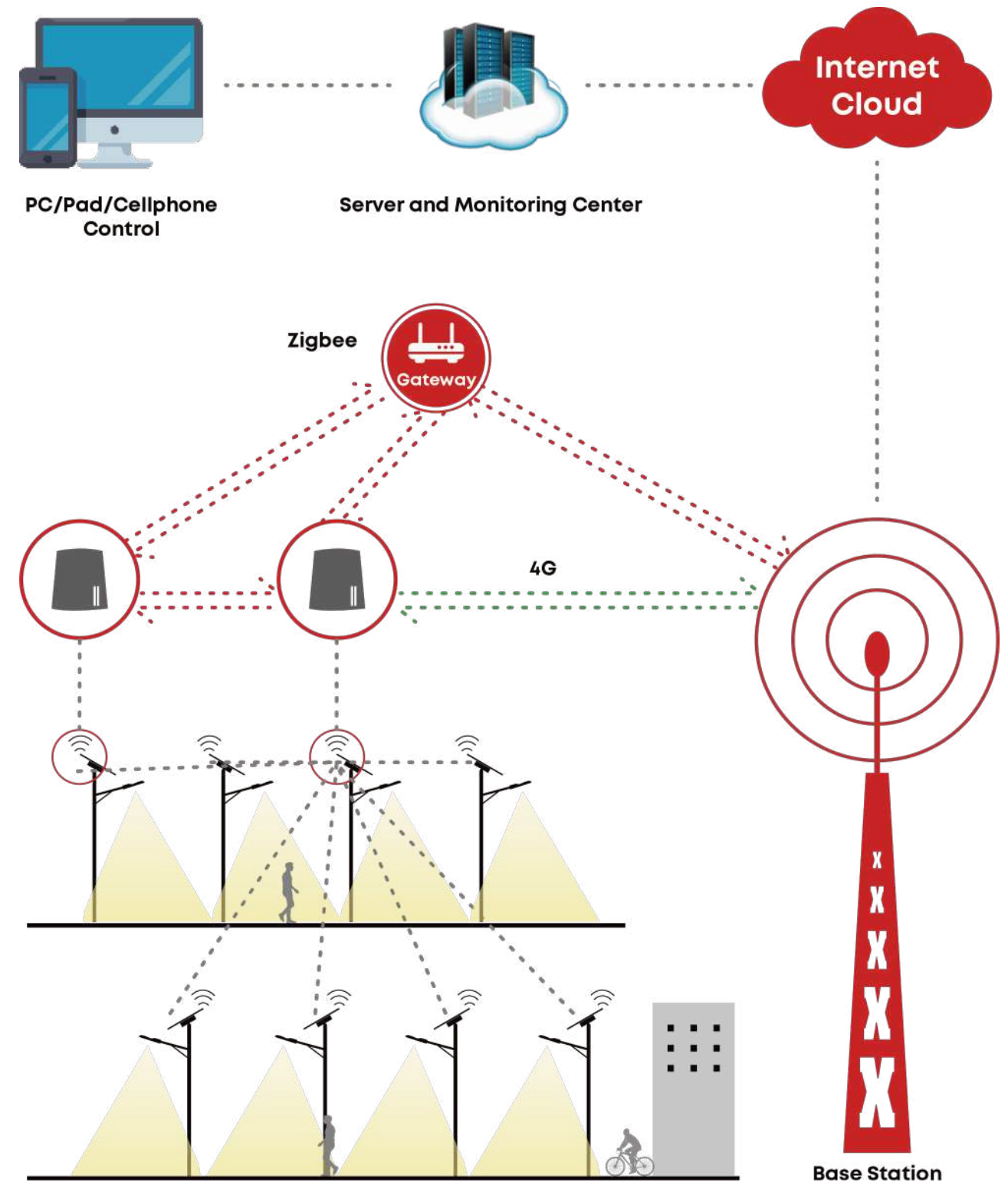
Support remote monitoring and remote control through PC web and mobile APP.



### Big data analysis

Based on the massive data of the platform, street light fault analysis and energy consumption analysis can be carried out to provide a basis for the maintenance of street light equipment to save energy and reduce consumption.

## APPLICATION OF TYPICAL IOT NETWORKING



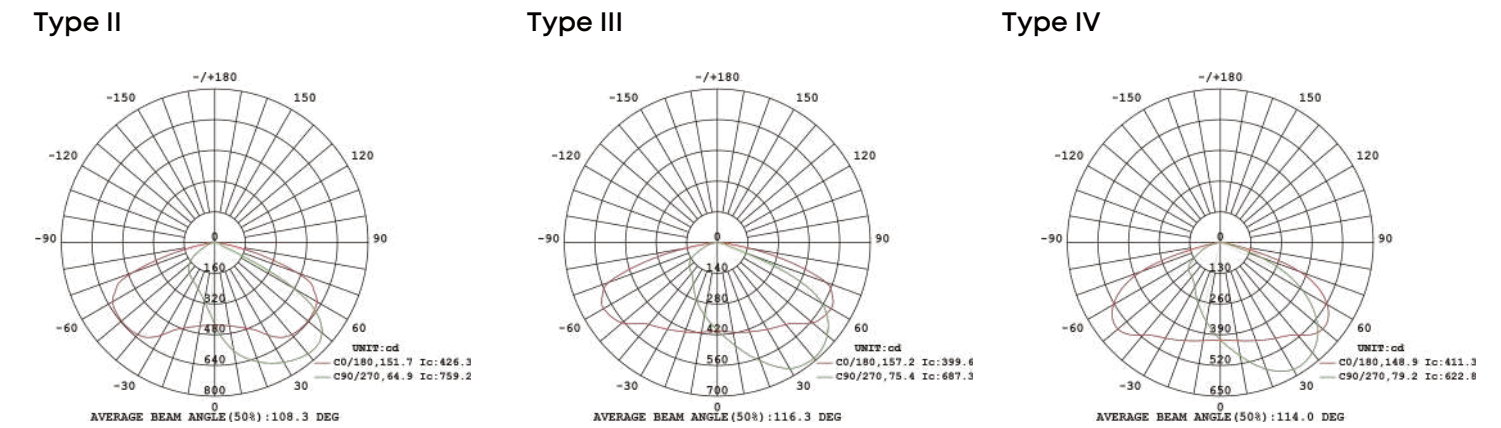
# Parameter Table

Electrical Data						
Model	AOK-20Wsl	AOK-40Wsl	AOK-60Wsl	AOK-80Wsl	AOK-100Wsl	
Power	20W	40W	60W	80W	100W	
Input voltage	12-24V DC					
THD	<20%					
PF	>0.95					
Control Option	Dimming, Zigbee/4G					
Photometric Data						
LED Manufacturer	LUMILEDS					
LED model	Lumileds 3030/Lumileds 5050					
Lens	Polycarbonate					
Luminous flux(lm, Std. Dev. ±5%)	3030	3520lm	6640lm	10020lm	13360m	16700lm
	5050	3540lm	6680lm	10080lm	13440lm	16800lm
Efficacy(lm/W, Std. Dev. ±5%)	3030	176lm/W	166lm/W	167lm/W	167lm/W	167lm/W
	5050	177lm/W	167lm/W	168lm/W	168lm/W	168lm/W
ULOR	= 0%, @ Luminaire inclination 0°					
CCT	3000K, 4000K, 5000K, 5700K, 6500K					
CRI	70Ra, 80Ra, 90Ra optional					
Beam angle	Type II/Type III/Type IV/Type V					
Mechanical Data						
IP Rating	IP65, according to standard EN 60529					
SCx(Fixture)	Front: 0.014 m²; Side: 0.0214 m²		Front: 0.0219 m²; Side: 0.035 m²			
SCx (Solar Panel)	Front: 0.45m²; Front-side: 0.32m²; Side: 0.08m²;	Front: 0.71m²; Front-side: 0.47m²; Side: 0.09m²;	Front: 1.14m²; Front-side: 0.73m²; Side: 0.09m²;	Front: 1.59m²; Front-side: 0.99m²; Side: 0.12m²;	Front: 1.59m²; Front-side: 0.99m²; Side: 0.12m²;	
Housing	Heavy-duty die-cast aluminum (EN AC-46100)					
Surface treatment	Anti-UV thermosetting polyester / 80 micron epoxy primer + Anti-UV thermosetting polyester (for extremely corrosive environments).					
Painting	Silver gray, Customized Color					
Mounting	Side entry (fixture) Post top(Solar panel)					
Configuration Data						
Photovoltaic panel	Single crystal photovoltaic panel					
Solar Panel	18V/72W	18V/130W	36V/200W	36V/280W	36V/280W	
Li-on Battery	691.2WH	1305.6WH	1996.8WH	2611.2WH	2611.2WH	
Charing Time	8hrs					
Battery lifespan	>2000 times cycle					
Run Time(@full power)	30hrs					
Ambient Temperature	-10°C to 50°C (-14°F to 122°F)					
Storage Temperature	-20°C to 45°C (-4°F to 113°F)					
Charing Temperature	0°C to 45°C (32°F to 113°F)					
Control system	MPPT intelligent controller					
Maximum Autonomy	Operate under 3-5 rainy days					
Motion Sensor Mode	30%-100% 102hrs (Max), 20%-80% 155hrs (Max)					
Constant Mode(Full Charge)	100% 30hrs, 70% 45hrs, 40% 78hrs					
Others						
Lifespan	L90B10 - 100000hrs, @Tq 25°C					
Warranty	3 years in standard, 5 years optional					
Certification	CE RoHS (The company is ISO 9001 and ISO 14001 certified.)					
Product Size (Solar panel)	818*493*468mm / 32.2*19.4*18.4 inches	1003*653*508mm / 39.5*25.7*20 inches	1613*653*508mm / 63.5*25.7*20 inches	1500*990*593mm / 59.1*39.0*23.3 inches	1500*990*593mm / 59.1*39.0*23.3 inches	
Net Weight	25.5kg / 56.22 lbs	35.5kg / 78.26 lbs	45.5kg / 100.31 lbs	73kg / 160.94 lbs	73kg / 160.94 lbs	
Carton Size	Fixture: 520*270*135mm / 20.1*10.6*5.3 inches	Fixture: 520*270*135mm / 20.1*10.6*5.3 inches	Fixture: 520*270*135mm / 20.1*10.6*5.3 inches	Fixture: 825*360*200mm / 32.5*14.2*7.9 inches	Fixture: 825*360*200mm / 32.5*14.2*7.9 inches	
	Box: 402*400*290mm / 15.8*15.7*11.4 inches	Box: 620*400*290mm / 24.4*15.7*5.3 inches	Box: 691*400*290mm / 27.2*15.7*5.3 inches	Box: 1186*400*290mm / 46.7*15.7*11.4 inches	Box: 1186*400*290mm / 46.7*15.7*11.4 inches	
Gross Weight	Panel: 898*573*125mm / 35.4*25.6*4.9 inches	Panel: 1083*733*125mm / 42.6*28.9*4.9 inches	Panel: 1693*733*125mm / 66.7*28.9*4.9 inches	Panel: 1560*1050*125mm / 61.4*41.3*4.9 inches	Panel: 1560*1050*125mm / 61.4*41.3*4.9 inches	
	Fixture: 3kg / 6.61 lbs Box: 19kg / 41.89 lbs Panel: 8kg / 17.64 lbs	Fixture: 3kg / 6.61 lbs Box: 25kg / 55.12 lbs Panel: 12kg / 26.46 lbs	Fixture: 3kg / 6.61 lbs Box: 38kg / 83.78 lbs Panel: 16kg / 35.27 lbs	Fixture: 8.1kg / 17.86 lbs Box: 46kg / 101.41 lbs Panel: 25kg / 55.12 lbs	Fixture: 8.1kg / 17.86 lbs Box: 46kg / 101.41 lbs Panel: 25kg / 55.12 lbs	
Recommend installation height	3-4M(10-13ft)	5-6M(16-19ft)	7-8M(22-26ft)	9-10M(29-32ft)	11-12M(36-39ft)	
Application field	Road & street, residential area, garden, parks, parking lot, industrial and commercial parks, railway & station side, riverside & jogging track					
Important note!	The provided information is solely for reference; the official measurement report holds higher authority.					

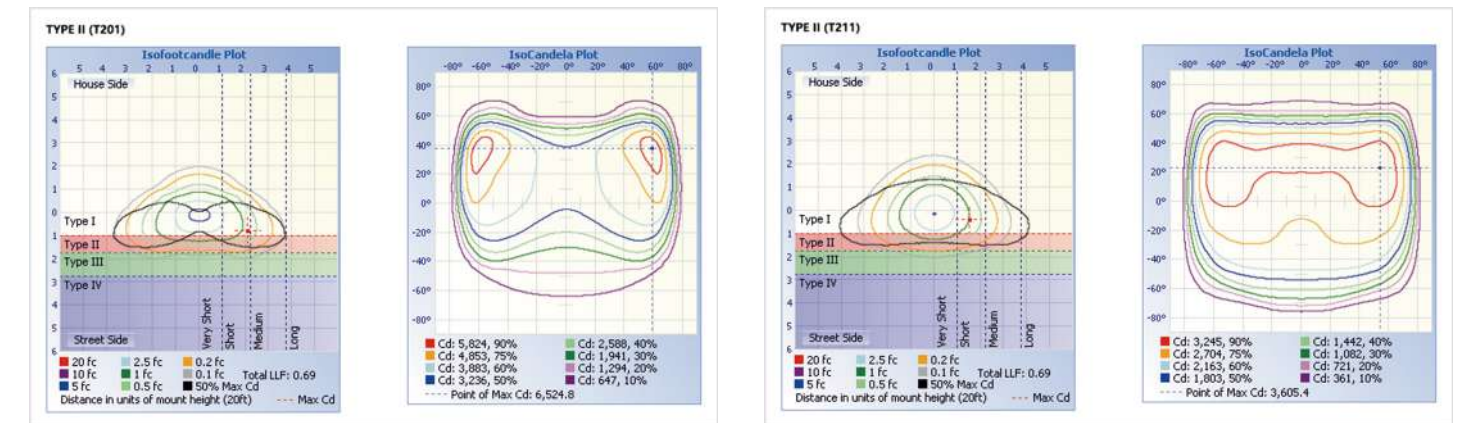
# Ordering Information

AOK	WATTS	VOLTAGE	LED CHIPS	CCT&CRI	DISTRIBUTION	MOUNT	OPTION
20WsL	NV1=12.8V DC	L3=LUMILEDS 3030	3070=3000K 70CRI	T2=TYPE II	A=Top Post	Intelligent Control	
40WsL	NV2=25.6V DC	L5=LUMILEDS 5050	4070=4000K 70CRI	T3=TYPE III			
60WsL			5070=5000K 70CRI	T4=TYPE IV			
80WsL			5770=5700K 70CRI	T5=TYPE V			
100WsL			6570=6500K 70CRI				
			3080=3000K 80CRI				
			4080=4000K 80CRI				
			5080=5000K 80CRI				
			5780=5700K 80CRI				
			6580=6500K 80CRI				

# Photometry



# Illuminance Diagram



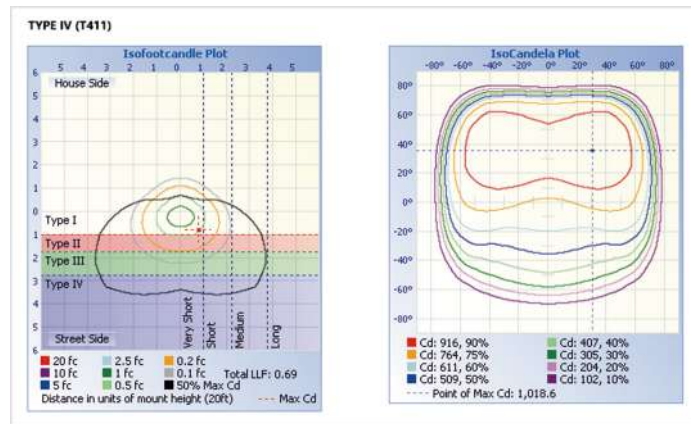
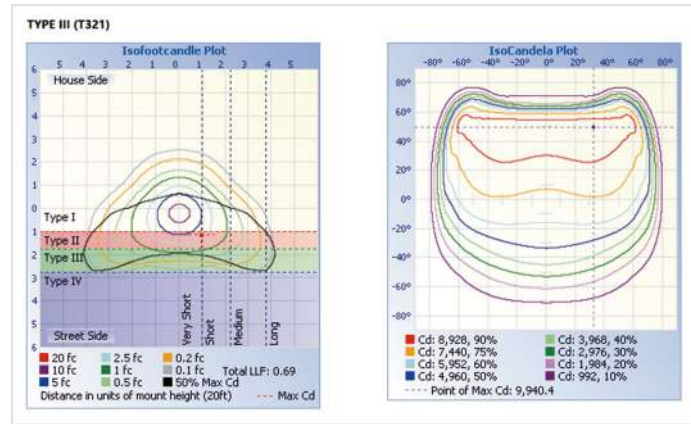
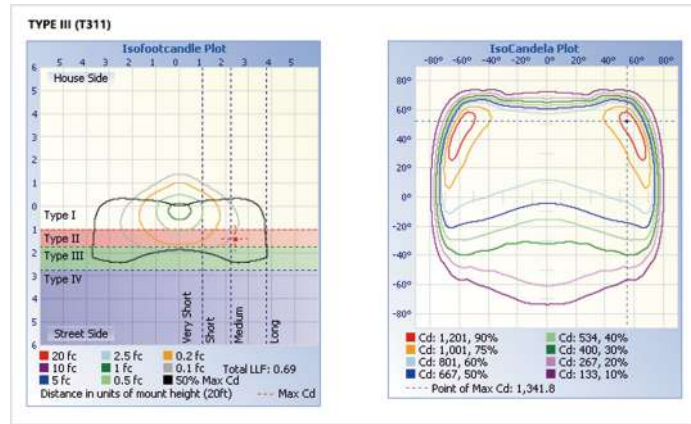
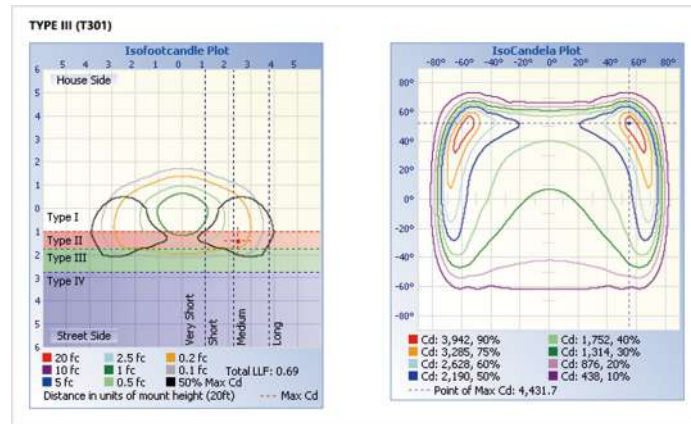
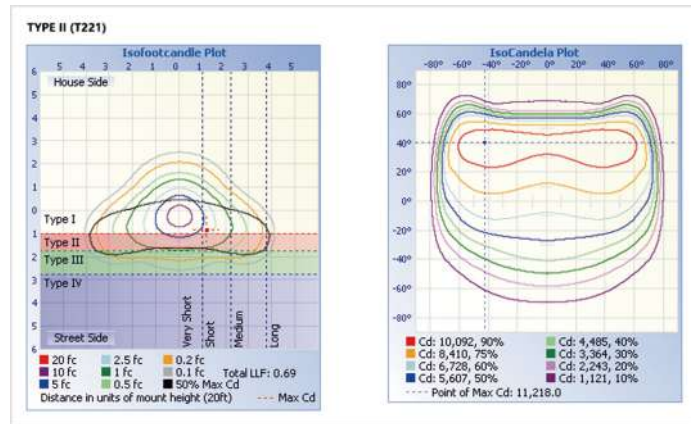
# SL Series Specification Sheet

\*Due to the constant improvements in product development, individual parameters might change. Please refer to our sales or R&D team for most up-to-date content as specifications are subject to change without notice.

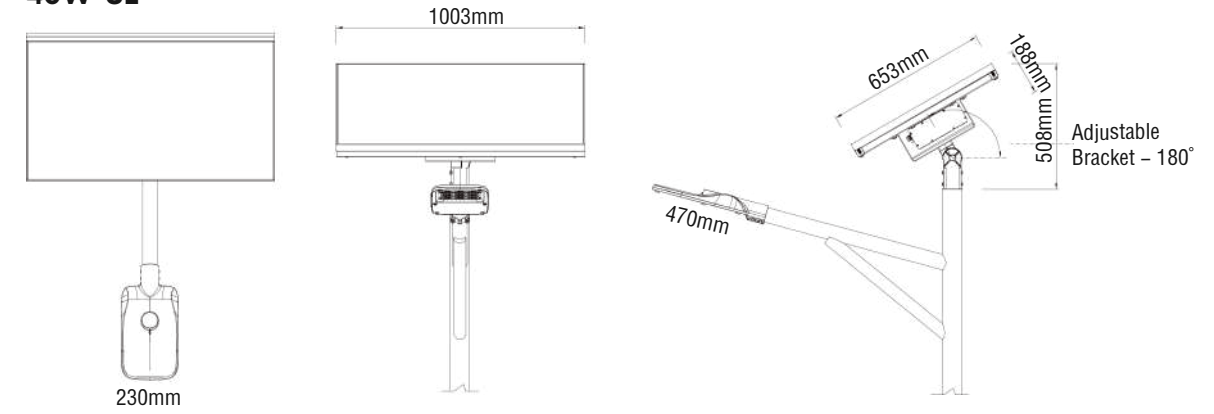
wally@ookledlight.com  
+1 626-986-4050 (US)  
+86 755 2357 9148 (CN)

©2023 AOK LED LIGHT CO., LTD. All Right Reserved.

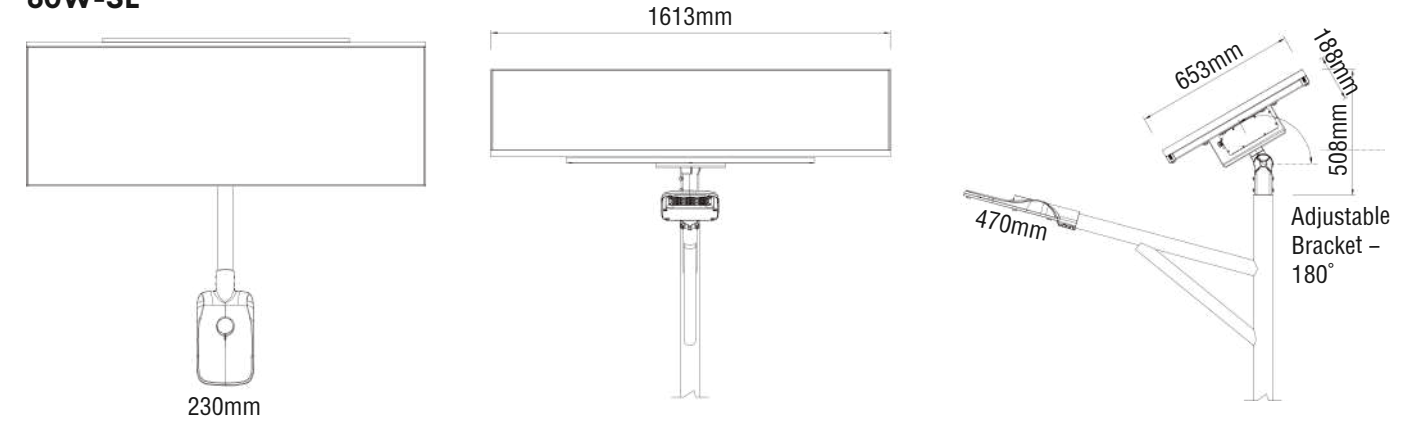




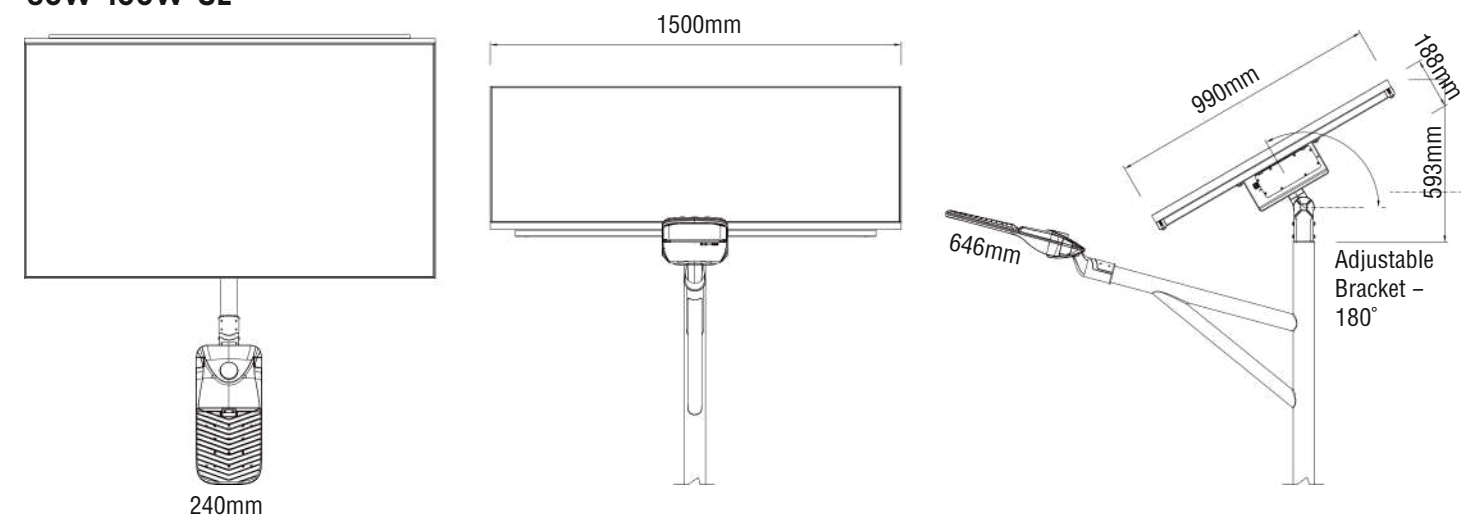
**40W-SL**



**60W-SL**

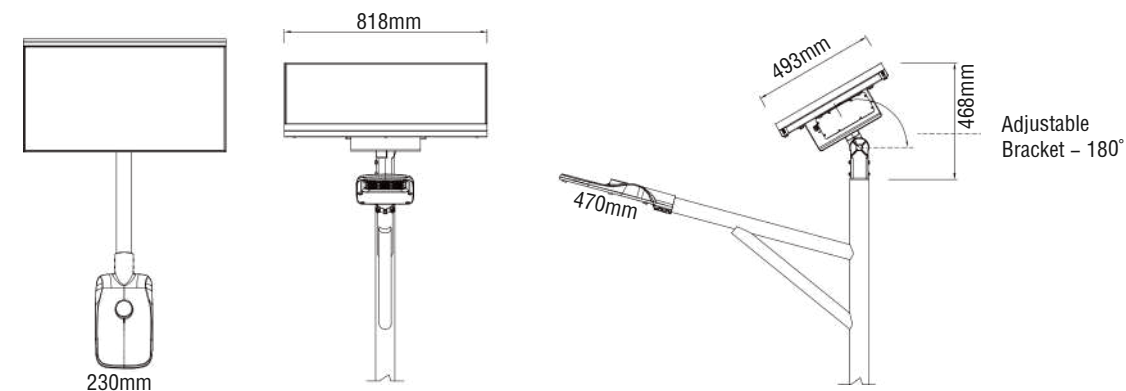


**80W-100W-SL**



**Dimensions**

**20W-SL**



**Accessories**



MPPT 4G/Zigbee-IoT



Programable Remote Control (optional)

Caution:  
Accessories need to be ordered separately. As the products are upgraded, the accessories may differ from those described in the pictures. Please consult with our sales team for updated details and order separately.

**SL Series Specification Sheet**

\*Due to the constant improvements in product development, individual parameters might change. Please refer to our sales or R&D team for most up-to-date content as specifications are subject to change without notice.

wally@ookledlight.com  
+1 626-986-4050 (US)  
+86 755 2357 9148 (CN)

©2023 AOK LED LIGHT CO., LTD. All Right Reserved.







# Illuminate Your Future

**3** **5** **WARRANTY**  
3 Year Limited Warranty,  
5 Year Preferred Warranty.  
Please consult with our sales for detailed agreement.

wally@aokledlight.com  
www.aokledlight.com  
+1 626-986-4050 (US)  
+86 755 2357 9148 (CN)

Manufacturing: Building 1 & 4, St. George's Science and Technology Industrial Park, Shajing Street, Shenzhen, China, 518124.  
Fuzhou HQ: Room 301, Yujing Business Center Zone 1, No. 12 Baihuazhou road, Cangshan district, Fuzhou, China, 350007  
NorthAmerica HQ: 18541 E Gale Ave, City of Industry, CA91748 USA

Copyright ©2023 AOK LED LIGHT CO., LTD. All Right Reserved.