

# Installation Guide

This procedure is designed as an installation aid. Skilled tradespeople that are familiar with general construction and electrical installation techniques should perform the installation. Licensed electricians should provide electrical installation connections. Installations and connections should be done in accordance with all national and local codes and permits. In no way is this document intended to construe warranty or fitness of use of the products described, nor is it intended to provide safety instruction for those installing the product.

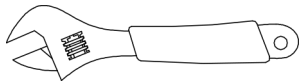
## ⚡ WARNING

Before proceeding with installation or service maintenance of this product:

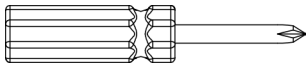
- Disconnect power to reduce electrical shock risk.
- Review the entire Installation Guide.
- Inspect this properly packaged product for any damage that may have occurred during transit.
- Verify product application complies with manufacturer design recommendations.
- Verify the availability of necessary tools and incidental material.
- Verify applicable code requirements. Field assembly and installation are subject to acceptance by local inspection authority.
- Appropriate safety equipment to be determined by end user, per applicable safety standards and precautions.

## Bracket Knuckle installation method

-Installation Tools Reference - Packing List:

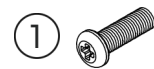
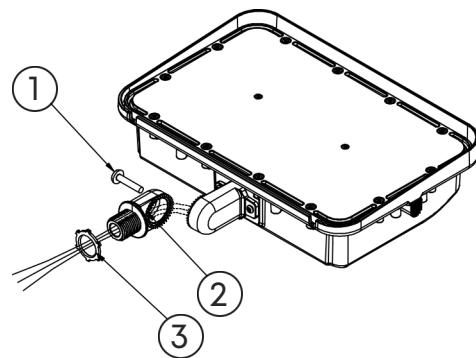


Monkey Spanner

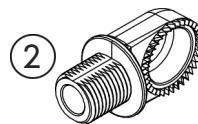


Cross Screwdriver

Note: Installation tool is not included with product.



M4\*12mm 2PCS

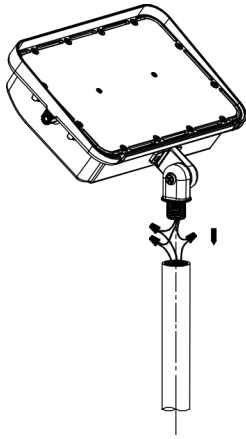


NPS bracket threaded rod  
1PCS



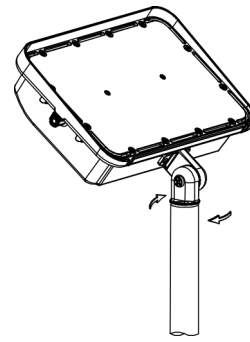
G1/2 Nut 1PCS

A



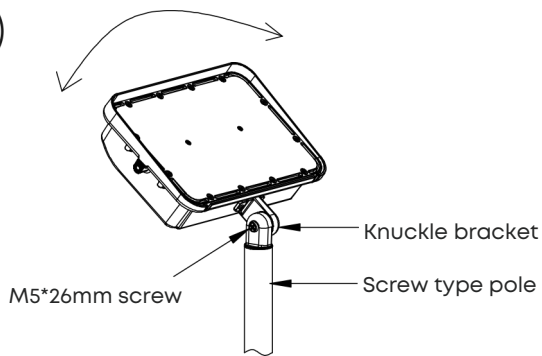
Step 1 -Connect the municipal wire in the NPS screw with the lamp input wire, as shown in Figure G .

B



Step 2 -Plug the in put cable into the screw,tighten it and make the seals waterproof.

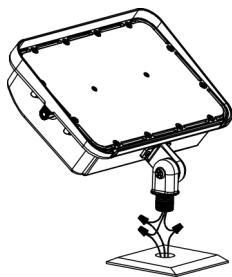
C



Step 3 -Loosen the M5\*26mm screw and turn the bracket to adjust the required angle. The installation position of the vertical aiming display is tightened.

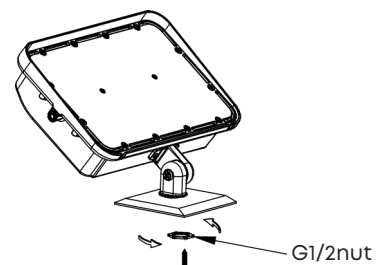
## Knuckle with junction box

D



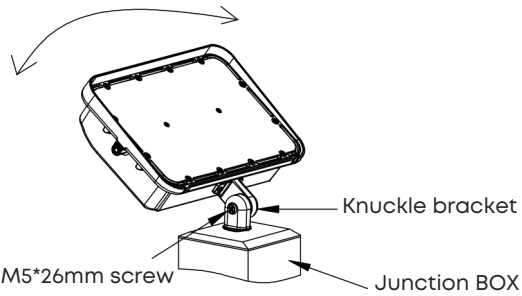
Step 1 -Connect the municipal wire in the junction box with the lamp input wire,as shown in Figure G .

E



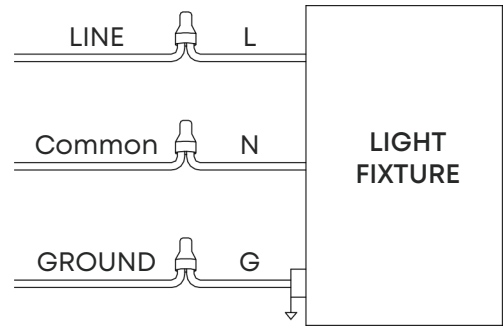
Step 2 -Align the Knuckle bracket with the 1/2" NPS hole on the junction box, tighten it and make the seals waterproof.

F



Step 3 -Loosen the M5' 26mm screw and turn the bracket to adjust the required angle. The installation position of the vertical aiming display is tightened.

G



H

1. Adjust the color temperature and power according to the following instructions and loosen the waterproof plug fixture, as shown in Figure 4.  
Power factory Settings: On/off option.  
Color temperature Factory setting: 4000K (CCT).
2. Select the power gear by toggling the DIP switch, as shown in Figure 5.  
The initial power is reduced by 10% per gear for a total of 4 gears.  
(For example, the initial power 60W is adjustable: 54W, 50W, 45W, 41W).
3. Select the color temperature (CCT) by flicking the dip switch, as shown in Figure 6.  
Color temperature DIP switch: First gear :3000K; second gear :4000K and third gear :5000K.
4. Reinstall the waterproof plug and tighten it.

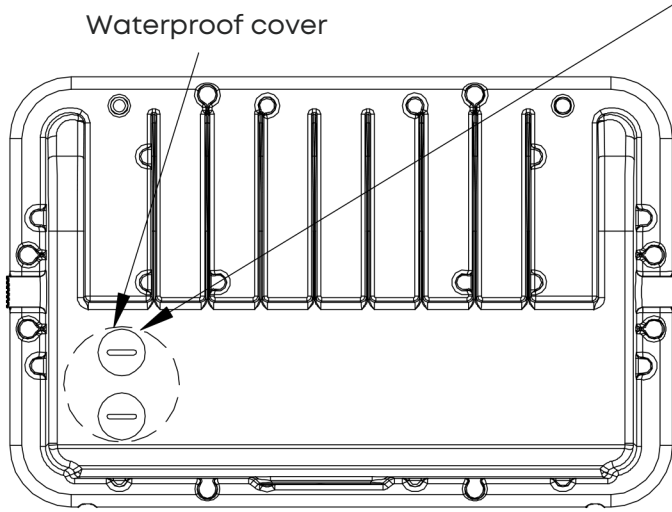


Figure-F(CCT and power switch)

4

