

# Installation Guide

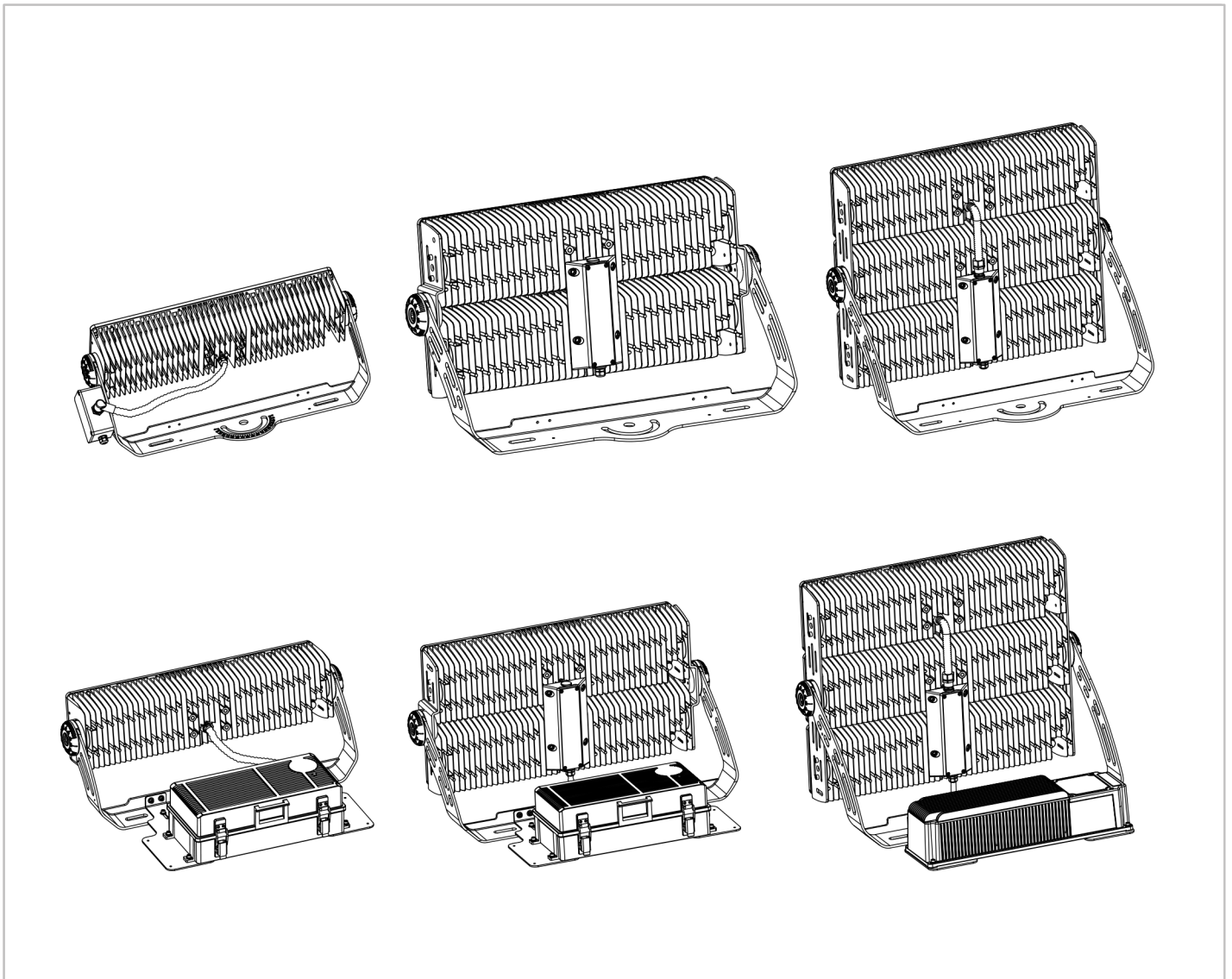
This procedure is designed as an installation aid. Skilled tradespeople that are familiar with general construction and electrical installation techniques should perform the installation. Licensed electricians should provide electrical installation connections. Installations and connections should be done in accordance with all national and local codes and permits. In no way is this document intended to construe warranty or fitness of use of the products described, nor is it intended to provide safety instruction for those installing the product.

## **⚡ WARNING**

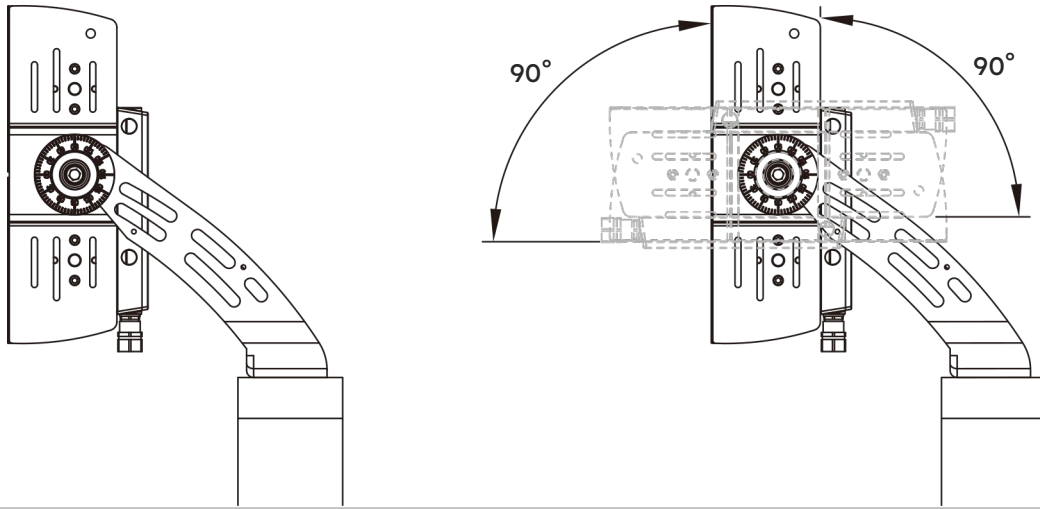
Before proceeding with installation or service maintenance of this product:

- Disconnect power to reduce electrical shock risk.
- Review the entire Installation Guide.
- Inspect this properly packaged product for any damage that may have occurred during transit.
- Verify product application complies with manufacturer design recommendations.
- Verify the availability of necessary tools and incidental material.
- Verify applicable code requirements. Field assembly and installation are subject to acceptance by local inspection authority.
- Appropriate safety equipment to be determined by end user, per applicable safety standards and precautions.

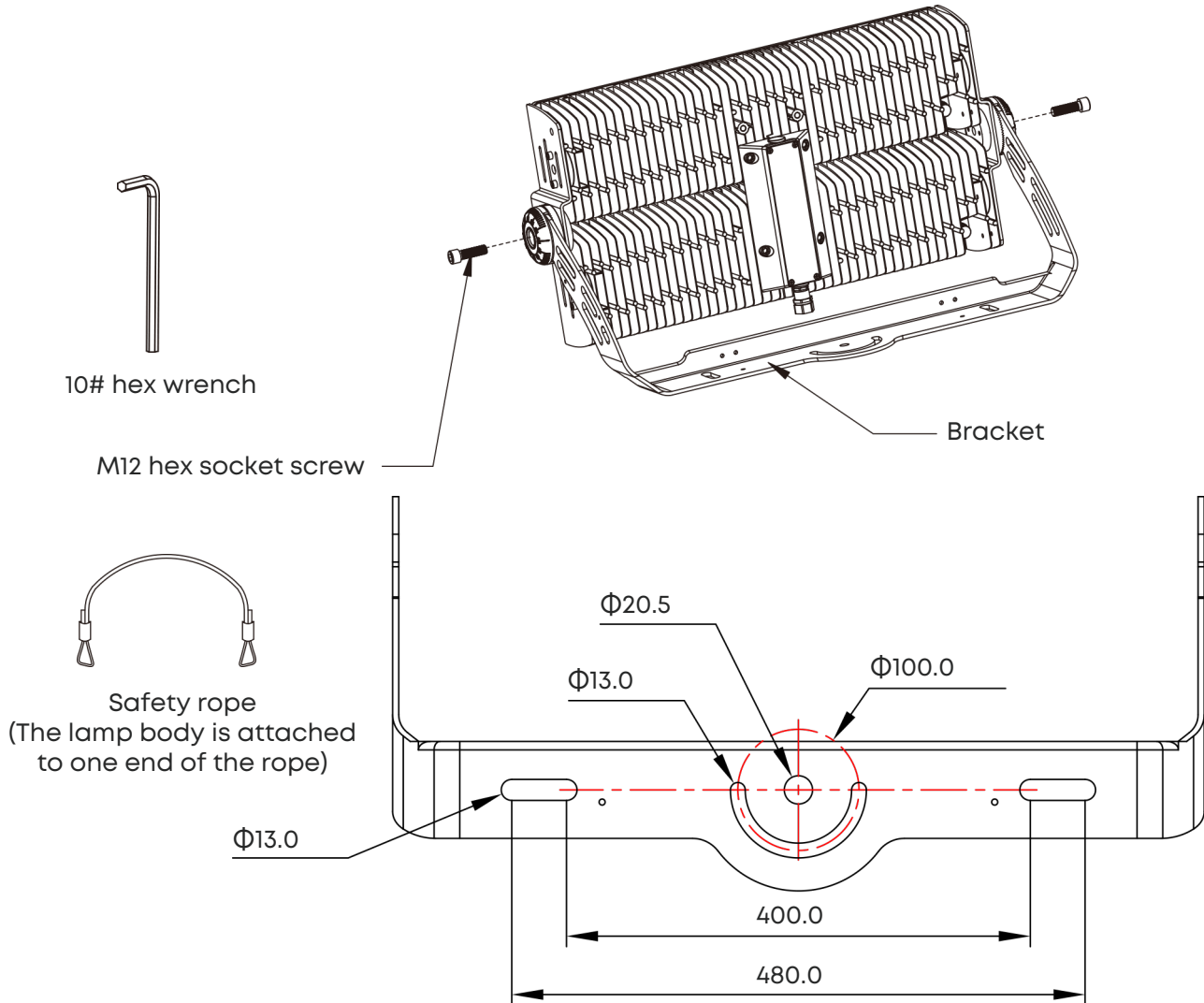
## Type-U Bracket Installation



## I: Rotation Angle 180°

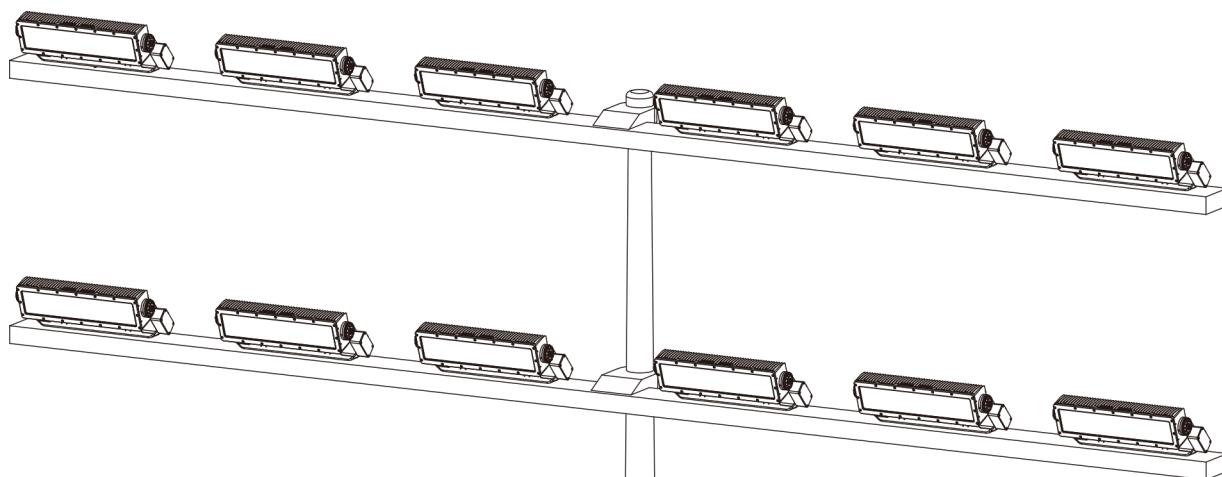


## II: Tools



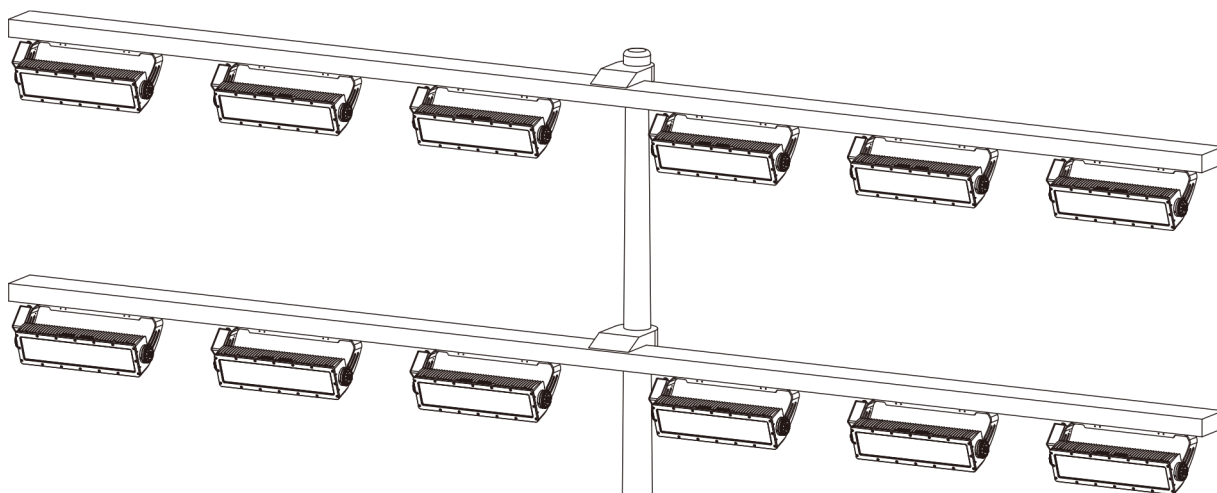
## Matters Needing Attention

1. If installing on a single level, when adjusting the direction of the luminaires according to the light distribution simulation requirements, please pay attention to whether there is any mutual light blocking between the luminaires.
2. If installing on multiple levels, such as double or multiple layers, according to the light distribution simulation requirements, please pay attention to whether there is any light blocking between the upper and lower luminaires.



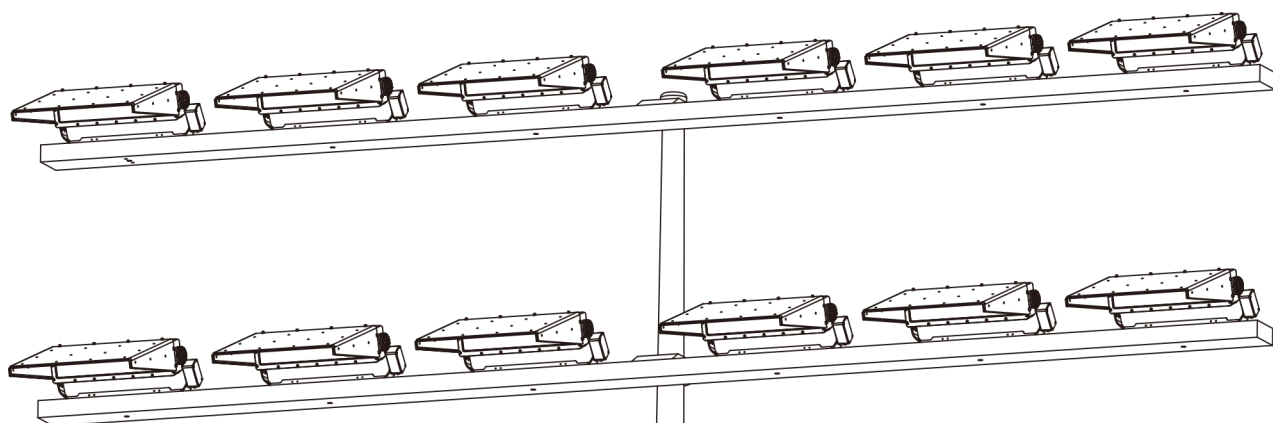
## Matters Needing Attention

1. If installing on a single level, when adjusting the direction of the luminaires according to the light distribution simulation requirements, please pay attention to whether there is any mutual light blocking between the luminaires.
2. If installing on multiple levels, such as double or multiple layers, according to the light distribution simulation requirements, please pay attention to whether there is any light blocking between the upper and lower luminaires.



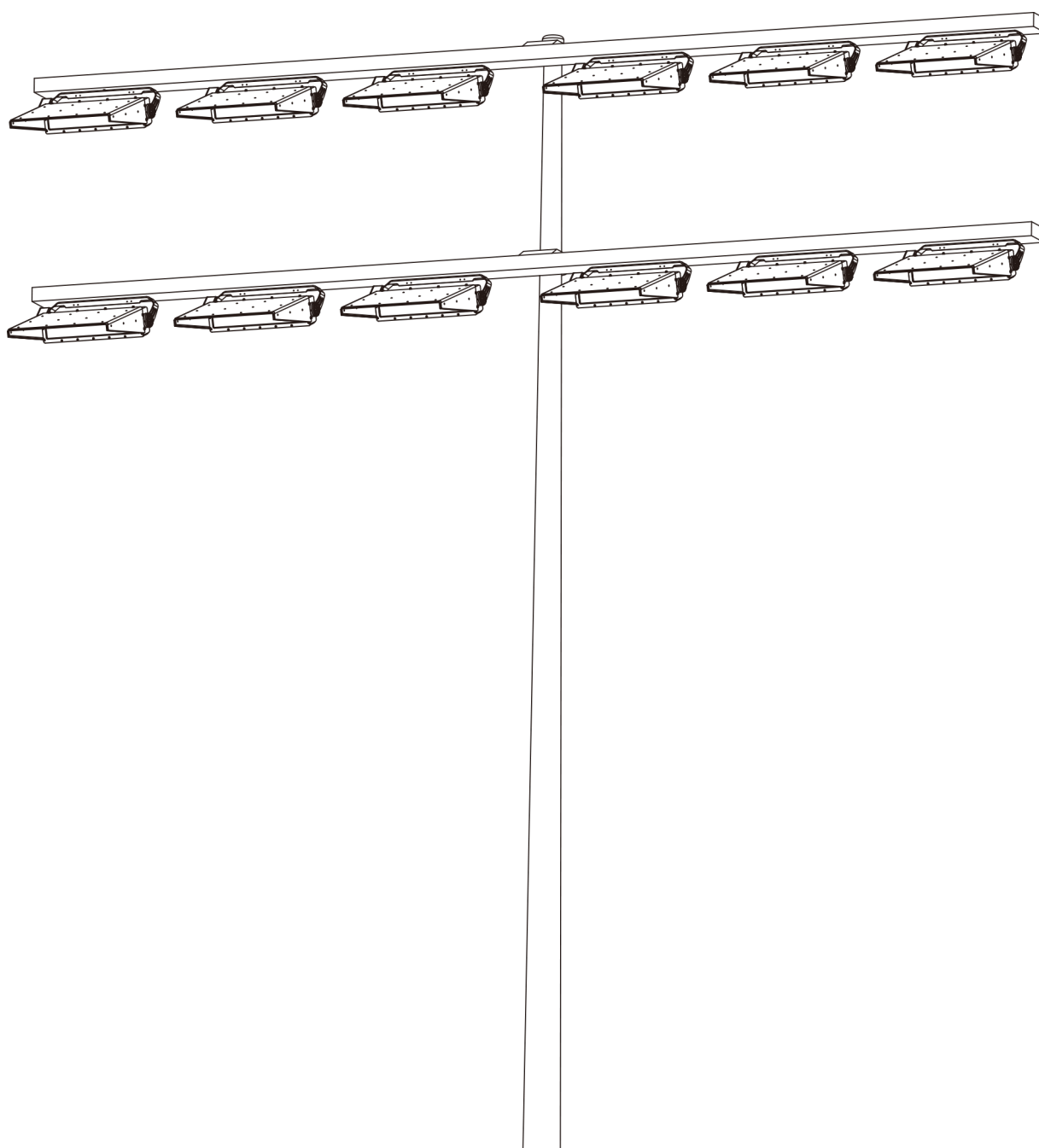
## Matters Needing Attention

1. If installing on a single level, when adjusting the direction of the luminaires according to the light distribution simulation requirements, please pay attention to whether there is any mutual light blocking between the luminaires.
2. If installing on multiple levels, such as double or multiple layers, according to the light distribution simulation requirements, please pay attention to whether there is any light blocking between the upper and lower luminaires.



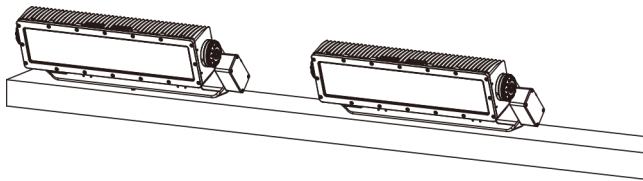
## Matters Needing Attention

1. If installing on a single level, when adjusting the direction of the luminaires according to the light distribution simulation requirements, please pay attention to whether there is any mutual light blocking between the luminaires.
2. If installing on multiple levels, such as double or multiple layers, according to the light distribution simulation requirements, please pay attention to whether there is any light blocking between the upper and lower luminaires.

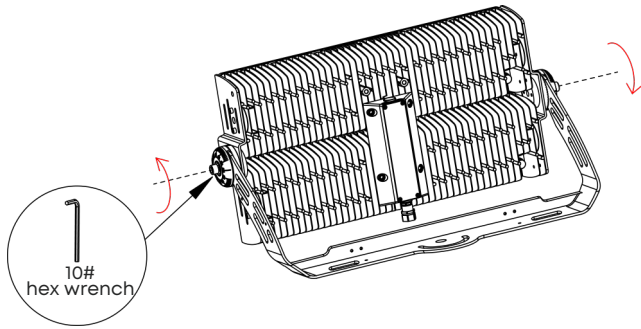


# Installation Procedure

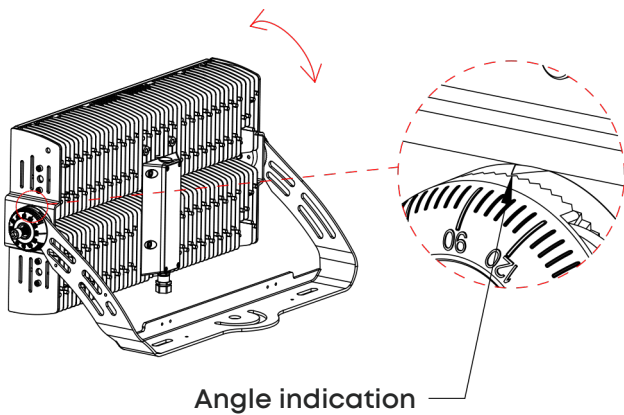
## Mounted on the rod arm



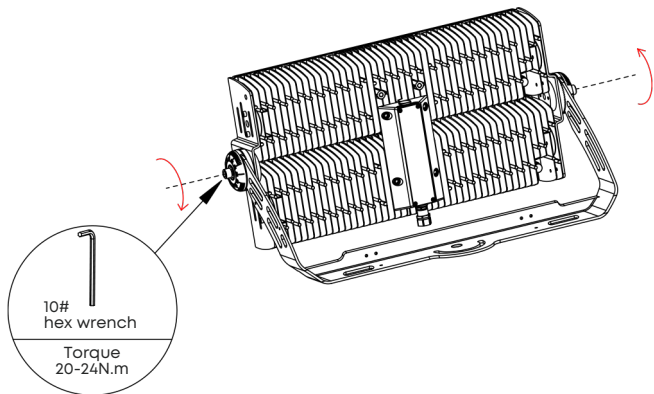
1. Please partially unscrew the two screws and avoid completely removing them



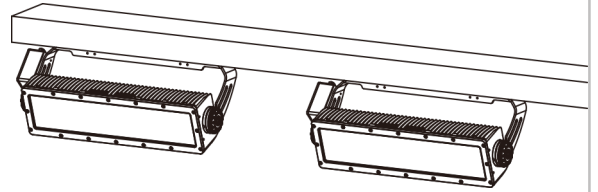
2. Rotate the support and adjust the Angle according to the simulation requirements.



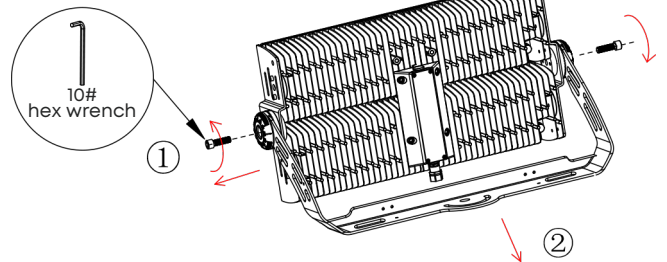
3. Tighten screws (torque 20-24N.m)



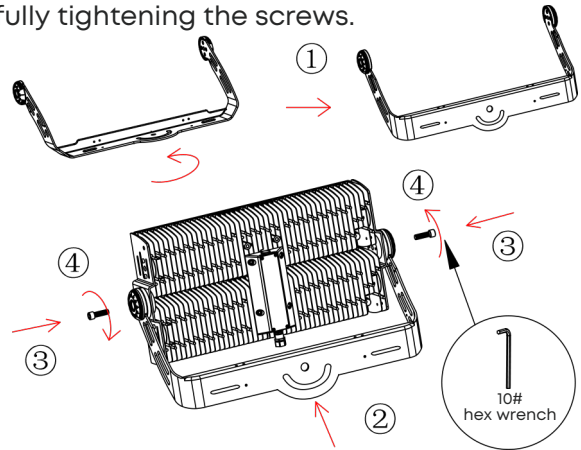
## Mounted under the rod arm



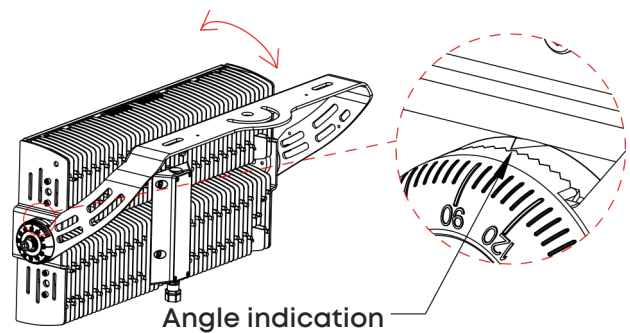
1. Remove the bracket by unscrewing the two screws.



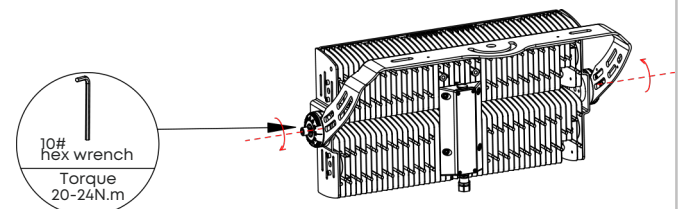
2. Flip the bracket over and install it without fully tightening the screws.



3. Rotate the support and adjust the Angle according to the simulation requirements.

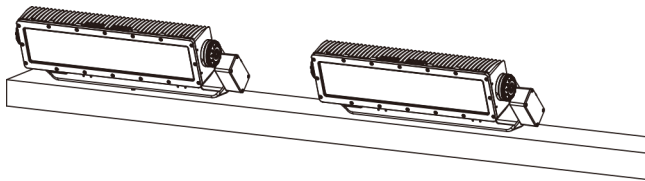


4. Tighten screws (torque 20-24N.m)

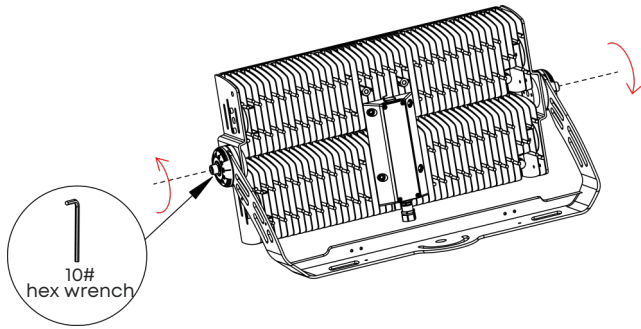


# Installation Procedure (PG60 light distribution)

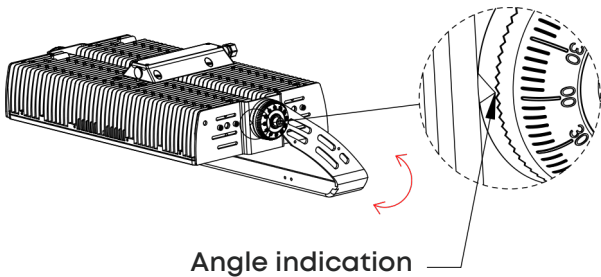
## Mounted on the rod arm



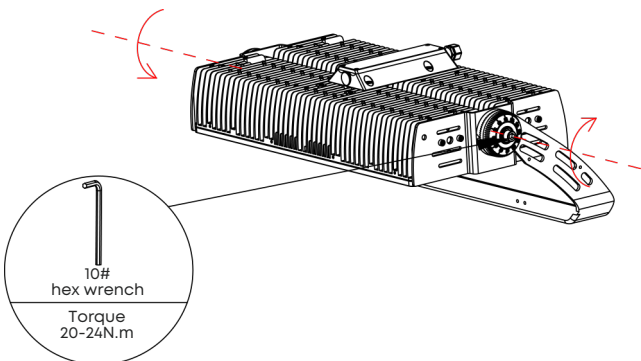
1. Please partially unscrew the two screws and avoid completely removing them



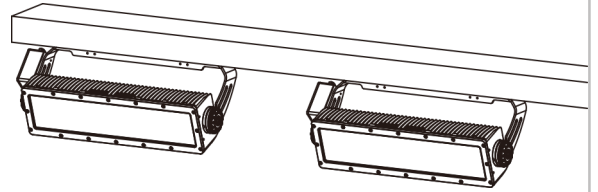
2. Adjust the angle of the support by rotating it based on the simulation requirements. It is advisable to keep the PG60 light distribution angle within a maximum range of plus or minus 15 degrees.



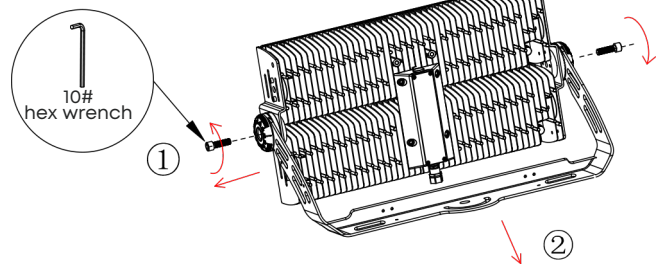
3. Tighten screws (torque 20-24N.m)



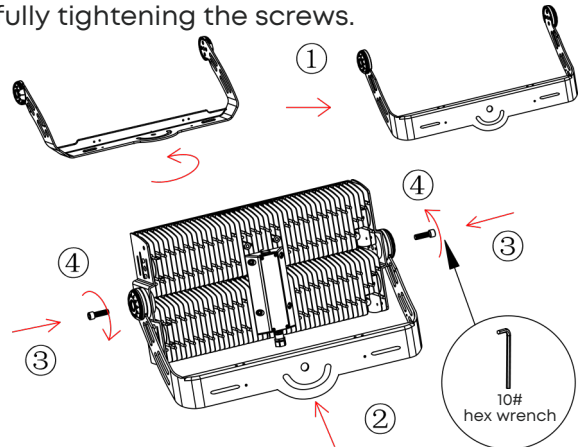
## Mounted under the rod arm



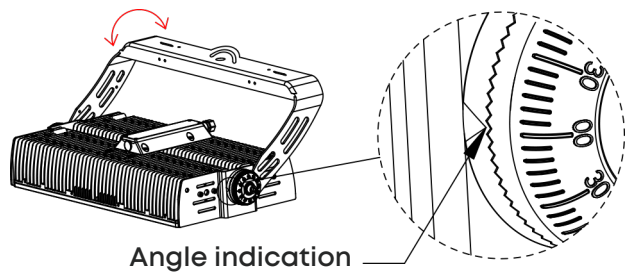
1. Remove the bracket by unscrewing the two screws.



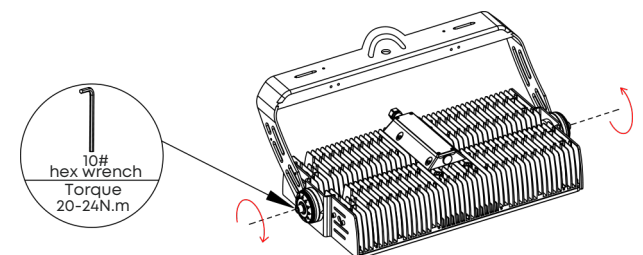
2. Flip the bracket over and install it without fully tightening the screws.



3. Adjust the angle of the support by rotating it based on the simulation requirements. It is advisable to keep the PG60 light distribution angle within a maximum range of plus or minus 15 degrees.



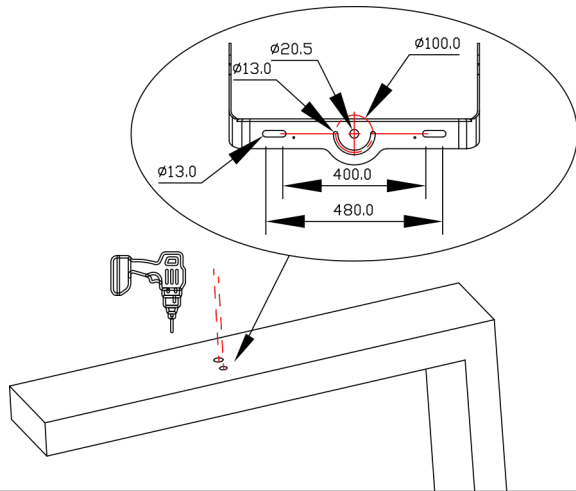
4. Tighten screws (torque 20-24N.m)



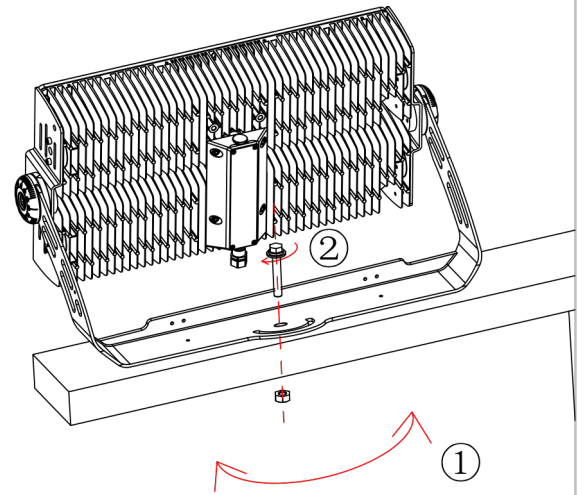


## Fixed Lamp

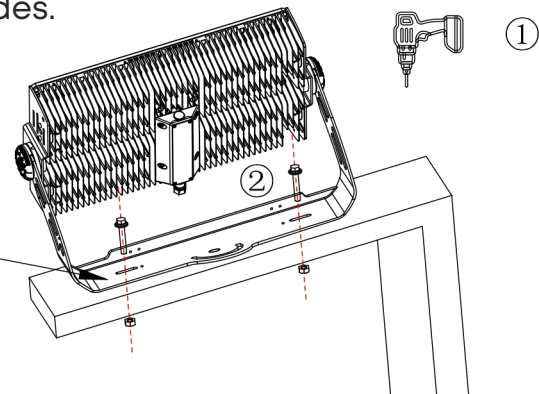
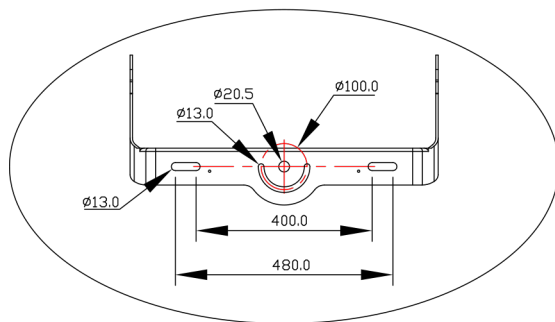
1. If horizontal angle adjustment is needed, drill holes on the lamp post based on the bracket hole position.



2. Adjust to the appropriate angle based on computer simulation and secure it with screws.






3. If no horizontal angle adjustment is needed, it is recommended to secure the bracket using the holes on both sides.

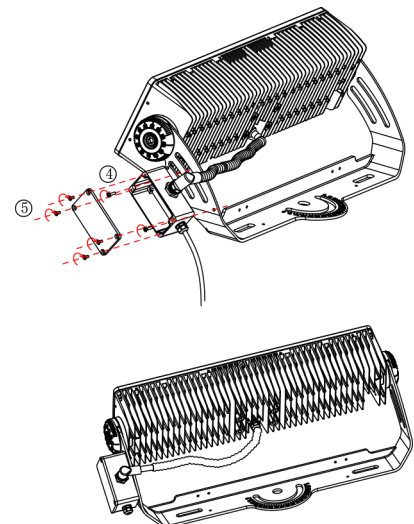
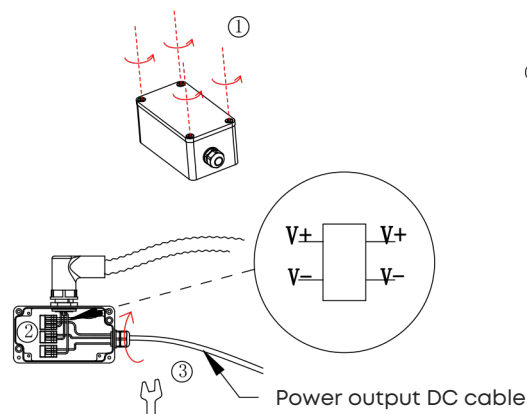


## Wiring (Without driver box)

1. Remove the junction box cover by unscrewing four screws.
2. Connect the power output cable to the input cable on the indicator board (V+ and V-).
3. Securely tighten the waterproof connector, which can accommodate a wire with a maximum outer diameter of 10mm.
4. Mount the junction box onto the lamp bracket.
5. Securely fasten the terminal box cover using screws.

### Tools:

-  Cross Screwdriver
-  wrench
-  M16 waterproof connector



1. Remove the four screws to open the terminal box cover;
2. Connect the DC cable of the power output terminal to the input cable of the indicator board (V+, V- connection).
3. Tighten the waterproof connector (The waterproof connector can make a maximum  $\varnothing 10\text{mm}$  outer diameter wire).
4. Close the terminal box cover and lock the terminal box cover with screws.

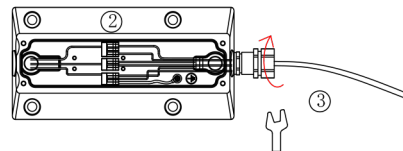
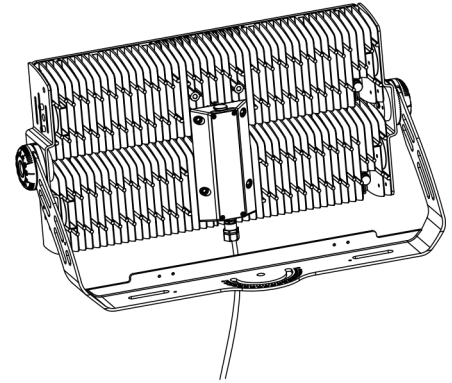
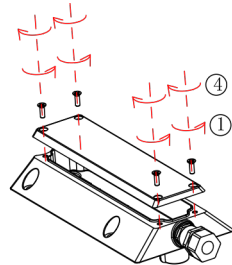
**Tools:**



Cross Screwdriver



wrench  
M16 waterproof connector



1. Remove the four screws to open the terminal box cover;
2. Connect the DC cable of the power output terminal to the input cable of the indicator board (V+, V- connection).
3. Tighten the waterproof connector (The waterproof connector can make a maximum  $\varnothing 10\text{mm}$  outer diameter wire).
4. Close the terminal box cover and lock the terminal box cover with screws.

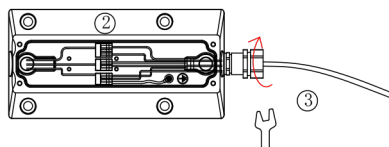
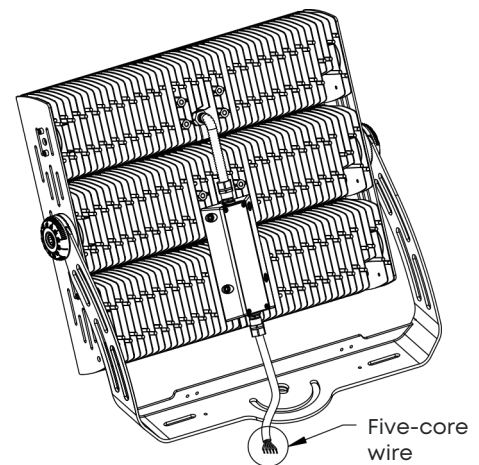
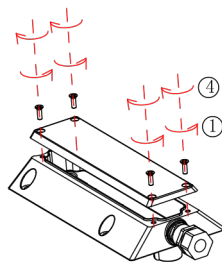
**Tools:**



Cross Screwdriver






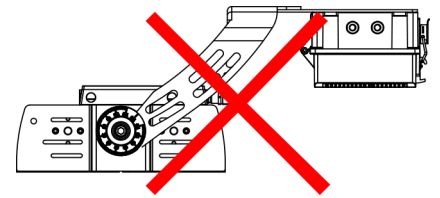
wrench  
M16 waterproof connector



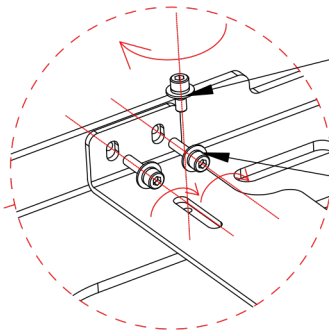
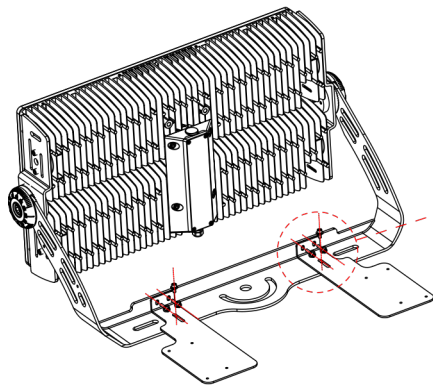
# Install the Driver box

## 1. Mounting plate.

-  M5X30 Hexagon socket assembly screws \*4  
(Install integrated power supply type fixing plate)
-  M5X15 Hexagon Combination Screw \*4
-  M5X10 Hexagon Combination Screw \*2

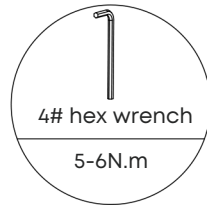


An integrated power supply cannot be installed under the rod arm

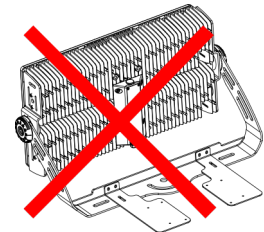


M5X10 Hexagon Combination Screw

M5X20 Hexagon Combination Screw



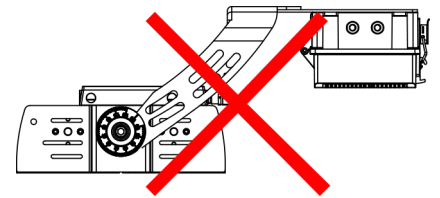
4# hex wrench  
5-6N.m



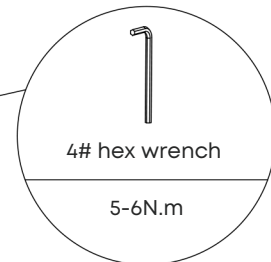
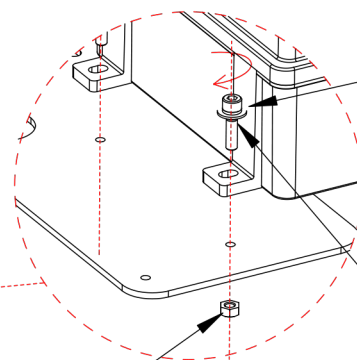
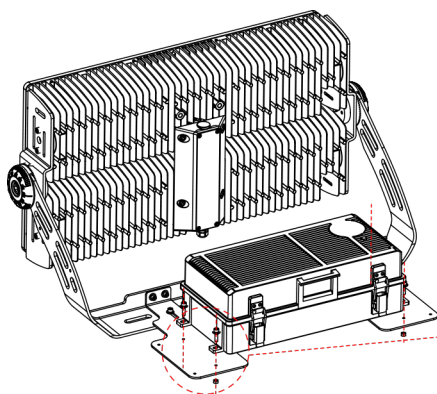
The fixing plate is incorrectly installed

## 2. Secure the driver box

Note: If there is a hole offset problem in the installation of the power box, The fixing plate position needs to be fine-tuned



An integrated power supply cannot be installed under the rod arm



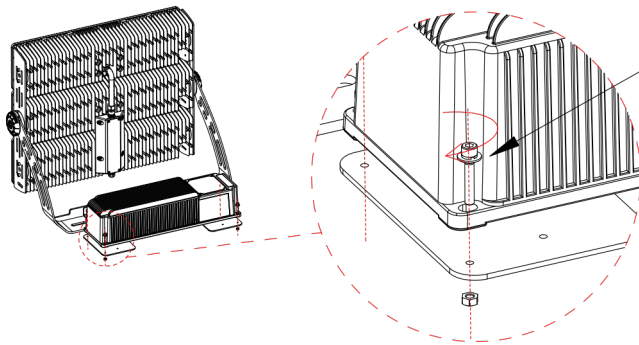
4# hex wrench  
5-6N.m

M5X20 Hexagon Combination Screw

Hexagon stop nut

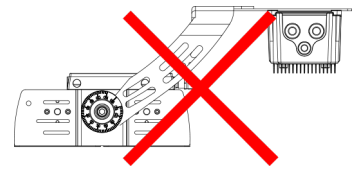
## Installing driver (Integrated driver)

Tighten the screws to secure the driver



4# hex wrench

5-6N.m

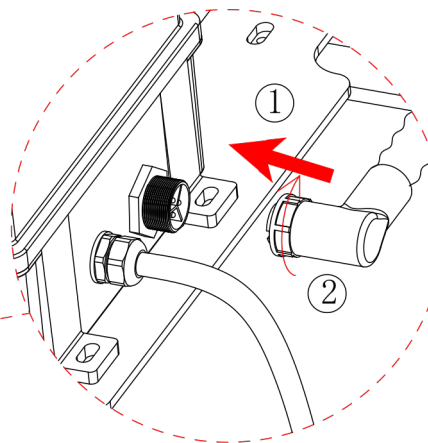
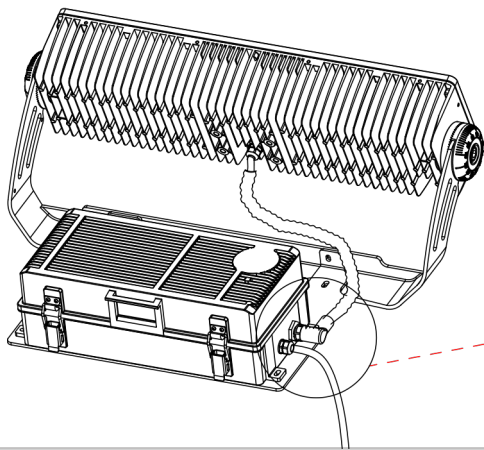


An integrated power supply cannot be installed under the rod arm

Note: If there is a hole offset problem in the installation of the power box, The fixing plate position needs to be fine-tuned

## Connect cables to the DC end of the driver box

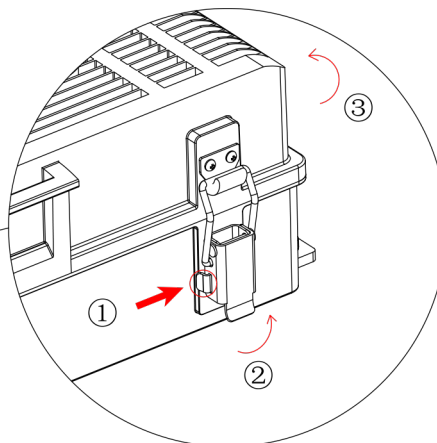
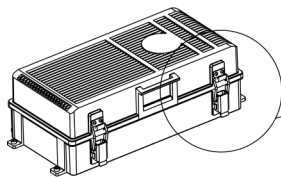
3. Connect the power output line (universal for one and two modules)



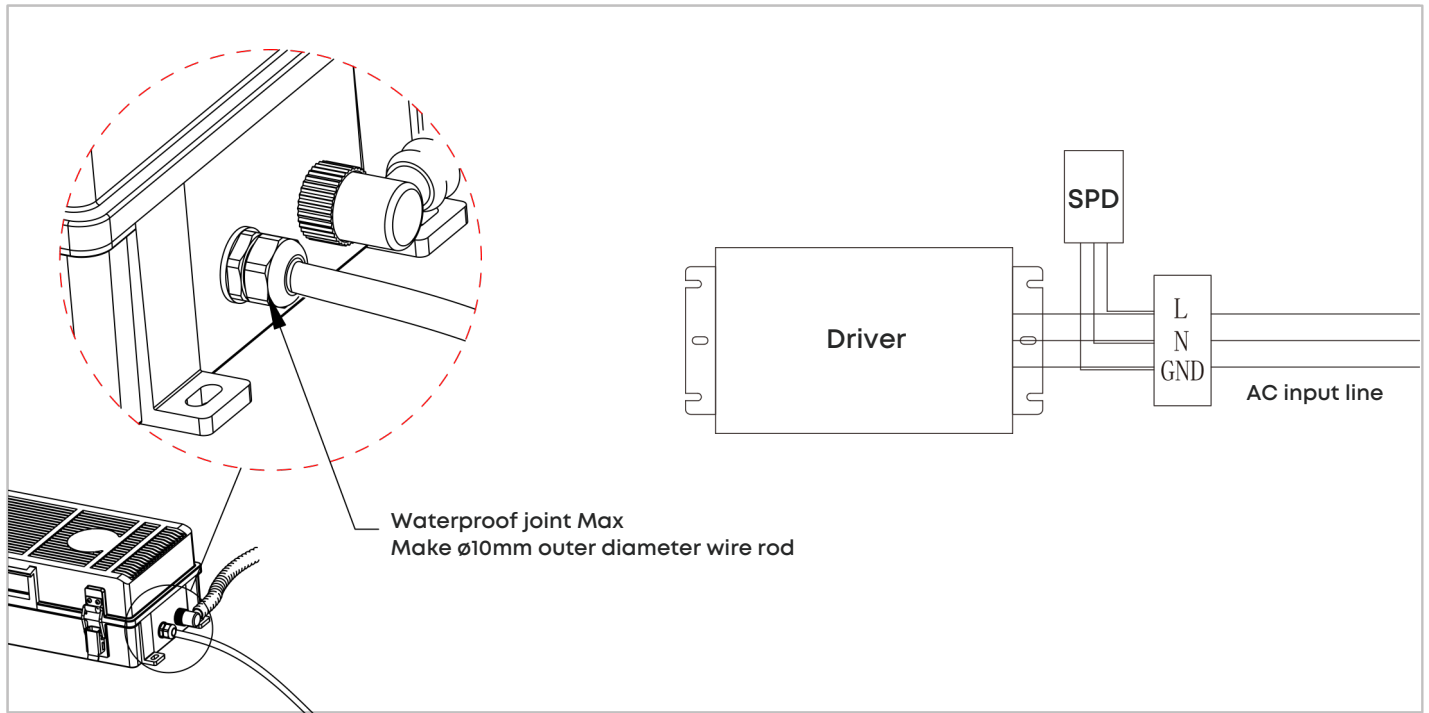
1. Plug interfaces  
2. Tighten the nut

## Open the driver box

1. Press the metal hook;
2. Remove the metal sheet;
3. Open the Driver box cover



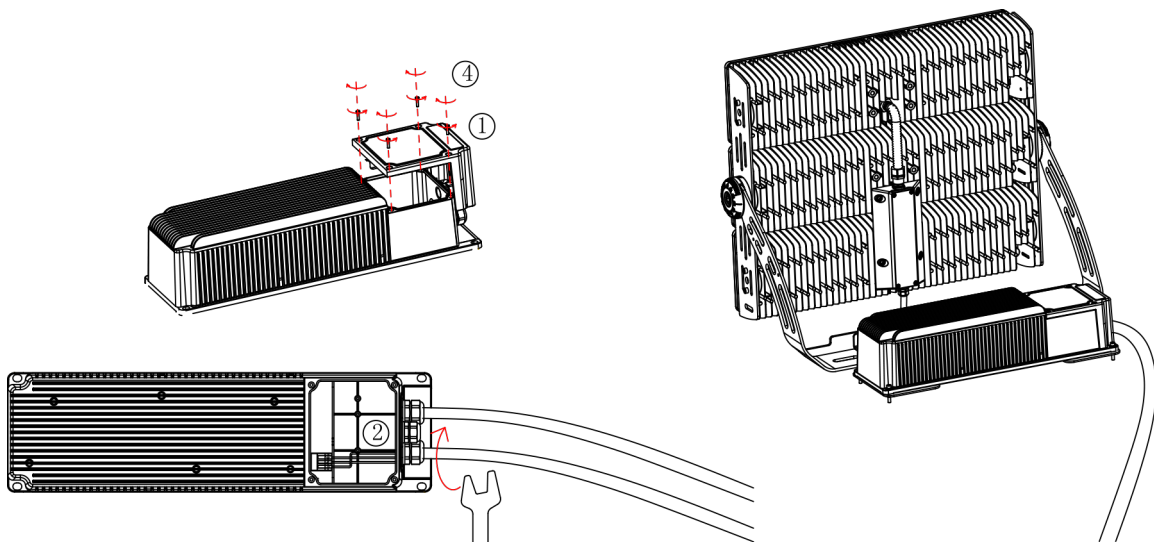
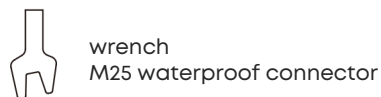
## AC input wiring diagram



## AC input cable connection (integrated driver)

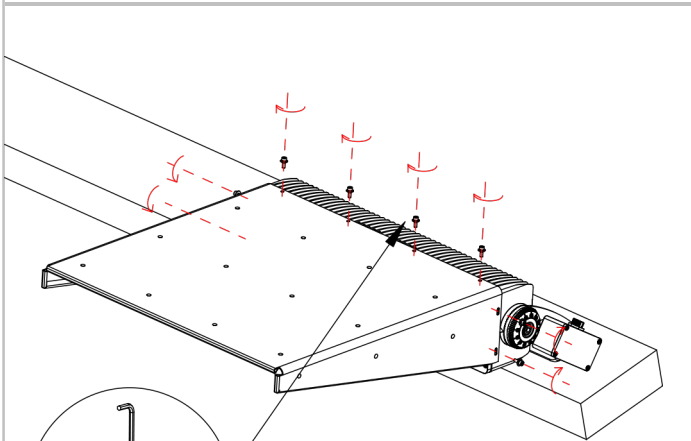
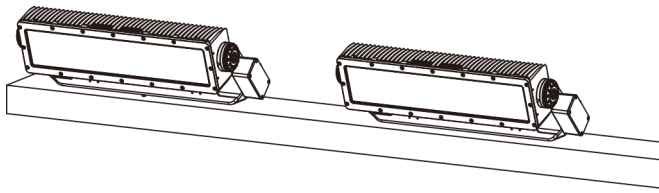
1. Loosen the four screws and open the power cover.
2. Connect the AC cable to the power input terminal (connect the L, N, and GN terminals).
3. Tighten the waterproof connector (The waterproof connector can make a maximum  $\varnothing 13\text{mm}$  outer diameter wire).
4. Tighten the screws to secure the power cover.

**Note:** The waterproof connector on the DC end of the power supply can make a maximum  $\varnothing 10\text{mm}$  outer diameter wire.

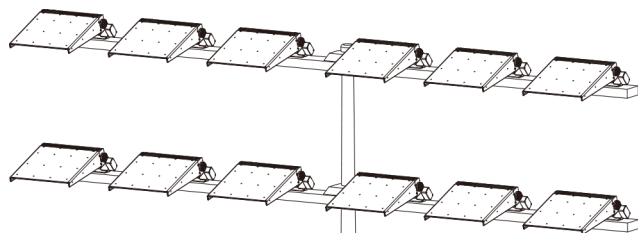


# Install the Visor

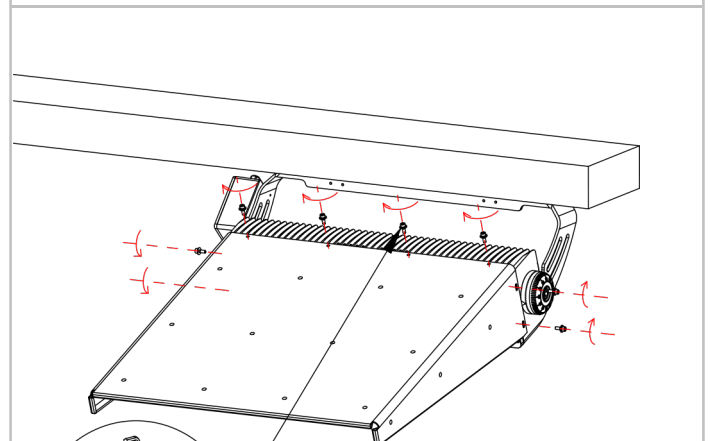
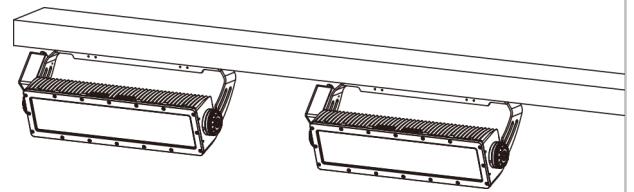
## Mounting under the rod arm



4# hex wrench  
5-6N.m



## Mounting on the rod arm



4# hex wrench  
5-6N.m

