

Installation Guide

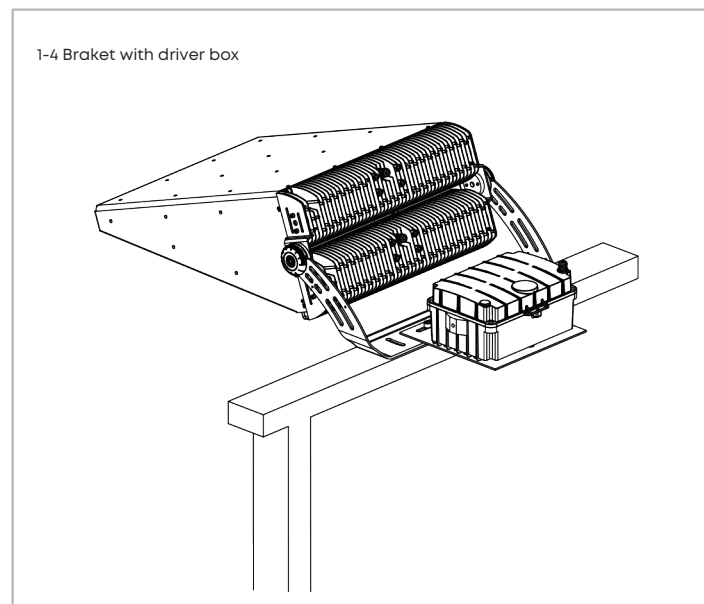
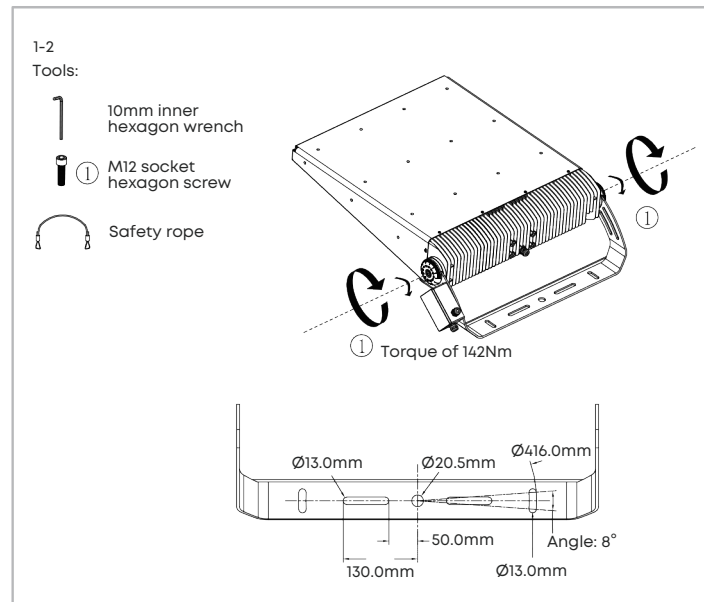
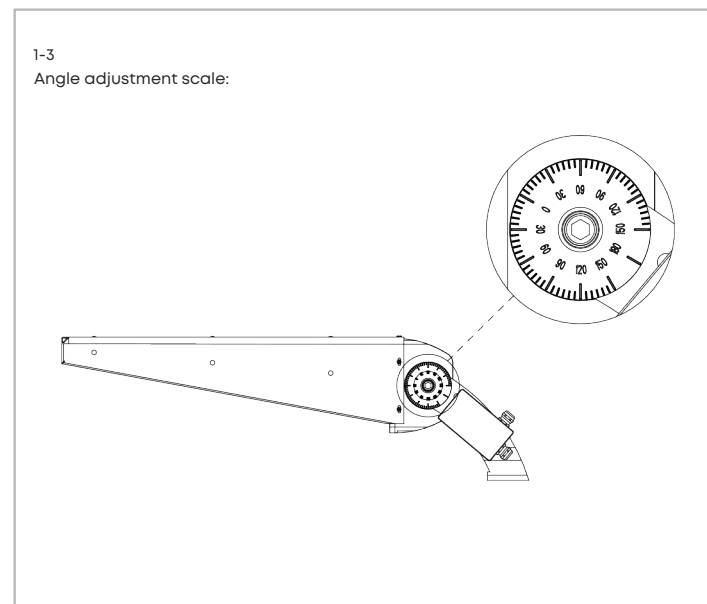
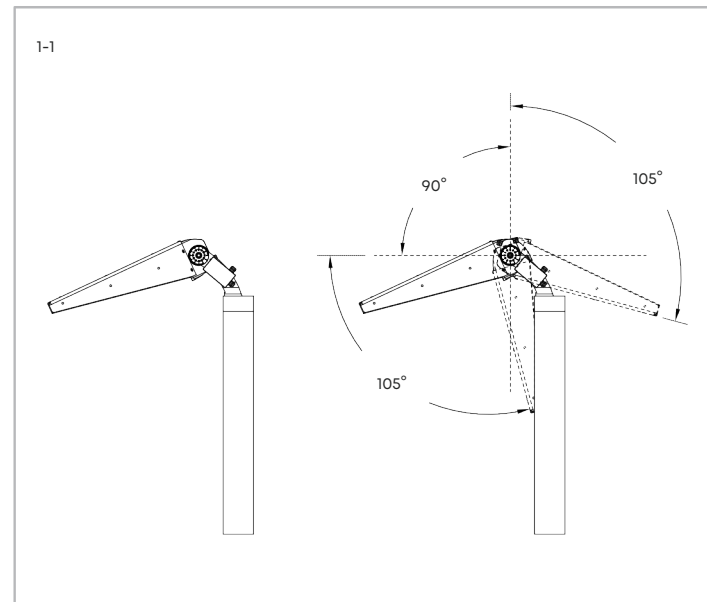
This procedure is designed as an installation aid. Skilled tradespeople that are familiar with general construction and electrical installation techniques should perform the installation. Licensed electricians should provide electrical installation connections. Installations and connections should be done in accordance with all national and local codes and permits. In no way is this document intended to construe warranty or fitness of use of the products described, nor is it intended to provide safety instruction for those installing the product.

⚡ WARNING

Before proceeding with installation or service maintenance of this product.

- Disconnect power to reduce electrical shock risk.
- Review the entire Installation Guide.
- Inspect this properly packaged product for any damage that may have occurred during transit.
- Verify product application complies with manufacturer design recommendations.
- Verify the availability of necessary tools and incidental material.
- Verify applicable code requirements. Field assembly and installation are subject to acceptance by local inspection authority.
- Appropriate safety equipment to be determined by end user, per applicable safety standards and precautions.

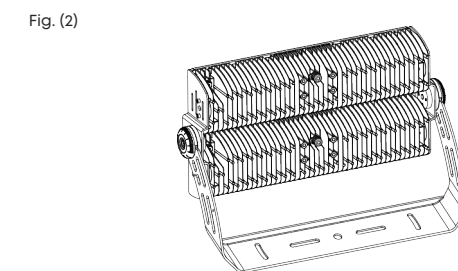
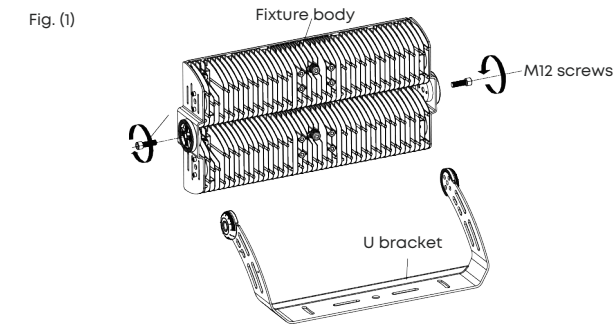
Type-U Bracket Installation (with visor)



The first step:

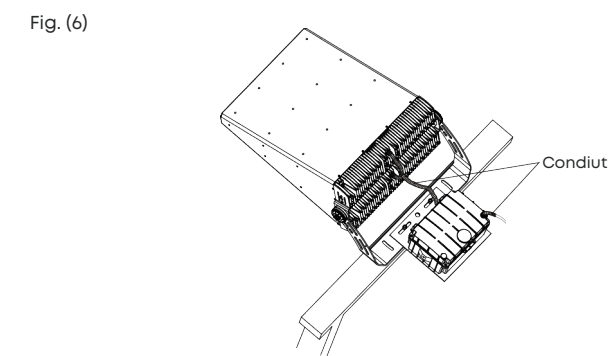
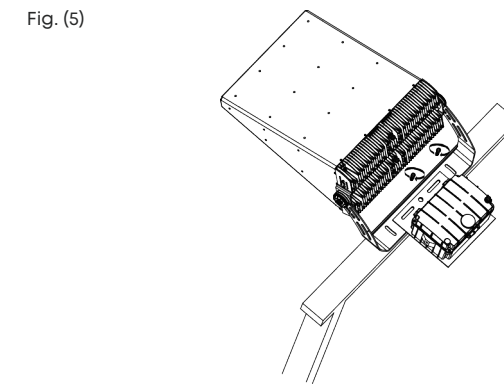
1) Fix the U bracket with the heat sink of the fixture body with M12 screws, and adjust the installation angle of the bracket and fixture body based on the result of simulation as shown in Fig (1).

2) Fix the U bracket on the heat sink of the fixture body with two M12 inner hexagon screws with a special tool and the torque of 142Nm, as shown in Fig (2).



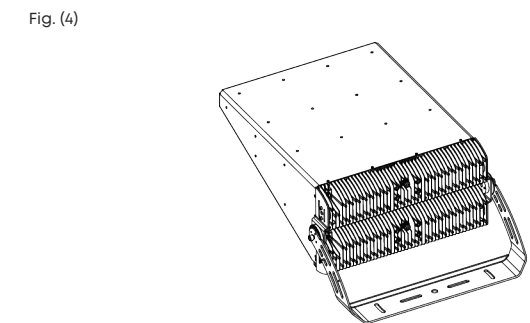
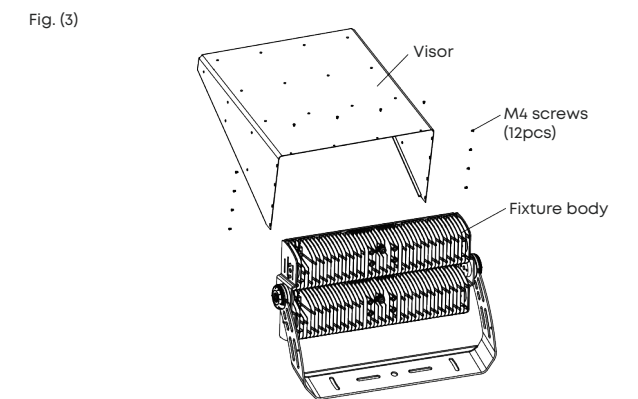
The third step:

1) Use the special tool to fix the U bracket and the plate with driver with two M12 screws with the torque of 142Nm, as shown in Figure (5) and Figure (6).

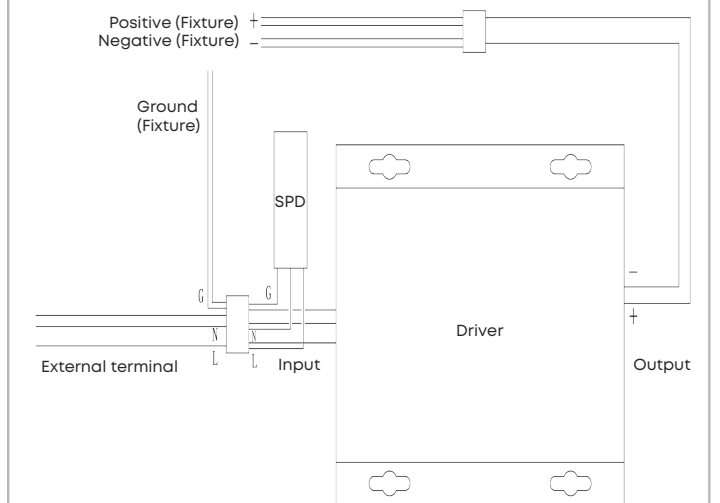


The second step:

Use the special tool with the torque of 41Nm to fix the visor on the fixture body with M12 screws (12pcs) as shown in Fig (3) and (4).



Wiring Diagram



Installation Guide

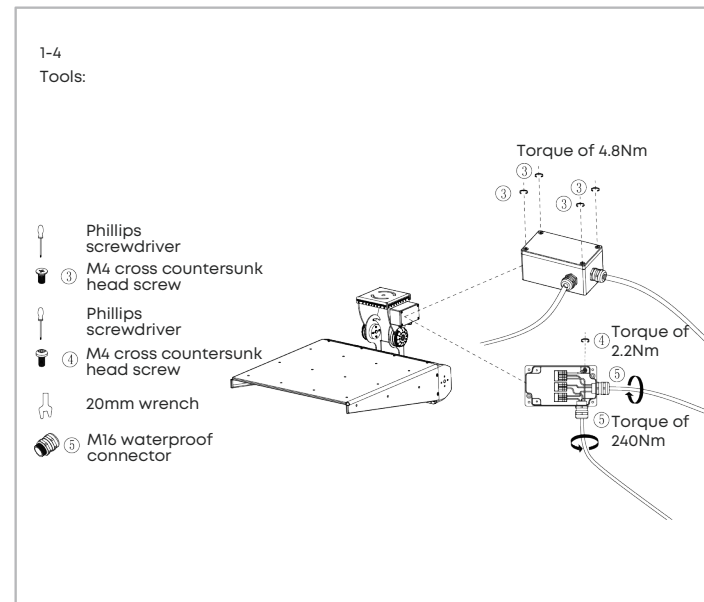
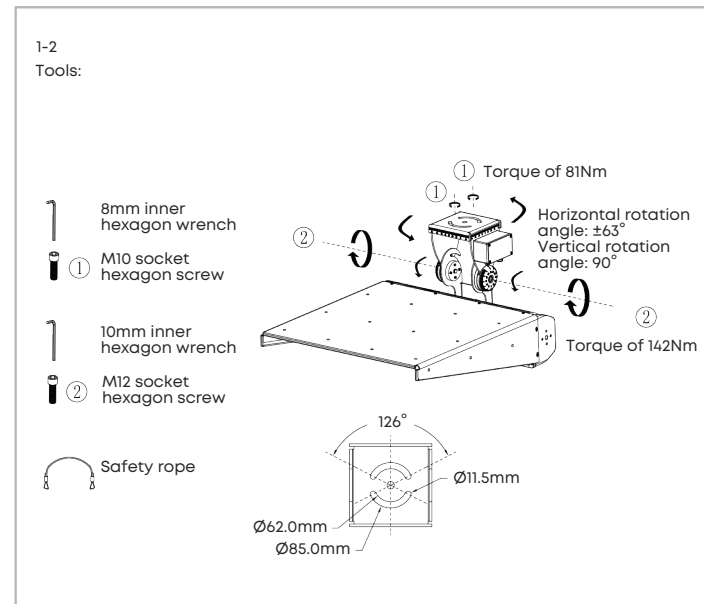
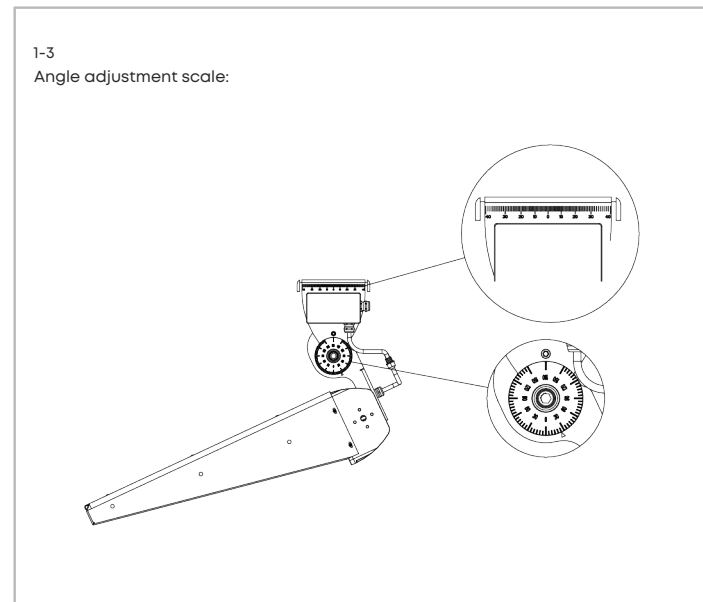
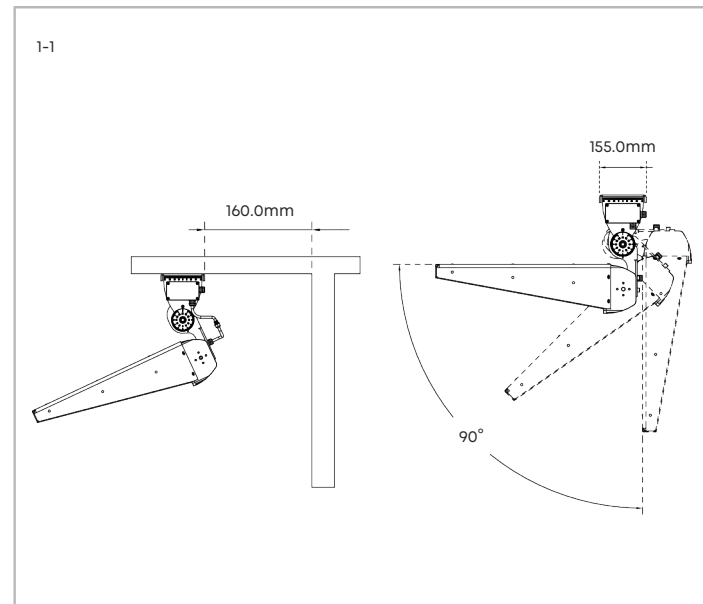
This procedure is designed as an installation aid. Skilled tradespeople that are familiar with general construction and electrical installation techniques should perform the installation. Licensed electricians should provide electrical installation connections. Installations and connections should be done in accordance with all national and local codes and permits. In no way is this document intended to construe warranty or fitness of use of the products described, nor is it intended to provide safety instruction for those installing the product.

⚡ WARNING

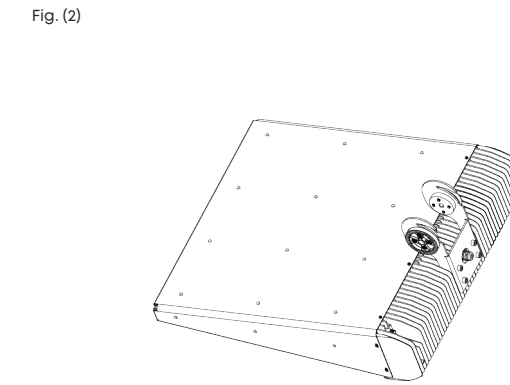
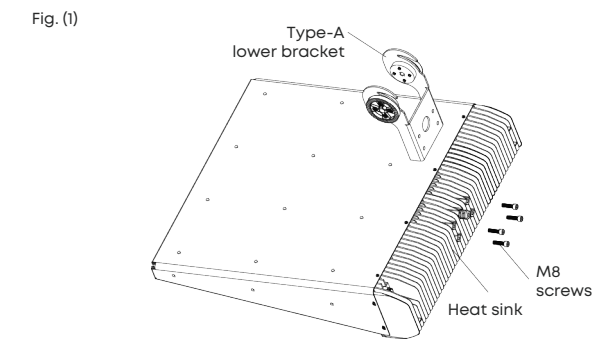
Before proceeding with installation or service maintenance of this product.

- Disconnect power to reduce electrical shock risk.
- Review the entire Installation Guide.
- Inspect this properly packaged product for any damage that may have occurred during transit.
- Verify product application complies with manufacturer design recommendations.
- Verify the availability of necessary tools and incidental material.
- Verify applicable code requirements. Field assembly and installation are subject to acceptance by local inspection authority.
- Appropriate safety equipment to be determined by end user, per applicable safety standards and precautions.

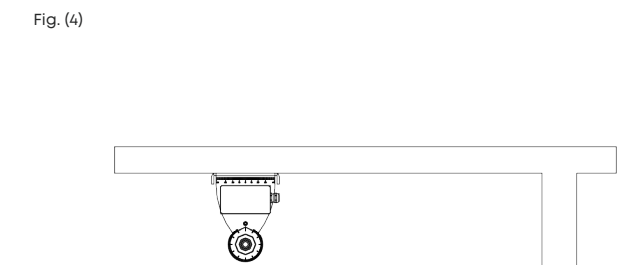
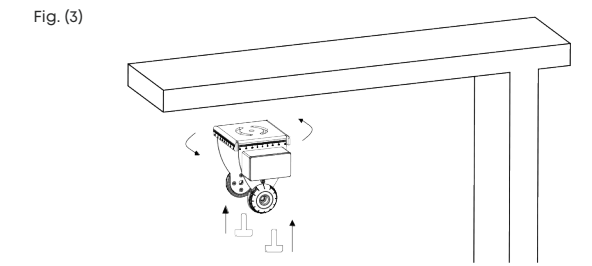
Type-A Bracket Installation (with visor)



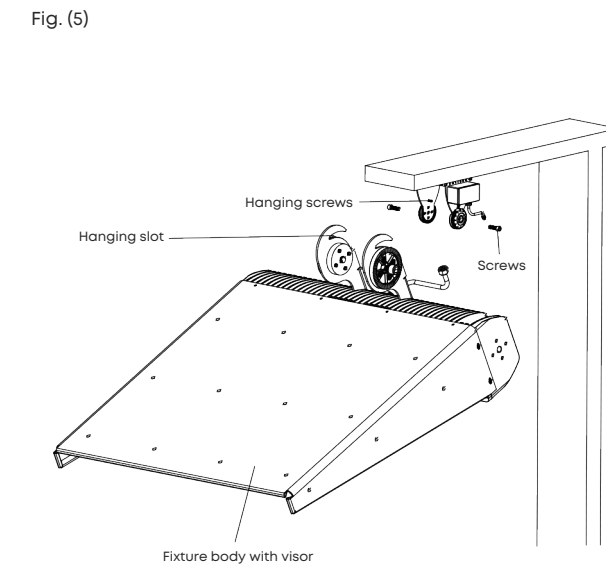
The first step:
Fix the Type-A lower bracket on the heat sink with 4 M8 inner hexagon screws with the special tool and torque of 41Nm, as shown in Figure (1) and Figure (2).



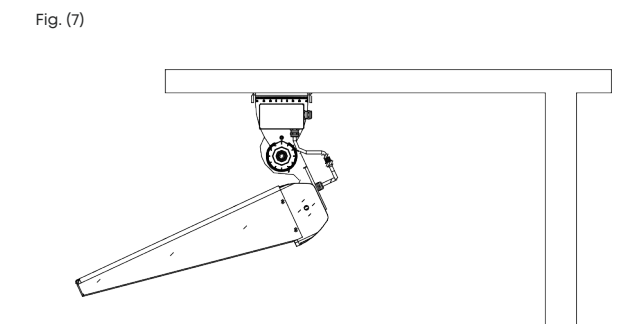
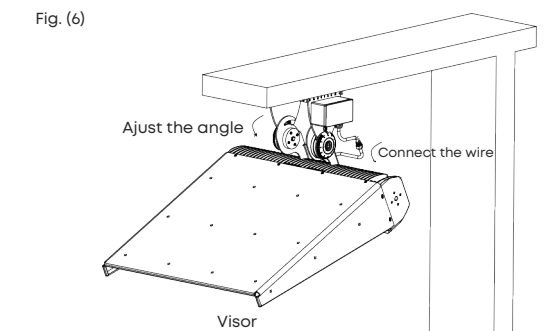
The second step:
1) Adjust the angle of the bracket and lamp pole based on the result of the simulation by computer.
2) Use a special tool to fix the upper bracket on the lamp pole with two M10 screws with a torque of 81Nm, as shown in Figures (3) and Figure (4).



The third step:
Put the hanging slot of the fixture into the mounting screw of the upper bracket, and then fix the lower bracket and the upper bracket with the M12 hex socket screw, and adjust the installation angle of the fixture and the bracket based on the result of simulation, and then use special tool with 142Nm torque to fix the M12 screw tightly, as shown in Figure (5).



The fourth step:
Connect and fix the fixture with the male and female head of the waterproof wire of the junction box, as shown in Figure (6) and Figure (7).



ISF Series Installation Guide

*Due to the constant improvements in product development, individual parameters might change. Please refer to our sales or R&D team for most up-to-date content as specifications are subject to change without notice.

wally@aokledlight.com

+1 626-986-4050 (US)

+86 755 2357 9148 (CN)

©2022 AOK LED LIGHT CO., LTD. All Right Reserved.



Installation Guide

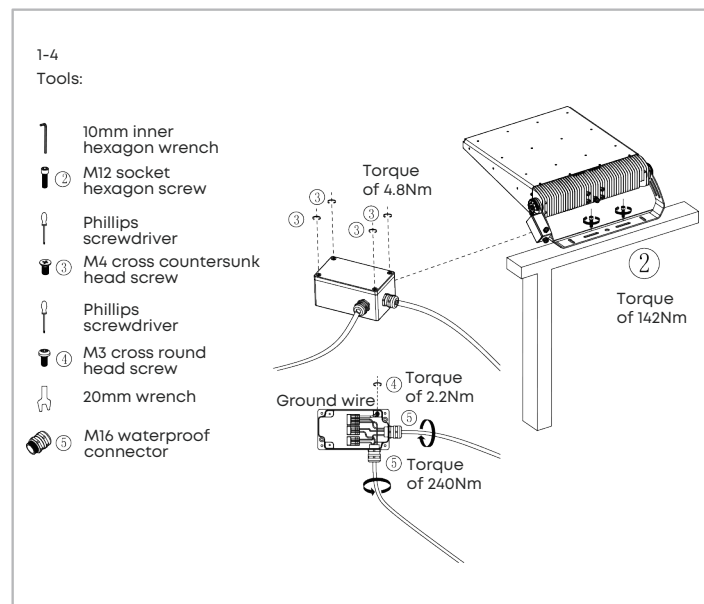
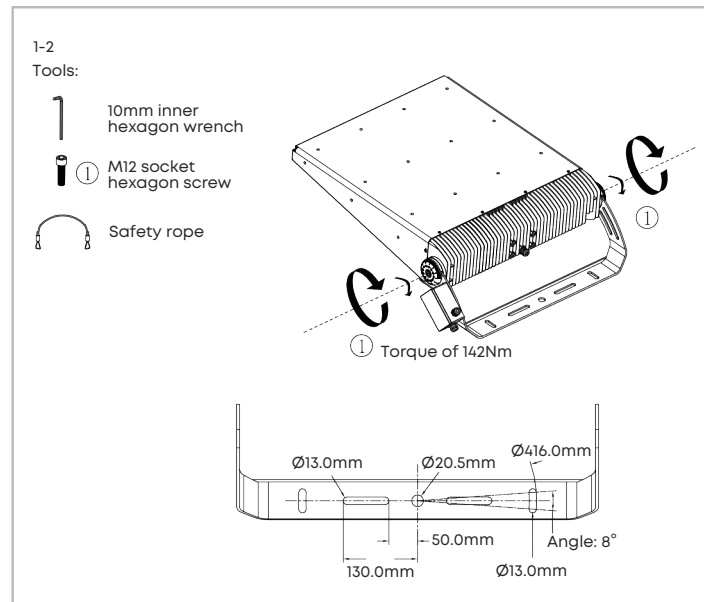
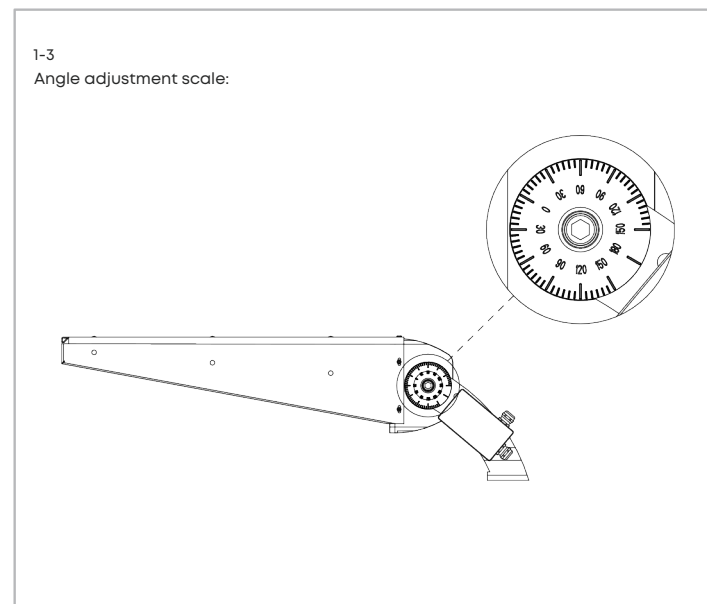
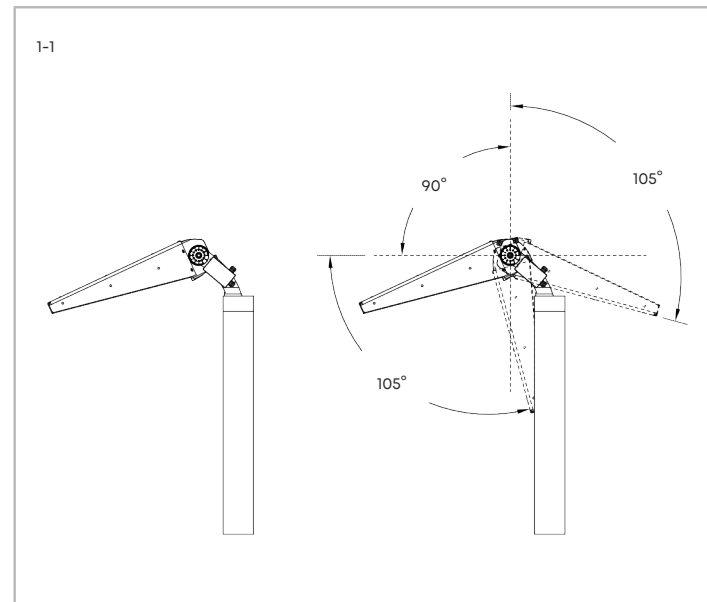
This procedure is designed as an installation aid. Skilled tradespeople that are familiar with general construction and electrical installation techniques should perform the installation. Licensed electricians should provide electrical installation connections. Installations and connections should be done in accordance with all national and local codes and permits. In no way is this document intended to construe warranty or fitness of use of the products described, nor is it intended to provide safety instruction for those installing the product.

⚡ WARNING

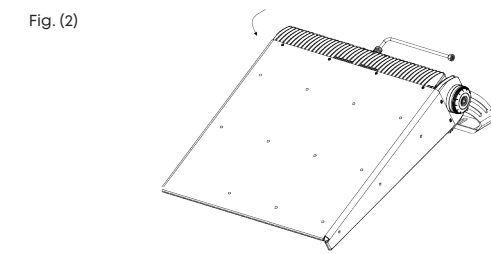
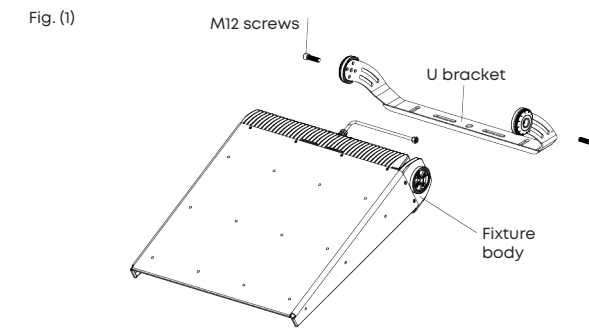
Before proceeding with installation or service maintenance of this product.

- Disconnect power to reduce electrical shock risk.
- Review the entire Installation Guide.
- Inspect this properly packaged product for any damage that may have occurred during transit.
- Verify product application complies with manufacturer design recommendations.
- Verify the availability of necessary tools and incidental material.
- Verify applicable code requirements. Field assembly and installation are subject to acceptance by local inspection authority.
- Appropriate safety equipment to be determined by end user, per applicable safety standards and precautions.

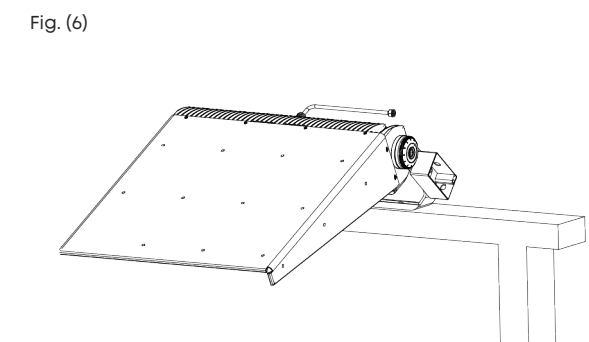
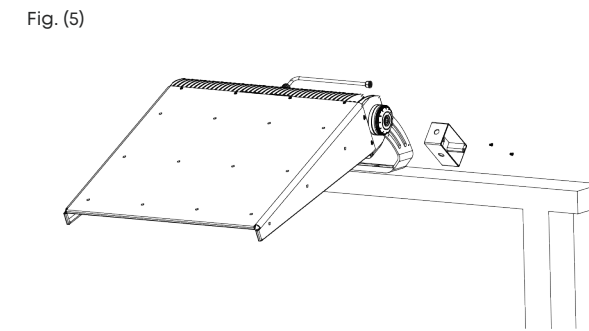
Type-U Bracket Installation (with visor)



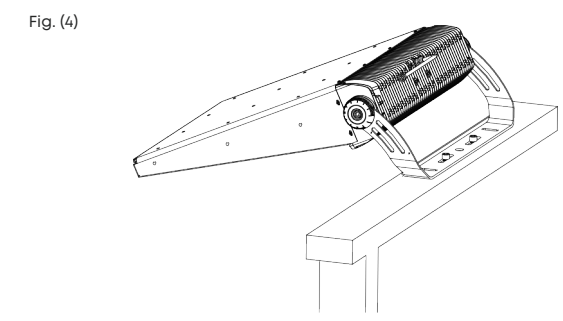
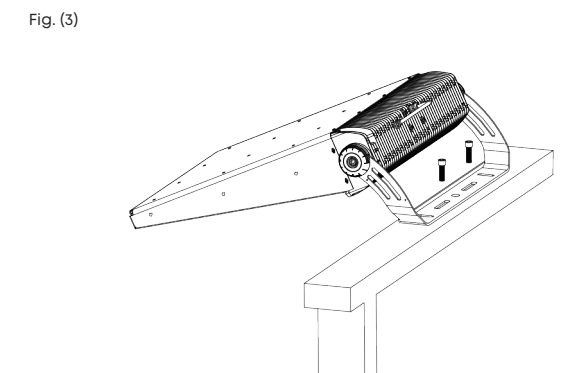
The first step:
 1) Fix the U bracket with the heat sink of the fixture body with M12 screws, and adjust the installation angle of the bracket and fixture body based on the result of simulation as shown in Figure (1).
 2) Fix the U bracket on the heat sink of the fixture body with two M12 inner hexagon screws with a special tool and the torque of 142Nm, as shown in Figure (2).



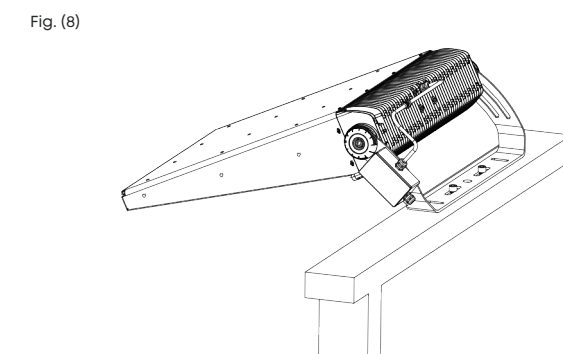
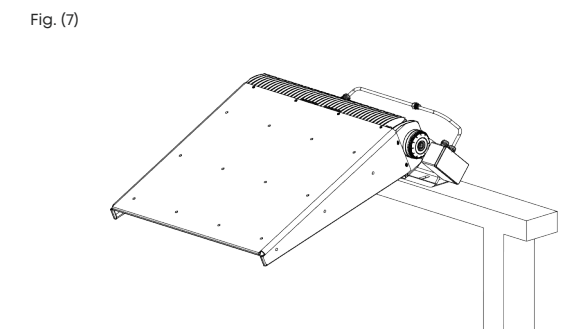
The third step:
 1) Use the special tool to fix the junction box to the U bracket with two cross round head M4 screws with the torque of 4.83Nm, as shown in Figure (5) and Figure (6).



The second step:
 Use the special tool with the torque of 142Nm, fix the U bracket with two M12 screws on the lamp post, as shown in Figures (3) and (4).



The fourth step:
 Connect the wire of fixture body and the power supply box wire in the junction box, and lock the junction box cover with 4 cross round head screws using the special tool with the torque of 4.83Nm, as shown in Figures (7) and (8).



Installation Guide

This procedure is designed as an installation aid. Skilled tradespeople that are familiar with general construction and electrical installation techniques should perform the installation. Licensed electricians should provide electrical installation connections. Installations and connections should be done in accordance with all national and local codes and permits. In no way is this document intended to construe warranty or fitness of use of the products described, nor is it intended to provide safety instruction for those installing the product.

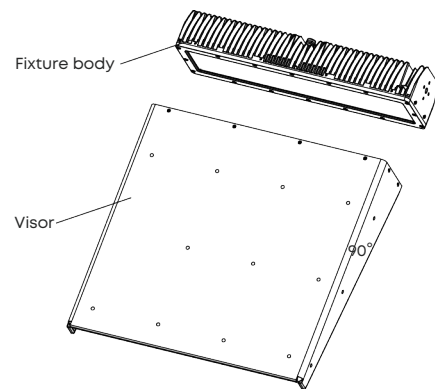
⚡ WARNING

Before proceeding with installation or service maintenance of this product.

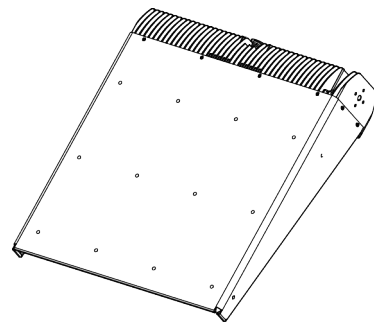
- Disconnect power to reduce electrical shock risk.
- Review the entire Installation Guide.
- Inspect this properly packaged product for any damage that may have occurred during transit.
- Verify product application complies with manufacturer design recommendations.
- Verify the availability of necessary tools and incidental material.
- Verify applicable code requirements. Field assembly and installation are subject to acceptance by local inspection authority.
- Appropriate safety equipment to be determined by end user, per applicable safety standards and precautions.

Type-C Bracket Installation (with visor)

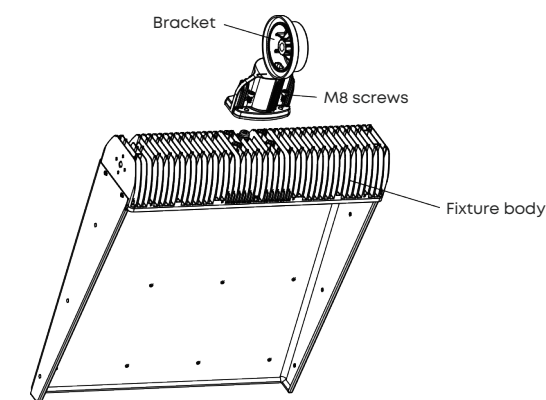
1-1 Install the visor on the radiator of the lamp cap with 8 M4 internal cross round head screws with a special tool and a torque of 10Nm, as shown in Figure 1-1 and Figure 1-2.



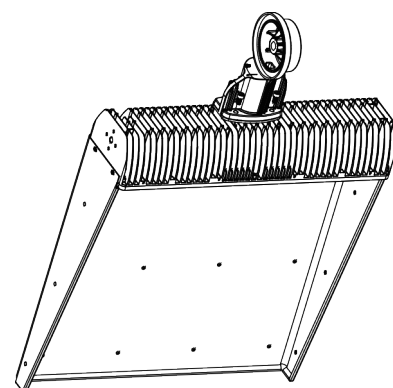
1-2



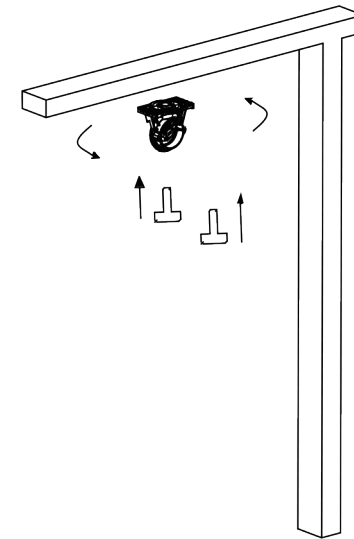
1-3 Using special tools with a torque of 41Nm, install 4 M8 screws (including flat pads and spring pads) on the radiator, as shown in Figure 1-3 and Figure 1-4.



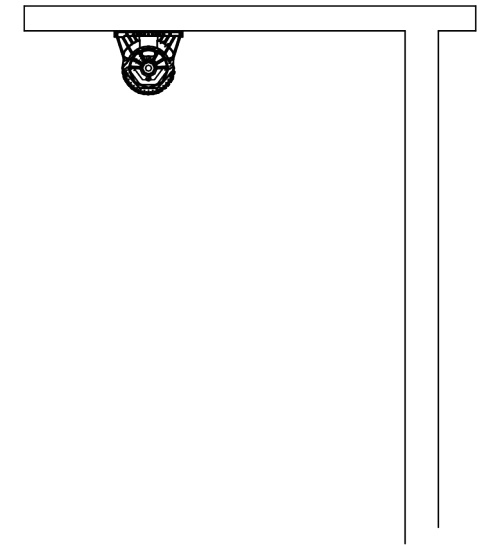
1-4



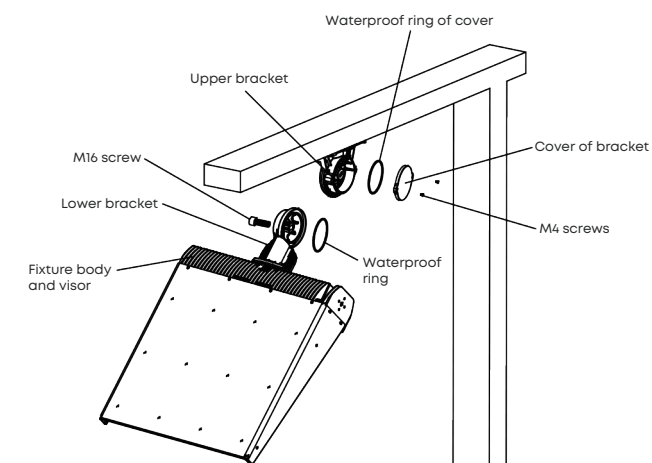
1-5 Based on the simulated installation angle of computer software, adjust the installation angle of the fixing bracket and the lamp pole first, then install the fixing bracket on the lamp pole with 2PCS of M10 inner hexagon screws (including flat pad and spring pad) with a special tool with 81NM torque, as shown in Figure 1-5 and Figure 1-6.



1-6 Upper bracket fixed on the lamp pole.
Note: This bracket should only be mounted below the crossbar, not above the crossbar.



1-7 Adjust the installation angle of the lower bracket according to the simulated result of installation angle from the computer software first, then install the lower bracket, waterproof ring with 1PCS of M16 inner hexagon screws using a special tool with 350NM torque, as shown in Figure 1-7.



1-8 Using special tool to install the waterproof ring of bracket cover on the upper bracket with two M4 screws with a torque of 10Nm, as shown in Figure 1-8.

