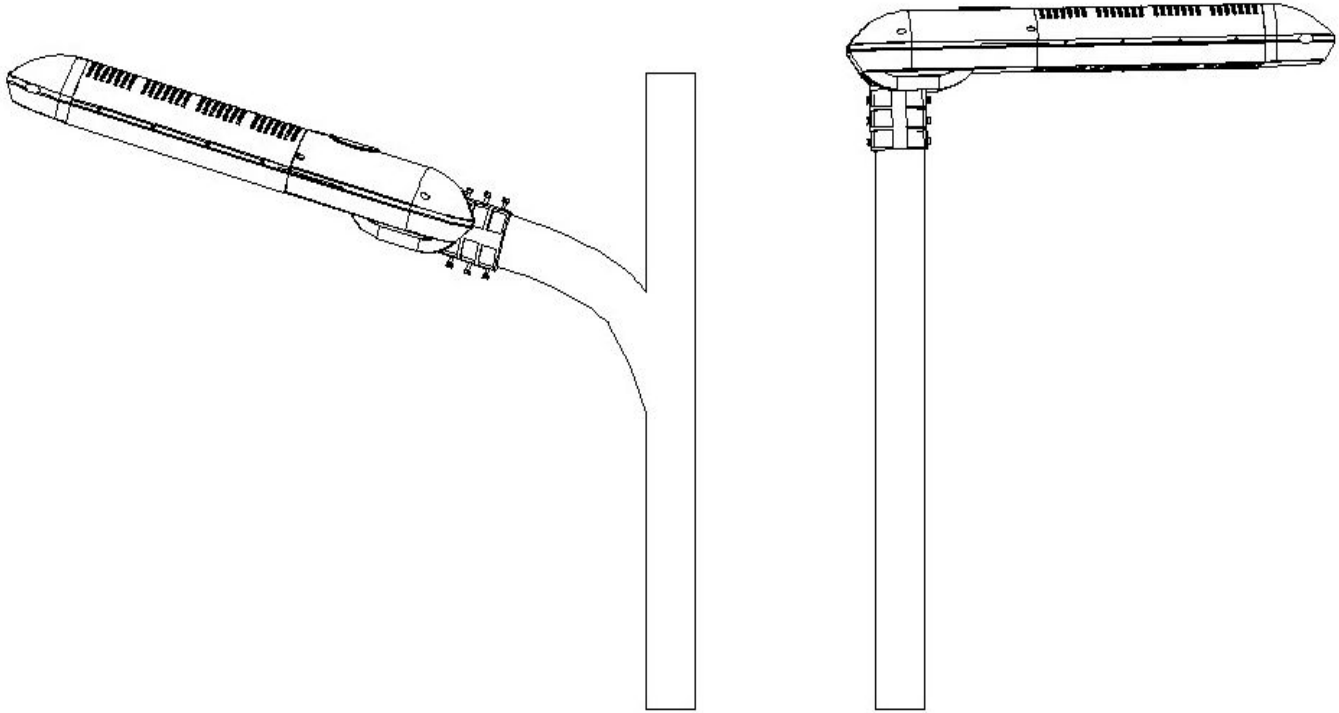


LED Street Light Installation Instruction Manual



Before installation, please read the instruction manual carefully and keep it for future use.



Warning

1. The operating personnel must have the related certifications, knowledge and work experience. Work allocation must be made according to each personnel's position and responsibility.
2. Lens of the street light modules are made of optics PC Material, any careless handling would scratch the lens. So in the process of installation, the street lights must be carefully protected. In the case of street light face faces the ground, it must be protected with soft cloth or other protective materials.
3. Any installation mustn't be proceeded unless all the powers are off.
4. Installation must be carried out strictly according to the operation specifications, including use of relevant tools and equipments. For example: the working range, warning labels, flash lamp, helmet, and work clothes etc.
5. In the process of installtion, please ensure the weather are suitable for outdoor hgh electric power working.



Statement

1. Working truck with lifting platforms, warning mark and flashlight are necessary for street light installation.
2. Installation and maintanance Mustn't be proceeded unless all powers are off.
3. Maintanance must be carried out by professional personnel.

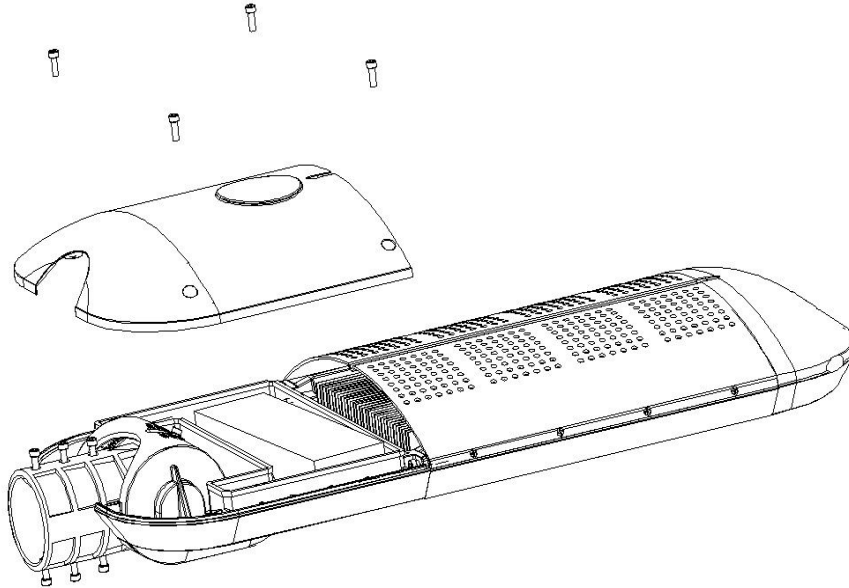
Preparation for LED Street Light Installation

Step 1

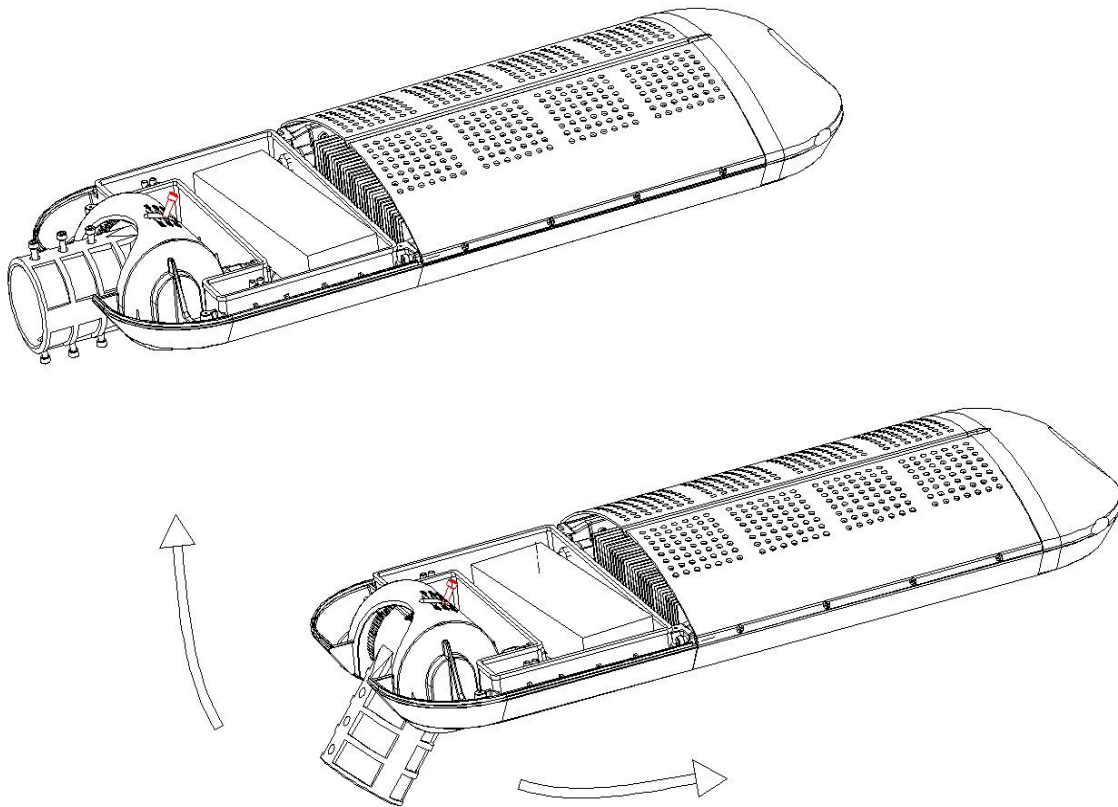
Open the outer packing, remove the packing materials on the lamp body, take out the lamp

Step 2

1. Using allen driver to loose the screws (M5 Inward hexagonal) on the back side of the driver box of the street light, take off the back cover of driver box



2. Using Allen driver to loose the screws of the fastening swivel, adjust the connector swivel to the degree you required.

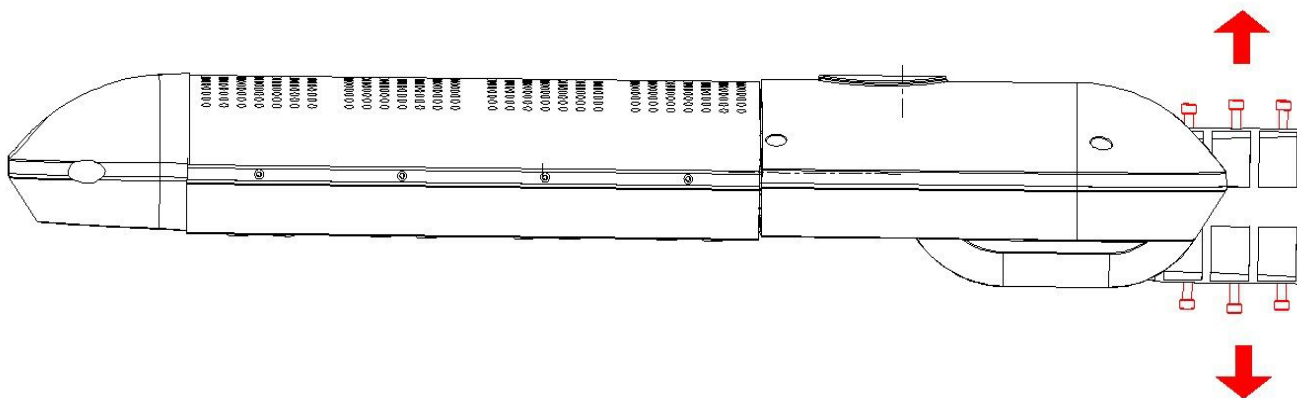


3. Re-fastening the swivel and the back cover of driver box.

Installation of LED Street Lights

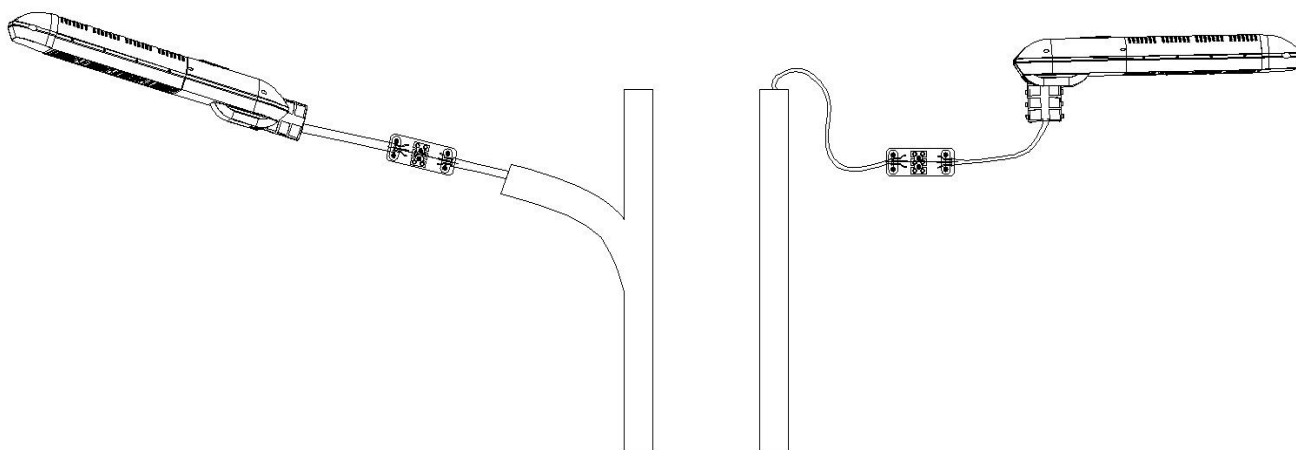
Step 1: Start installation of the street light

Turn the street light to the back side, loose the 6 screws on the swivel



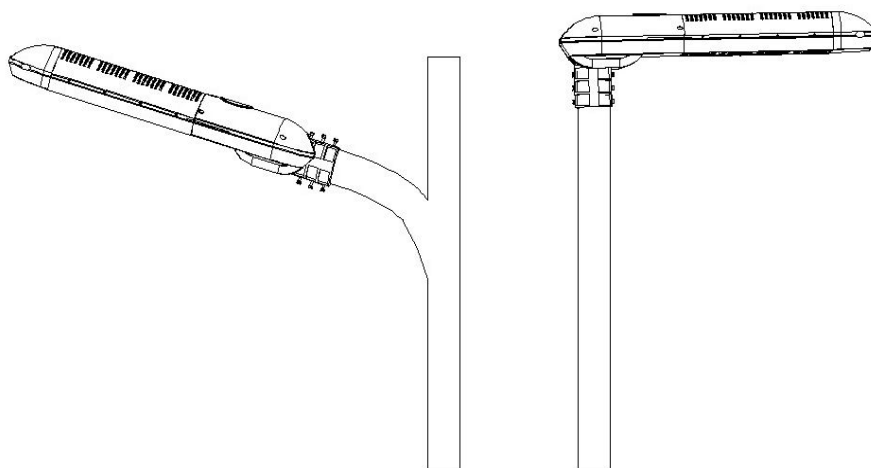
Step 2: Connect the cables

Connect the L,N,GND cables on the lamp to the corresponding L,N,GND cables on the lamp pole.



Step 3: Fixation of the LED Street Lights

Install the street light to the lamp pole, adjust the LED street light to be of horizontal level. Fasten the 6 screws on the swivel.



ELECTRICAL CONNECTIONS - 100-240V/277V AC, 50/60Hz

PHASE TO NEUTRAL WIRING

AC BASED

STEP 1:

Make the following Electrical Connections:

- Connect **INPUT GROUND** conductor to **GREEN WIRE** position of the terminal block or GROUND conductor of LED driver.
- Connect **INPUT VOLTAGE** conductor to **BROWN WIRE** position of the terminal block or LINE conductor of LED driver.
- Connect **INPUT NEUTRAL** conductor to **BLUE WIRE** position of the terminal block or NEUTRAL conductor of LED driver.

STEP 2:

Make sure all excess input wires are pushed into pole, screws are tightened.

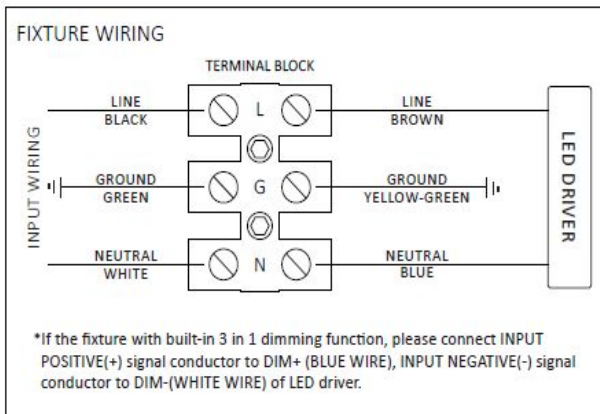
STEP 3:

Close cover by firmly pushing cover towards fixture, making sure that no wires are pinched and Sealing gasket are fully engaged.

STEP 4:

If the fixture without a terminal block, please insulate all electrical connections with wire nuts suitable for at least 90°C

Input cable should be at least H05RN-F 3x1.0mm²(SJTW 18AWG) or outdoor grade cable with rubber sheathed(not supplied). The cable must have a minimum cross sectional area of 1.0mm²(18AWG).



ELECTRICAL CONNECTIONS - 12/24V DC

DC BASED

STEP 1:

Make the following Electrical Connections:

- Connect **INPUT POSITIVE(+)** conductor to **RED WIRE** position of the terminal block or POSITIVE(+) conductor of LED driver.
- Connect **INPUT NEGATIVE(-)** conductor to **BLACK WIRE** position of the terminal block or NEGATIVE(-) conductor of LED driver.

STEP 2:

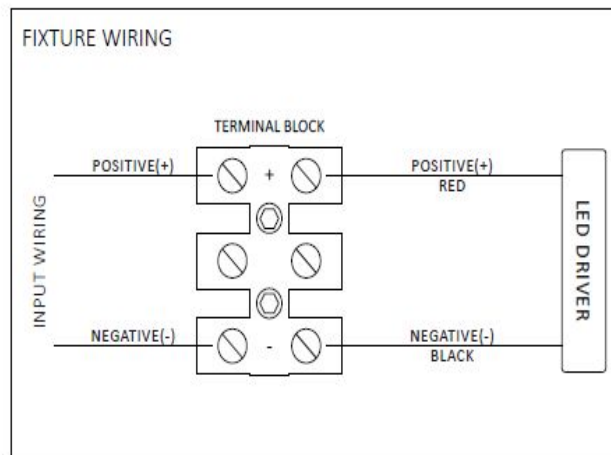
Make sure all excess input wires are pushed into pole, screws are tightened.

STEP 3:

Close cover by firmly pushing cover towards fixture, making sure that no wires are pinched and Sealing gasket are fully engaged.

STEP 4:

If the fixture without a terminal block, please insulate all electrical connections with wire nuts suitable for at least 90°C



This marking indicates that this product should not be disposed with other household wastes throughout the EU. To prevent possible harm to the environment or human health from uncontrolled waste disposal, recycle it responsibly to promote the sustainable reuse of material resources. To return your used device, please use the return and collection systems or contact the retailer where the product was purchased. They can take this product for environmental safe recycling.