



- Rated for 50,000 hours, quality guaranteed .
- Non-polar ultraviolet lamp, strong radiation, large area application.
- Anti-tipping switch/Sensor intelligent control switch/Universal wheel with brake.

**UVC** **-SERIES**  
**MOBILE**  
**ULTRAVIOLET STERILIZER**  
**99.9% BACTERICIDAL RATE**  
**λD 254nm(+185nm)**



**EXPERTS WITH  
PROFESSIONAL SOLUTION**

[WWW.AOKLEDLIGHT.COM](http://WWW.AOKLEDLIGHT.COM)

**Germicidal UV light** is a type of light that's best known for its ability to kill bacteria. It's typically used to disinfect rooms and surfaces. The CDC and FEMA started to endorse the use in hospitals in the early 2000s. Since then, several medical reviews have noted the effectiveness and the use has jumped in the last 13 years.

**SPECIFICATIONS**

- Product: Mobile Ultraviolet Sterilizer(UVC)
- Power: **500W/750W**
- Wavelength of Ultraviolet: **254nm or 254nm+185nm(Ozone Sterilization)**
- Working Option: 10min, 15min, 20min, 30min.
- Input Voltage: 100-277V
- Working Temp.: -30°C~50°C
- Working Humidity: No Limit
- Average Life Time: 50,000 hrs (Avg 10-20mins working)
- Ultraviolet Radiation: 25000uw/cm2 on the surface
- Fixture Dimension: 1306.5\*583\*486.3mm
- UV Lamp: 340\*200\*90mm



**MICROWAVE SENSOR**

Passive Microwave Motion Detector, ensure staff safety and away from harm. If these sensors were to "see" motion, all fixtures will immediately shut down.

- Automatic lifting when sterilization begin;
- Sterilization countdown reminder function;
- Auto turn-off and descent when people nearby;
- Intelligent integrated controller, easy to monitor.



Turn-off

Automatic lifting function

Turn-on

**FEATURES**

- ① The tube is made of quartz glass, which makes the high utilization rate of ultraviolet radiation.
- ② The conductor adopts double insulation and thick Teflon conductor, which works reliably under water and in the environment of acid and alkali, with good insulation performance and corrosion resistance.
- ③ Magnetic ring can be used in a variety of harsh environment, will not easily damage, deterioration, failure.
- ④ All metal parts and screws are made of 304 stainless steel, which can not only resist its own ultraviolet radiation but also work under water or in acid and alkali environment for a long time.
- ⑤ The ballast is made of imported electronic components and a new design, which makes the quality of UV lamp stable and works reliably.



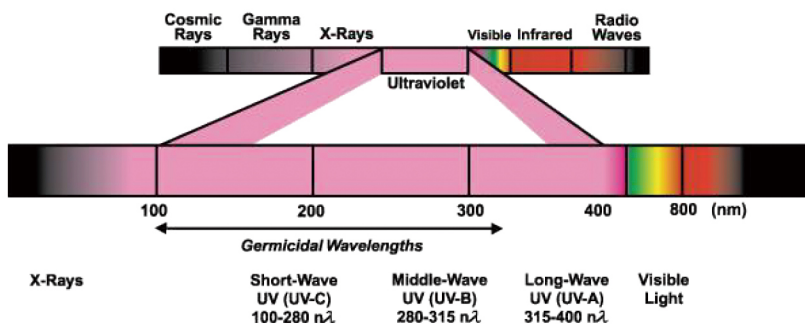
Germicidal irradiation and applications of ULTRAVIOLET LIGHT				
UV Type	NANOMETERS (nm)	SAFE for skin and eyes	Rapid Degradation on materials like plastic and rubber	PRACTICAL USES
VUV Far-UV	100-200	YES	YES	Medical equipment
Far-UVC	207-222	YES	YES	Germicidal, most effective for disinfecting, sensing
<b>UV-C</b>	<b>200-280</b>	<b>NO</b>	<b>YES</b>	<b>Germicidal, most effective for disinfecting, sensing</b>
UV-B	280-315	NO	YES	Curing, tanning, medical applications
UV-A	315-400	NO	NOT TYPICALLY	Curing, printing, lithography, sensing, medical applications

The 254nm ultraviolet sterilizing lamp irradiates the DNA of microorganisms to kill bacteria.

**254nm+185nm Ultraviolet Light (Option)**



- The 185nm ultraviolet sterilization light can change the oxygen (O<sub>2</sub>) in the air into ozone (O<sub>3</sub>). Ozone has a strong oxidation effect and can effectively kill bacteria. The dispersion of ozone can just make up for the shortcoming of dead angle of disinfection because ultraviolet radiation only spreads along a straight line.
- After ozone disinfection is complete, wait 40 minutes before entering to prevent respiratory irritation.



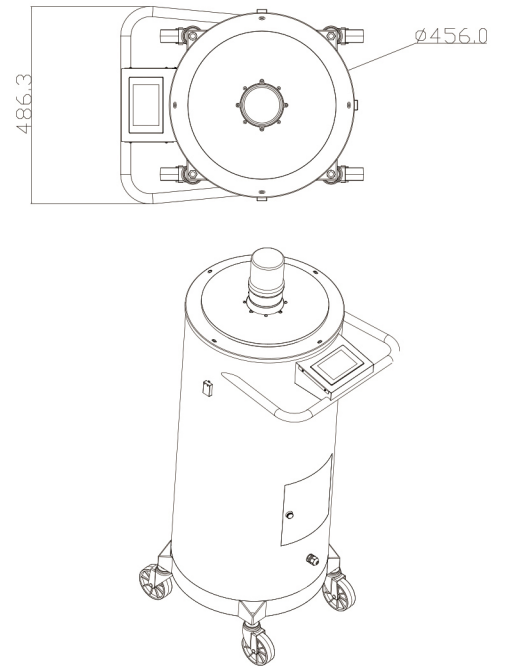
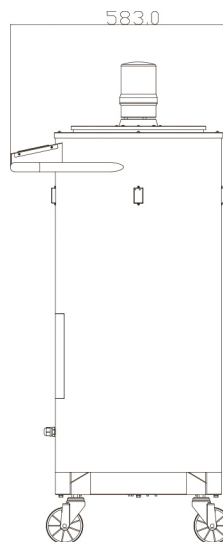
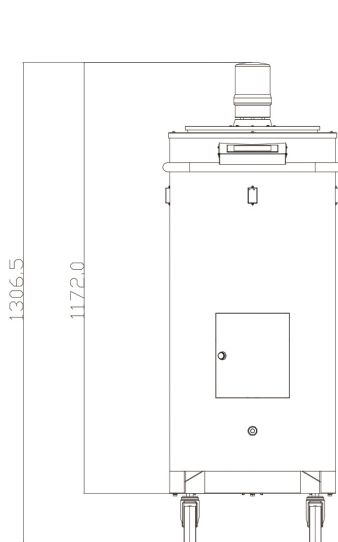
Though there hasn't been any research looking at how UVC affects Covid-19 specifically, studies have shown that it can be used against other coronaviruses, such as Sars. The radiation warps the structure of their genetic material and prevents the viral particles from making more copies of themselves. As a result, a concentrated form of UVC is now on the front line in the fight against Covid-19. In China, whole buses are being lit up by the ghostly blue light each night, while squat, UVC-emitting robots have been cleaning floors in hospitals. Banks have even been using the light to disinfect their money.

**LABORATORY TEST DATA**

Name	100% lethal Dosage (Second)	Name	100% lethal Dosage (Second)
<b>Bacteria</b>			
Dysentery bacilli	0.15	Micrococcus Candidus	0.4 - 1.53
Leptospira SPP	0.2	Salmonella Paratyphi	0.41
Legionella Pneumophila	0.2	Mycobacterium Tuberculosis	0.41
Corynebacterium Diphtheriae	0.25	Streptococcus Haemoliticus	0.45
Shigella Dysenteriae	0.28	Salmonella Enteritidis	0.51
Bacillus Anthracis	0.3	Salmonella Typhimurium	0.53
Clostridium Tetani	0.33	Vibrio Cholerae	0.64
Escherichia coli	0.36	Clostridium Tetani	0.8
Pseudomonas Aeruginosa	0.37	Staphylococcus Albus	1.23

Name	100% lethal Dosage (Second)	Name	100% lethal Dosage (Second)
<b>Virus</b>			
CoxsackieVirus A9	0.08	Echovirus 1	0.73
Adenovirus 3	0.1	Hepatitis BVirus	0.73
Bacteriophage	0.2	Echovirus 11	0.75
Influenza	0.23	Poliovirus 1	0.8
Rotavirus SA 11	0.52	Tobacco Mosaic	16
<b>Mold Spores</b>			
Mucor Mucedo	0.23 - 4.67	Penicillium Roqueforti	0.87 - 2.93
Oospora Lactis	0.33	Penicillium Chrysogenum	2.0 - 3.33
Aspergillus Amstelodami	0.73 - 8.80	Aspergillus Niger	6.67
Penicillium Digitatum	0.87	Manure Fungi	8
<b>Algae</b>			
Chlorella Vulgaris	0.93	Protozoa	4 - 6.70
Green Algae	1.22	Paramecium	7.3
Nematode Eggs	3.4	Blue-Green Algae	10 - 40

**FIXTURE DIMENSIONS**



**APPLICATIONS**

- School & hotels
- Office room
- Casino & entertainment venues
- Dining hall
- Industry warehouse
- Laboratories, hospitals and clinics
- Farms, ranches & trailer parks
- Swimming pool & hot tubs
- Animal husbandry
- Pond & lake reclamation

