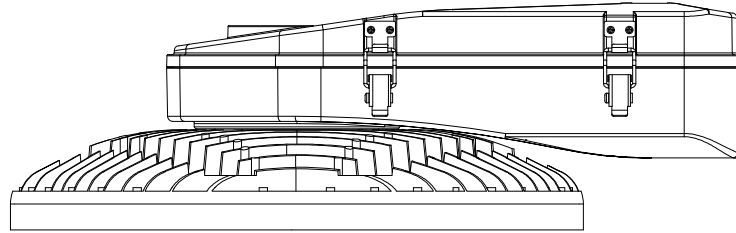


The High Mast Lamp Installation Instruction



Please read the installation manual carefully before installation and keep the manual for future use.



Warning

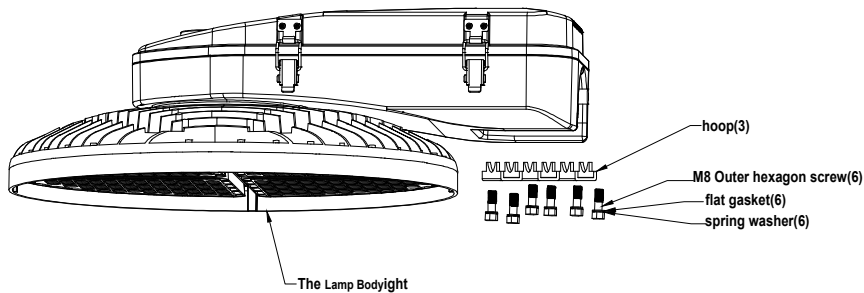
1. Electrician must have related certificates , knowledge and working experience. The work must be assigned to each electrician based on their position and responsibility.
2. The lens of the lamp is PC or glass, which must be handled carefully during installation, otherwise it will be easily scratched and damaged. When the face of the lamp is putting on the ground, it must be protected with soft cloth or other protective materials.
3. Installation must be proceeded when the electricity is shut off , please do not operate if electricity connected.
4. Installation must be proceeded according to related regulations , including the tools and equipments used.
For example: working voltage range , Warning sign , flashing lamp , helmet , and working clothes etc.
5. Please is suitable for high power electricity work when proceed the installation.



Statement

1. The crane used to install the courtyard lamp must come with lifting platform, warning signs and flash lamp etc.
2. Electric power must be cut off before installation or maintenance of High Mast Light.
3. Maintenance must be performed by a professional staff.

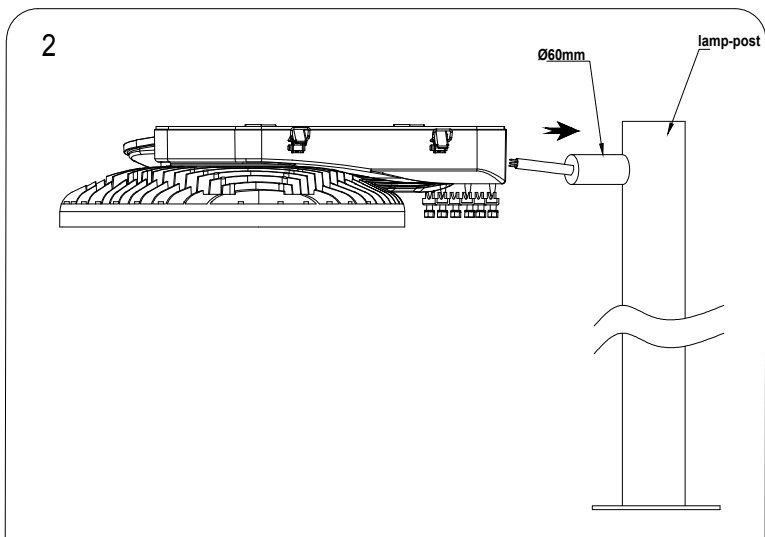
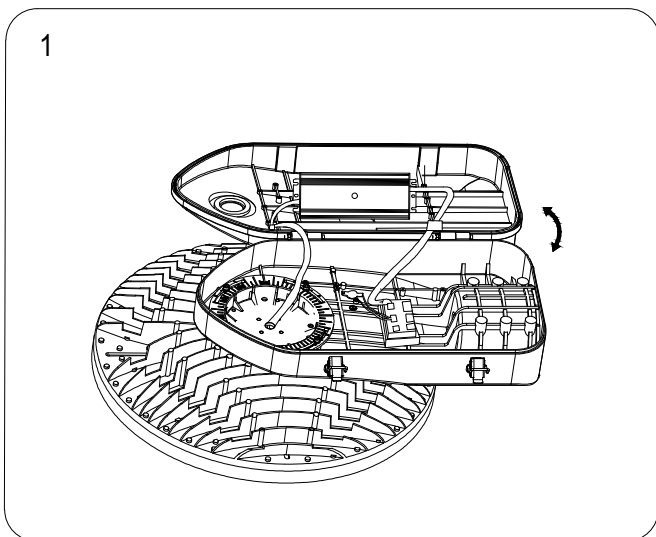
Assembly Parts include introduction



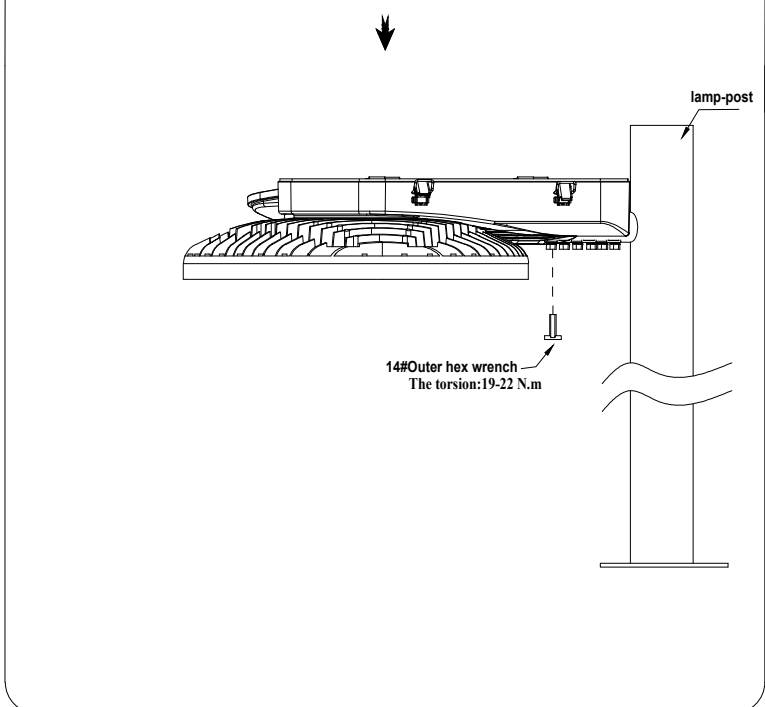
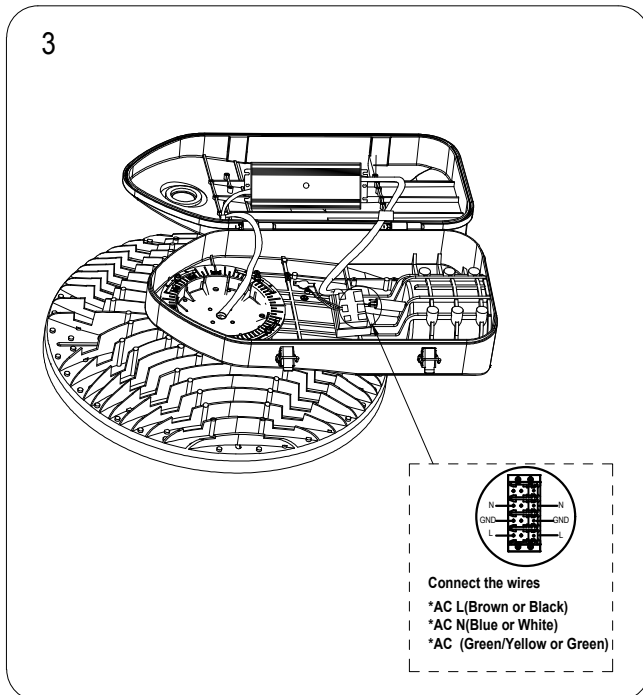
Preparation for installation of the high mast light

Step 1: Loosen the buckle and open the power box

Step 2: Do the wire connections, fix the lamp on th arm of the pole and tighten the screws.



Step 3: connect the wire



Step 4 :Close and tighten the power box and lock the clasp

4

