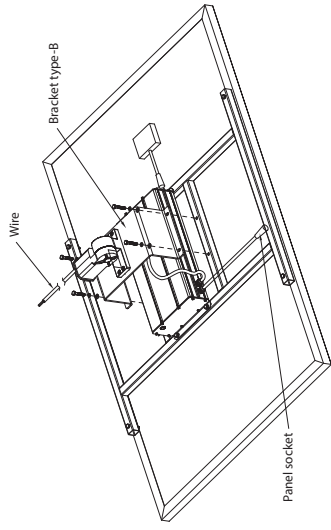
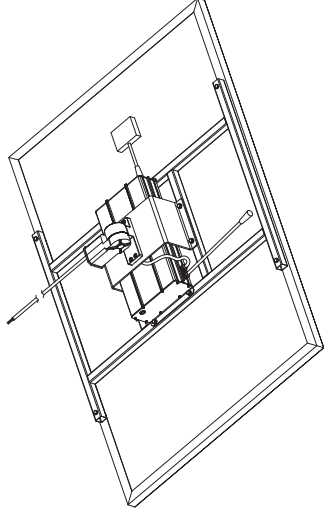


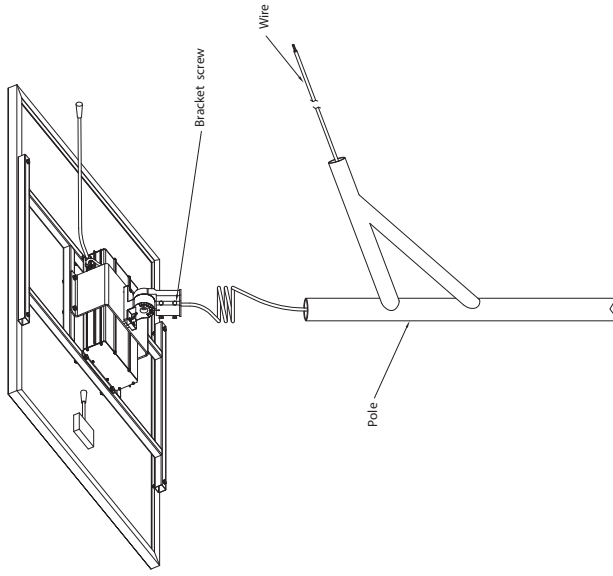
Step 1:
Fix the battery box correspondingly to the hole on the solar panel and fix it with mounting screw M8*4.5 plus flat pad and spring pad.



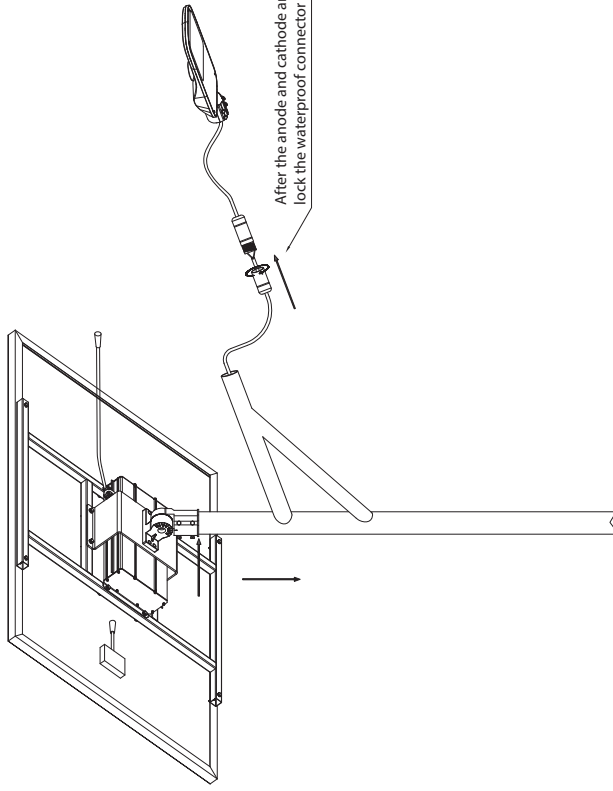
Step 2:
Fix the bracket type-B correspondingly to the hole on the solar panel support with mounting screw M8*4.5 plus flat pad and spring pad.



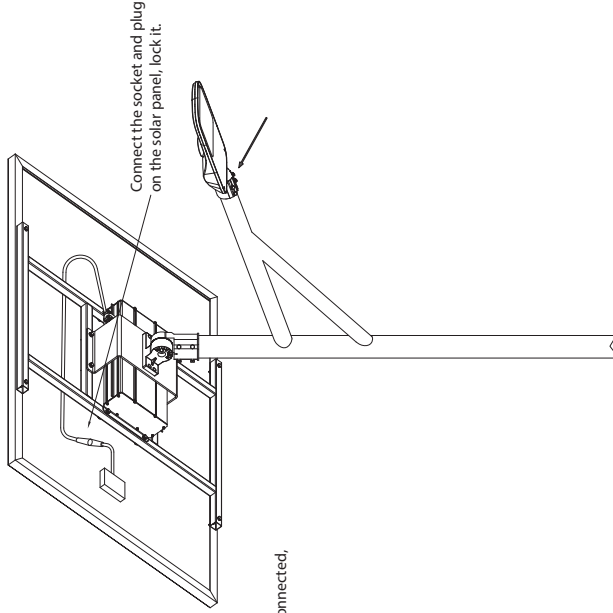
Step 3:
Solar panel and battery box kit assembling is finished.



Step 4:
Hold the assembled solar panel and battery box kit, then pass the wire through the pole, as shown in the upper picture:



Step 5:
1) Fix the solar panel and battery box kit on the pole, then tighten the screw on the panel bracket.
2) Connect the positive and negative stages of the fixture, then slide the fixture into the side pole. Tighten the screw on the bracket of the fixture.



Step 6:
1) Make sure the screw on the bracket of the fixture is tightened.
2) Connect the socket and plug on the solar panel and lock. The installation is finished.